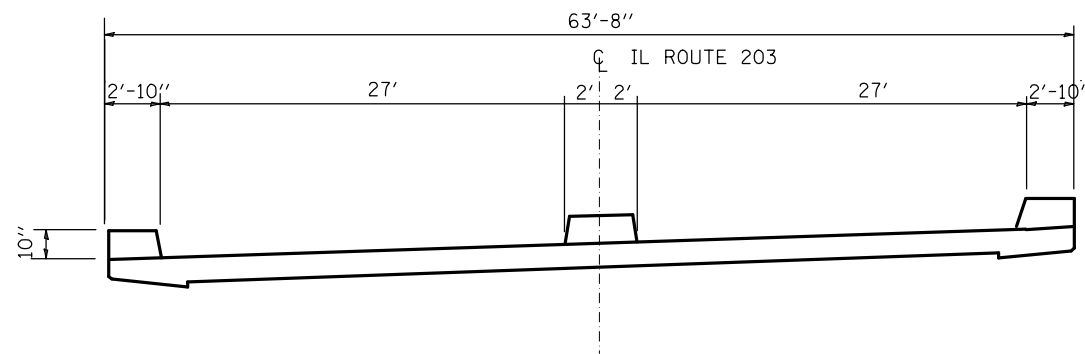


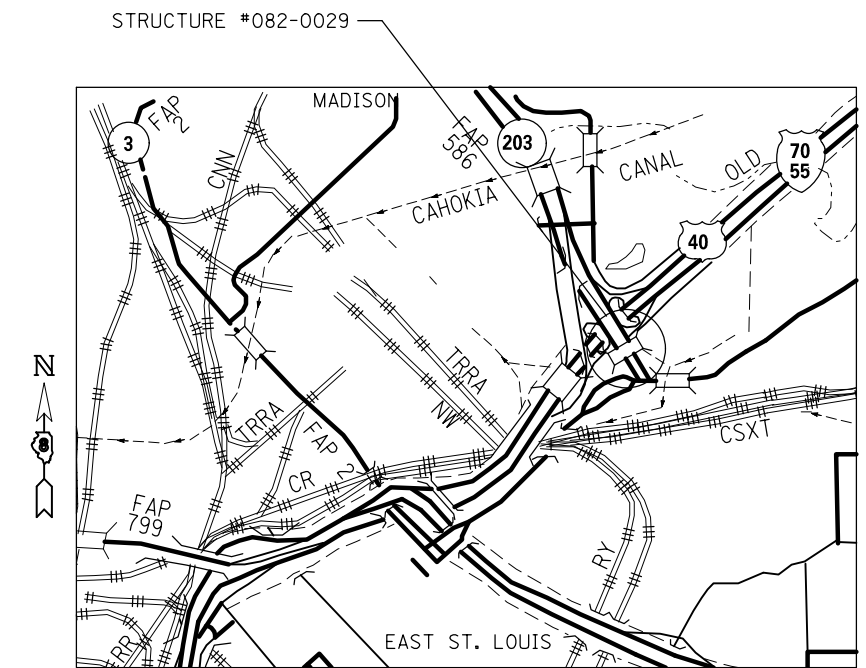
PLAN VIEW

TOTAL BILL OF MATERIALS

ITEM	UNIT	TOTAL
CONCRETE SEALER	SQ FT	8,929



TYPICAL SECTION



LOCATION MAP

FILE NAME =	USER NAME = Burnsideem	DESIGNED -	REVISED -	<b>STATE OF ILLINOIS DEPARTMENT OF TRANSPORTATION</b>	<b>BRIDGE #082-0029 CARRYING IL 203 - 0.1M N OLD US 40 PLAN AND SECTION VIEWS</b>	F.A. RTE.	SECTION	COUNTY	TOTAL SHEETS	SHEET NO.
et:\pw\work\p\dot\burnsideem\d0288219\d0288219-1\76F48-sht-plan1.dgn	DRAWN -	REVISED -	VAR DIST 8 BRIDGE DECK 2012-1			ST. CLAIR	76	12		
PLOT SCALE = 100.0000' / 1in.	CHECKED -	REVISED -	CONTRACT NO. 76F48							
PLOT DATE = 3/23/2012	DATE -	REVISED -	FED. ROAD DIST. NO.			ILLINOIS FED. AID PROJECT				

SCALE: SHEET NO. OF SHEETS STA. TO STA.