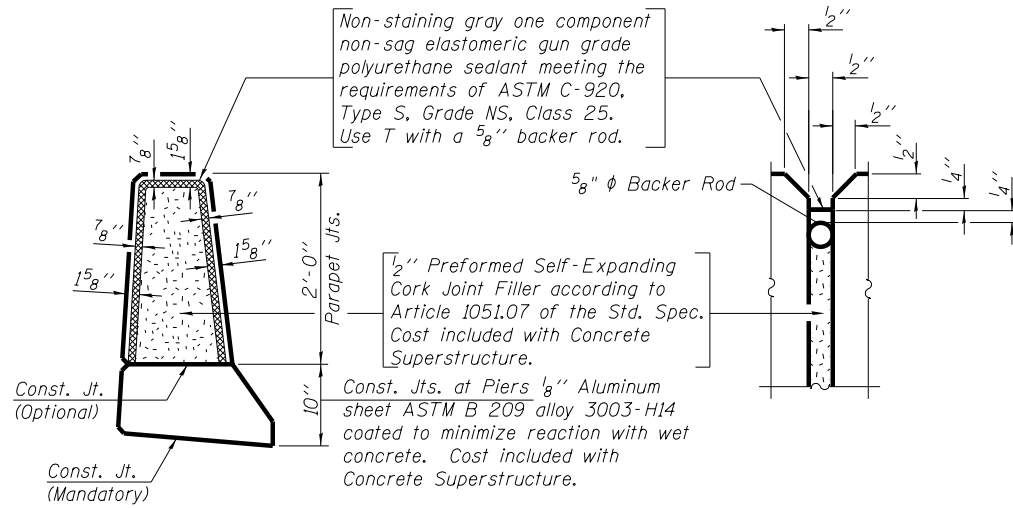


INSIDE ELEVATION OF PARAPET

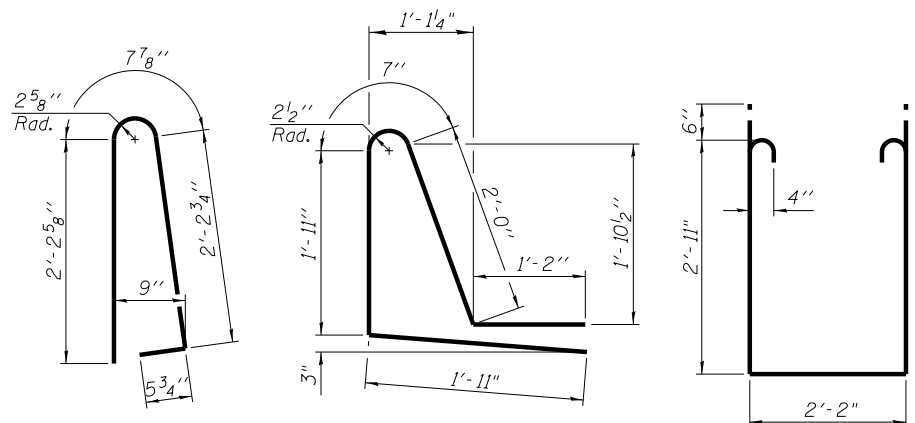
**SUPERSTRUCTURE
 BILL OF MATERIAL**

Bar	No.	Size	Length	Shape
a(E)	252	#5	17'-6"	—
a1(E)	176	#5	16'-10"	—
a2(E)	502	#6	6'-6"	—
a3(E)	252	#5	20'-10"	—
a4(E)	176	#5	20'-2"	—
a5(E)	24	#5	1'-6"	—
b(E)	359	#5	31'-10"	—
b1(E)	78	#6	38'-9"	—
b2(E)	72	#5	17'-7"	—
d(E)	320	#5	5'-7"	⌒
d1(E)	320	#5	7'-7"	⌒
e(E)	64	#4	9'-5"	—
e1(E)	8	#8	9'-5"	—
e2(E)	4	#4	27'-2"	—
e3(E)	4	#8	27'-2"	—
e4(E)	56	#4	13'-5"	—
e5(E)	4	#4	27'-1"	—
e6(E)	4	#8	28'-8"	—
e7(E)	42	#4	17'-2"	—
m(E)	10	#6	21'-0"	—
m1(E)	28	#6	9'-0"	—
m2(E)	10	#6	5'-3"	—
m3(E)	4	#6	2'-5"	—
m4(E)	2	#6	1'-4"	—
m5(E)	10	#6	17'-8"	—
m6(E)	2	#6	3'-8"	—
s(E)	84	#5	6'-10"	⌒
s1(E)	84	#4	9'-0"	⌒
v(E)	80	#5	3'-9"	⌒
Reinforcement Bars, Epoxy Coated		Pound	48790	
Concrete Superstructure		Cu. Yds.	204.2	

Bars indicated thus 1 x 3 - #5 etc. indicates 1 line of bars with 3 lengths per line.



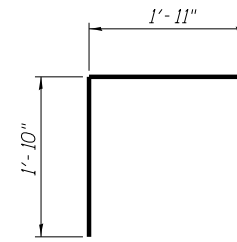
PARAPET JOINT DETAILS



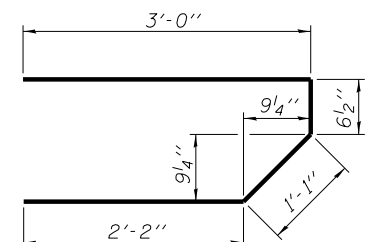
BAR d(E)

BAR d1(E)

BAR s1(E)



BAR v(E)



BAR s(E)

MINIMUM BAR LAP

#4 bar = 2'-0"
 #8 bar = 5'-2"