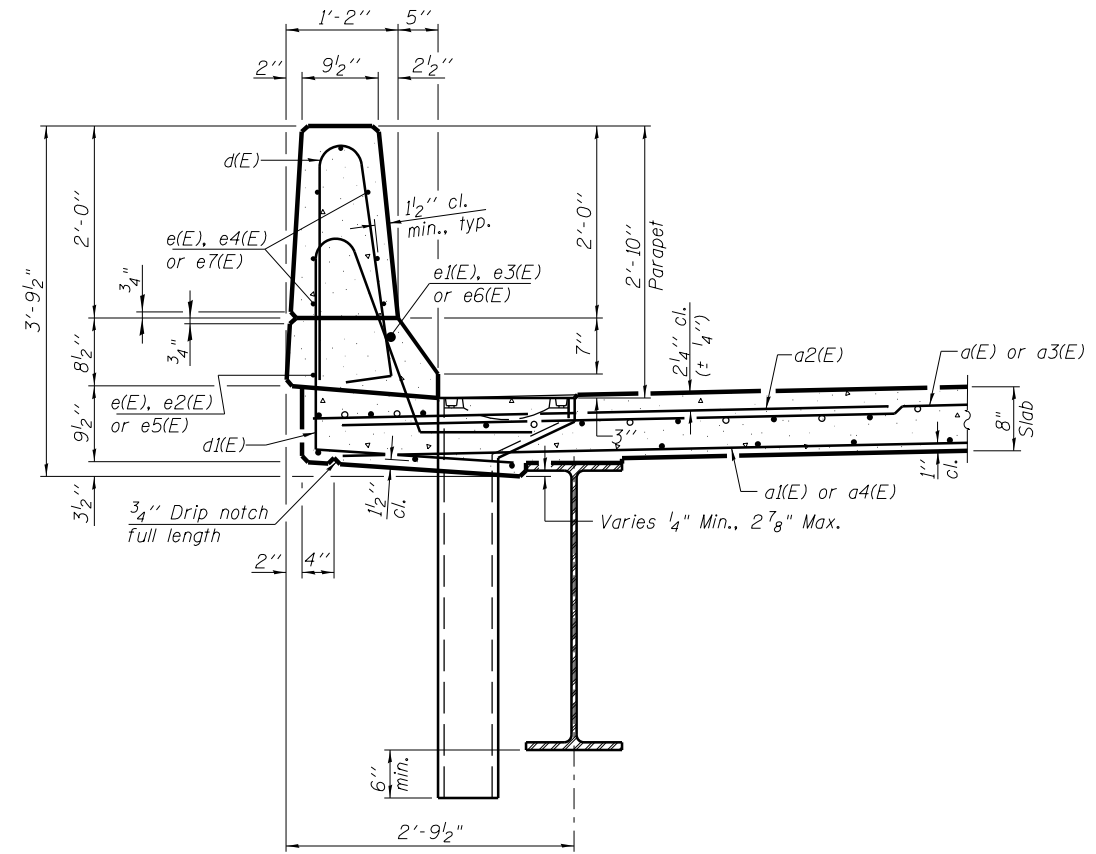
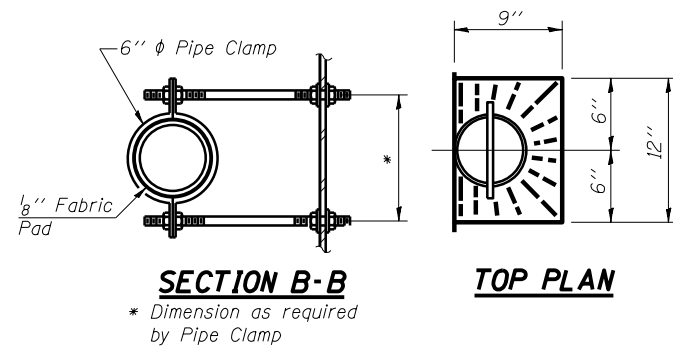


**SECTION THRU PARAPET
SHOWING FLOOR DRAIN INSTALLATION**

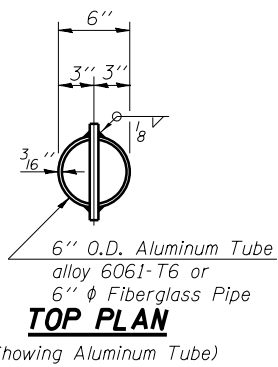


**SECTION THRU PARAPET
SHOWING SCUPPER INSTALLATION**

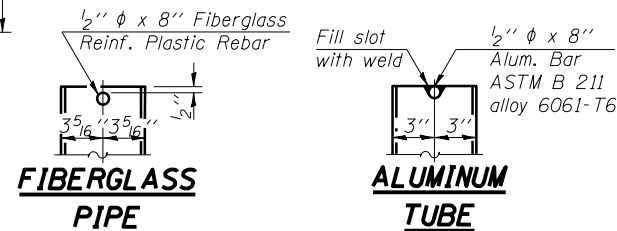


SECTION B-B
* Dimension as required
by Pipe Clamp

TOP PLAN

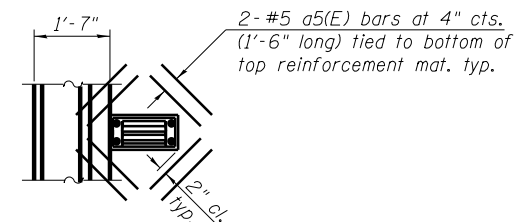


TOP PLAN
(Showing Aluminum Tube)
6" O.D. Aluminum Tube
alloy 6061-T6 or
6" Fiberglass Pipe



**FIBERGLASS
PIPE**

**ALUMINUM
TUBE**



**PLAN - REINFORCEMENT
TREATMENT AT SCUPPERS**

Note:
Cut longitudinal reinforcement to
clear drainage scuppers.

Notes:

The exterior surfaces of the floor drains shall be painted with the finish coat as specified in the special provisions for Cleaning and Painting New Metal Structures. The exterior surfaces of the drains shall be cleaned according to Society of Protective Coatings Spec. SSPC-SPI prior to painting.
Fiberglass pipe shall conform to ASTM D 2996, with short-time rupture strength hoop tensile stress of 30,000 p.s.i. minimum.
Galvanize clamping device according to AASHTO M232. Cost of clamping device and inserts is included with Floor Drains.

FILE NAME = 0760028-78134.dgn	USER NAME = hufm00028	DESIGNED - BDC	REVISIONS -	STATE OF ILLINOIS DEPARTMENT OF TRANSPORTATION	SUPERSTRUCTURE DETAILS (Sheet 2 of 2) STRUCTURE NO. 076-0028	F.A.P. RTE.	SECTION	COUNTY	TOTAL SHEETS	SHEET NO.
PLOT SCALE =	DRAWN - DAB	REVISIONS -	132			103B-1	Pope	52	37	
PLOT DATE = 02/22/2012	CHECKED - TEH	REVISIONS -	CONTRACT NO. 78134							
						ILLINOIS FED. AID PROJECT				