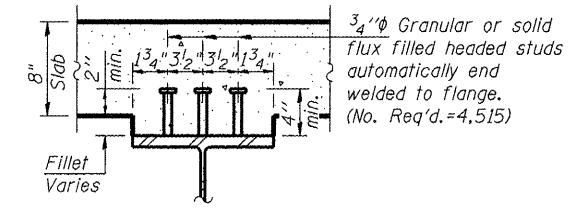
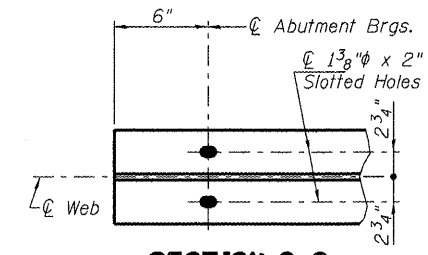


**FRAMING PLAN**

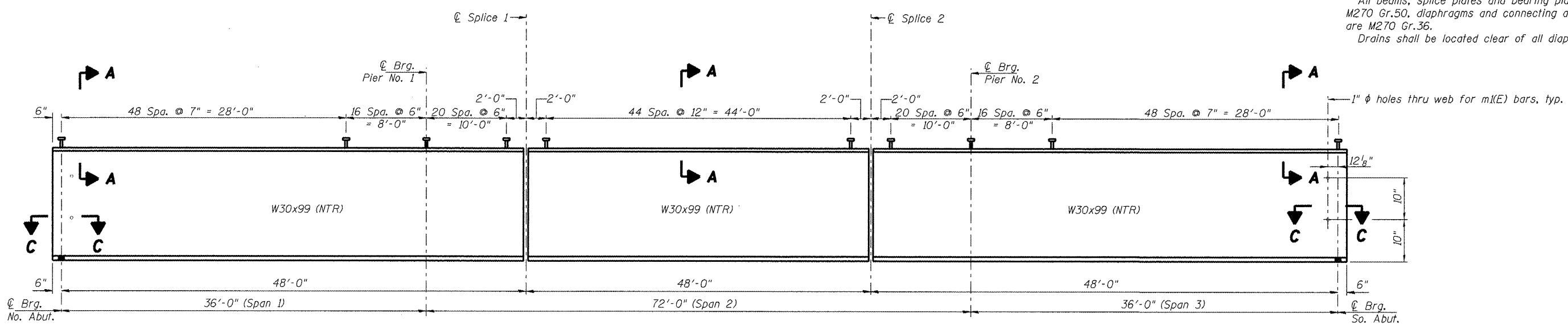


**SECTION A-A**



**SECTION C-C**

**Notes:**  
 All cross frames or diaphragms shall be installed as steel is erected and secured with erection pins and bolts except as otherwise noted. Individual cross frames or diaphragms at supports may be temporarily disconnected to install bearing anchor rods.  
 Load carrying components designated "NTR" shall conform to the Impact Testing Requirements, Zone 2.  
 All beams, splice plates and bearing plates are M270 Gr.50, diaphragms and connecting angles are M270 Gr.36.  
 Drains shall be located clear of all diaphragms.



**GIRDER ELEVATION**

FILE NAME = 0760028-78134.dgn	USER NAME = hufm00028	DESIGNED - BDC	REVISIONS -	<b>STATE OF ILLINOIS DEPARTMENT OF TRANSPORTATION</b>	<b>STRUCTURAL STEEL STRUCTURE NO. 076-0028</b>	F.A.P. RTE. 132	SECTION 1038-1	COUNTY Pope	TOTAL SHEETS 52	SHEET NO. 43	
PLOT SCALE =	DRAWN - DAB	CHECKED - MNM	REVISIONS -			<b>CONTRACT NO. 78134</b>					
PLOT DATE = 04/24/2012	DRAWN - DAB	CHECKED - TEH	REVISIONS -			ILLINOIS FED. AID PROJECT					
						SHEET NO. 19 OF 28 SHEETS					