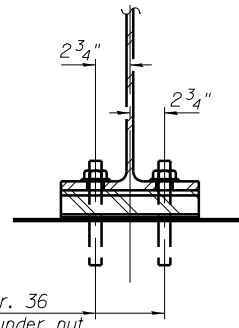


ELEVATION AT ABUTMENT

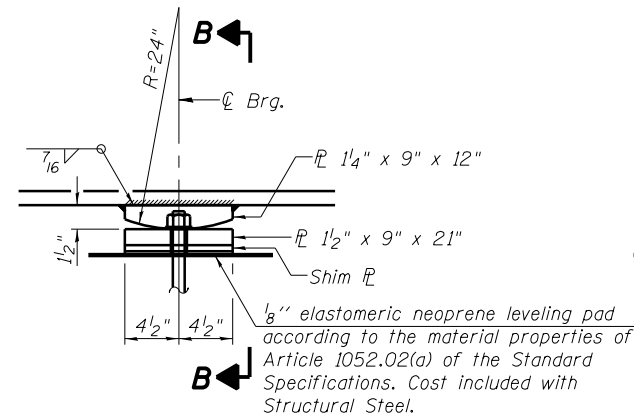
INTEGRAL ABUTMENT FIXED BEARING DETAILS

1/8" elastomeric neoprene leveling pad according to the material properties of Article 1052.02(a) of the Standard Specifications. Cost included with Structural Steel.

1" ϕ x 12" anchor bolts F1554 Gr. 36 with 2 1/4" x 2 1/4" x 5/16" PL washer under nut. 1 3/8" x 2" slotted hole in flange. 1 1/2" ϕ holes in bearing plate.

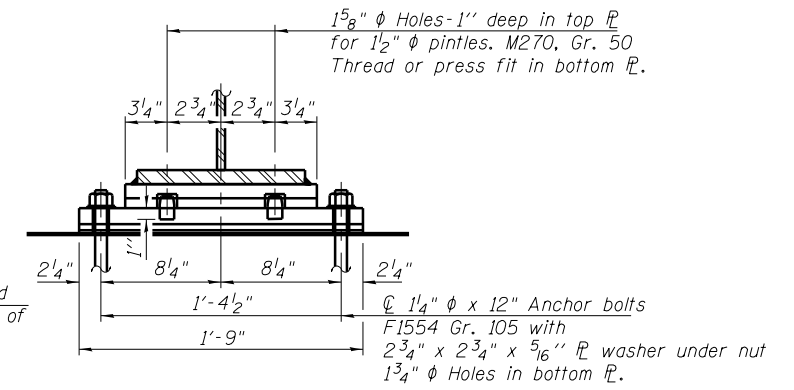


SECTION A-A

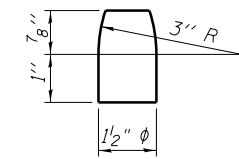


ELEVATION AT PIER

FIXED PIER BEARING DETAILS



SECTION B-B



PINTLE

BEARING SHIM PLATE TABLE

Location	Beam No.	Plate Size
Pier No. 1	B-5	PL 5/16" x 9" x 21"
Pier No. 1	B-6	PL 5/8" x 9" x 21"
Pier No. 2	B-4	PL 1/4" x 9" x 21"
So. Abut.	B-4	PL 1/4" x 9" x 10 1/2"

The above tabled shims are required shims, and should have no effect on the total number of adjusting shims that are to be provided.

Notes:

Anchor bolts shall be ASTM F1554 all-thread (or an Engineer-approved alternate material) of the grade(s) and diameter(s) specified. The corresponding specified grade of AASHTO M314 anchor bolts may be used in lieu of ASTM F1554.

Anchor bolts may be either cast in place or installed in holes drilled after the supported member is in place. Drilled and set anchor bolts shall be installed according to Article 521.06 of the Standard Specifications.

Steel members required for the bearing assembly shall be included in the cost of Structural Steel.

Two 1/8 in. adjusting shims shall be provided for each bearing in addition to all other plates or shims and placed as shown on bearing details.

The anchor bolt lengths shown are the required total lengths for cast-in-place headed anchor bolts. The required total length for the sealed capsule alternate anchor bolt shall be according to the manufacturer's recommendations.

The structural steel plates and pintles of the Bearing Assembly shall conform to the requirements of AASHTO M270 Grade 50.

The anchor bolt sizes and grades shown constitute a calculated seismic structural fuse. Substitution of higher diameter and/or grade anchor bolts will not be allowed.

BILL OF MATERIAL

Item	Unit	Total
Anchor Bolts, 1"	Each	28
Anchor Bolts, 1 1/4"	Each	28