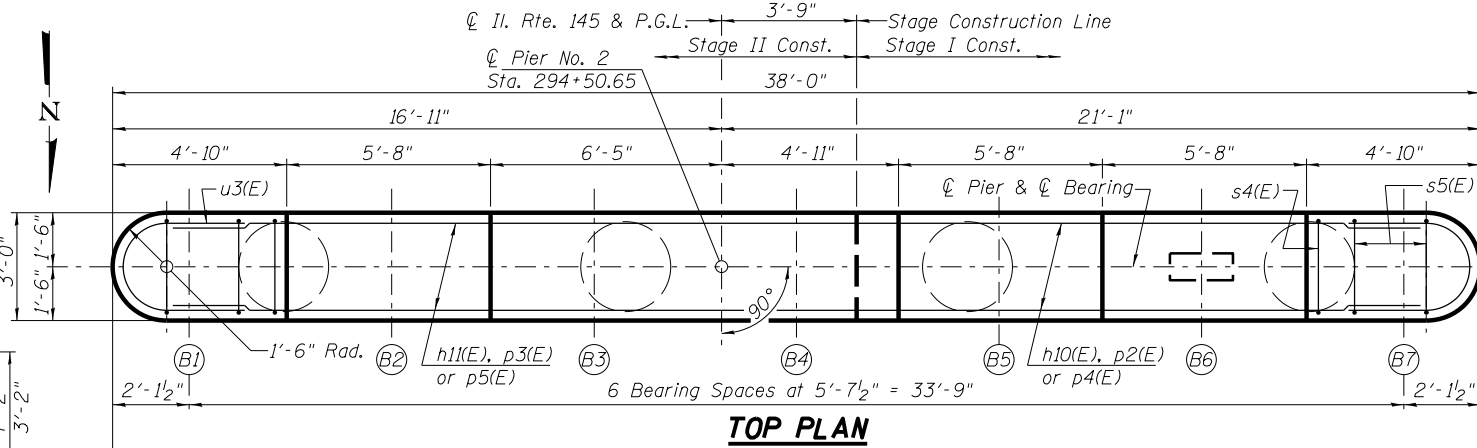
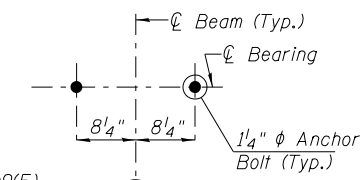


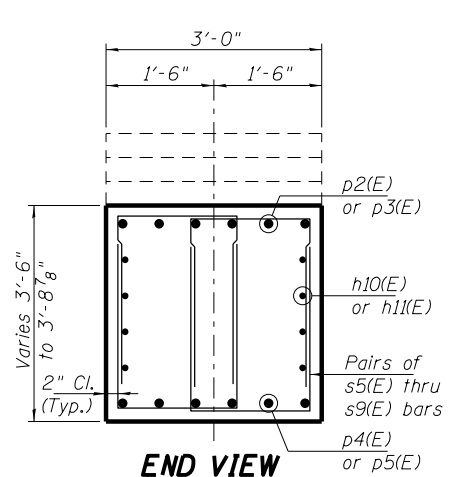
SECTION D-D



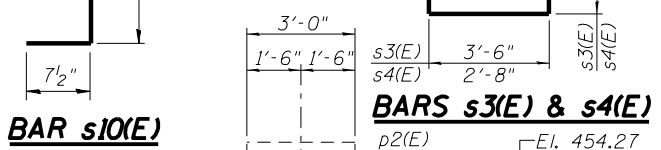
TOP PLAN



ANCHOR BOLT LAYOUT
(Typical all Girder Locations)

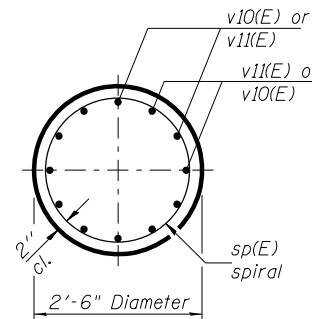


END VIEW

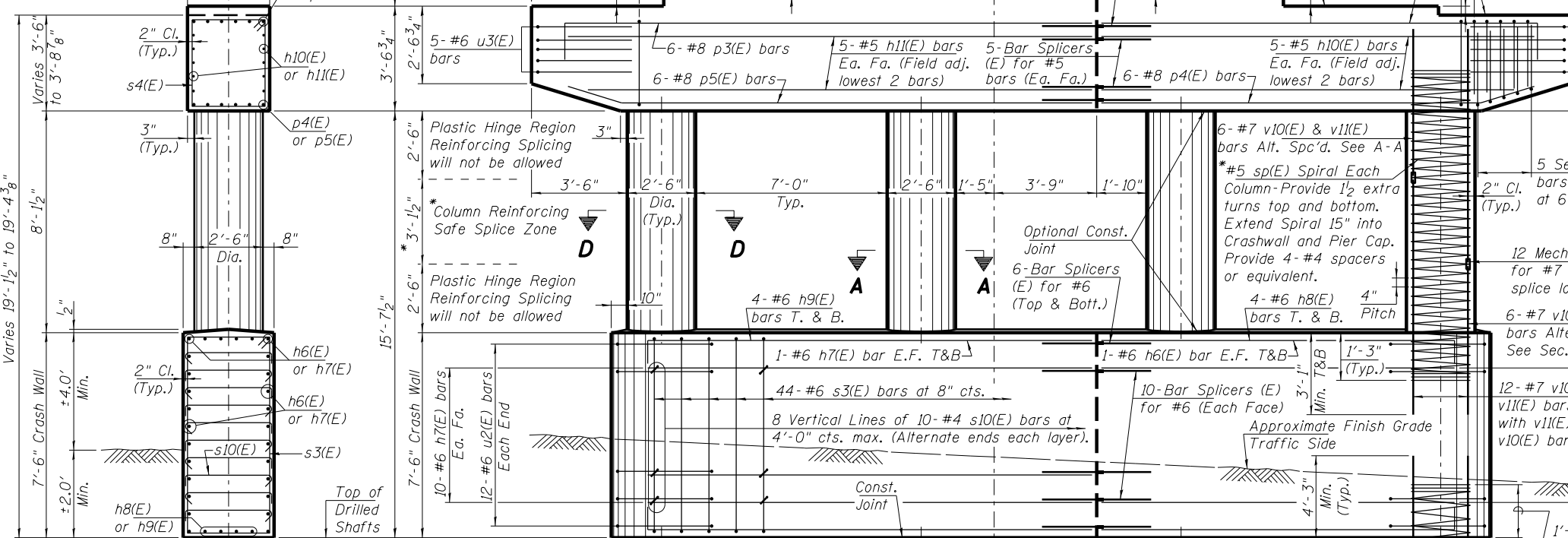


BARS s3(E) & s4(E)

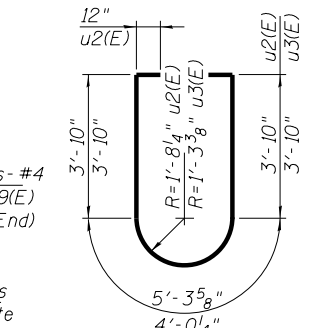
BAR s10(E)



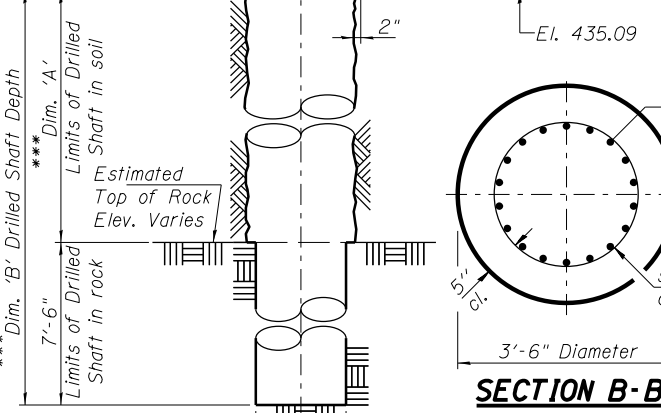
SECTION A-A



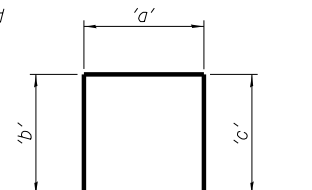
ELEVATION
(Looking South)



BARS u2(E) & u3(E)



SECTION B-B



BARS h8(E), h9(E), p2(E), p3(E), s5(E), s6(E), s7(E), s8(E) or s9(E)



SECTION C-C

***	DS-5	DS-6	DS-7	DS-8
Rock El.	429.0	427.7	426.3	425.0
Dim. 'A'	6.09	7.39	8.79	10.09
Dim. 'B'	13.59	14.89	16.29	17.59
Reinf.	sp5 & v12	sp1 & v6	sp3 & v8	sp6 & v13

***The quantities and reinforcement detailing are based on the top of shaft and the estimated top of rock elevations shown and may change based on the actual top of rock encountered at each shaft and the final top of shaft elevation.

***When Splicing of Spiral Reinforcement is necessary, the spirals shall be provided with 1/2 extra turns at the ends to be spliced. These additional turns shall either be welded together according to AWS D1.4, or shall both terminate with a 135° standard hook.

BILL OF MATERIAL

Bar	No.	Size	Length	Shape
h6(E)	24	#6	12'-7"	—
h7(E)	24	#6	15'-11"	—
h8(E)	8	#6	14'-11"	—
h9(E)	8	#6	18'-3"	—
h10(E)	10	#5	15'-8"	—
h11(E)	10	#5	19'-0"	—
p2(E)	6	#8	17'-0"	—
p3(E)	6	#8	20'-4"	—
p4(E)	6	#8	15'-9"	—
p5(E)	6	#8	19'-1"	—
s3(E)	44	#6	22'-8"	—
s4(E)	61	#4	12'-5"	—
s5(E)	8	#4	7'-6"	—
s6(E)	8	#4	7'-4"	—
s7(E)	8	#4	7'-2"	—
s8(E)	8	#4	7'-0"	—
s9(E)	8	#4	6'-10"	—
s10(E)	80	#4	4'-6"	—
sp(E)	4	#5	10'-8"	—
sp1	1	#6	16'-8"	—
sp3	1	#6	18'-0"	—
sp5	1	#6	15'-4"	—
sp6	1	#6	19'-4"	—
u2(E)	24	#6	15'-0"	—
u3(E)	10	#6	11'-8"	—
v10(E)	48	#7	6'-2"	—
v11(E)	48	#7	8'-2"	—
v6	18	#10	19'-2"	—
v8	18	#10	20'-6"	—
v12	18	#10	17'-10"	—
v13	18	#10	21'-10"	—
Structure Excavation		Cu. Yd.	29	
Concrete Structures		Cu. Yd.	54.7	
Reinforcement Bars		Pound	8910	
Reinforcement Bars, Epoxy Coated		Pound	8500	
Drilled Shaft in Soil		Cu. Yd.	12.0	
Drilled Shaft in Rock		Cu. Yd.	8.0	

Cast steps monolithically with cap. Space cap reinforcement to miss anchor bolts. **Length is height of spiral. For Stage Construction Details, See Sheet 4 of 28.

MIN. BAR LAP
#4 BAR = 2'-7"