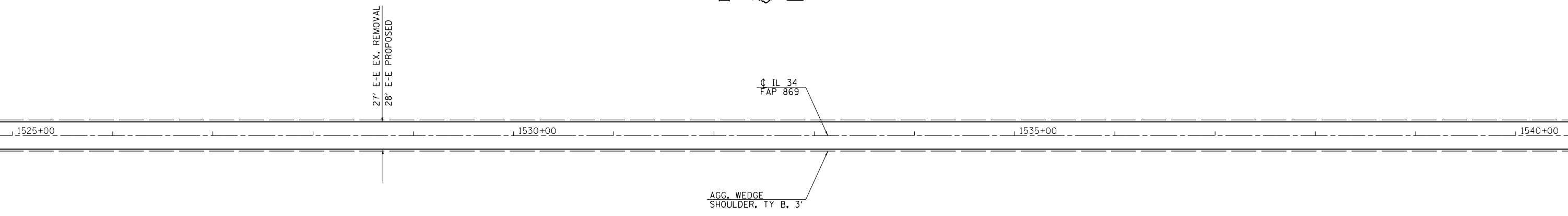
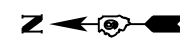


\*NOTE: ALL ENTRANCES SHALL BE MANTAINED OPEN AT ALL TIMES



|  |                              |            |           |
|--|------------------------------|------------|-----------|
| FILE NAME =  | USER NAME = \$USER*          | DESIGNED - | REVISED - |
| et:\pwork\pwork\kellykd\0290960\78290-sht-plan.dgn |                              | DRAWN -    | REVISED - |
|  | PLOT SCALE = 100.0000' / in. | CHECKED -  | REVISED - |
|  | PLOT DATE = 3/23/2012        | DATE -     | REVISED - |

**STATE OF ILLINOIS  
DEPARTMENT OF TRANSPORTATION**

**PLAN IL 34**

SCALE: SHEET OF SHEETS STA. TO STA.

| F.A.P. RTE.               | SECTION | COUNTY | TOTAL SHEETS | SHEET NO.                 |
|---------------------------|---------|--------|--------------|---------------------------|
| 869                       | 105R-1  | SALINE | 26           | 16                        |
|                           |         |        |              | <b>CONTRACT NO. 78290</b> |
| ILLINOIS FED. AID PROJECT |         |        |              |                           |