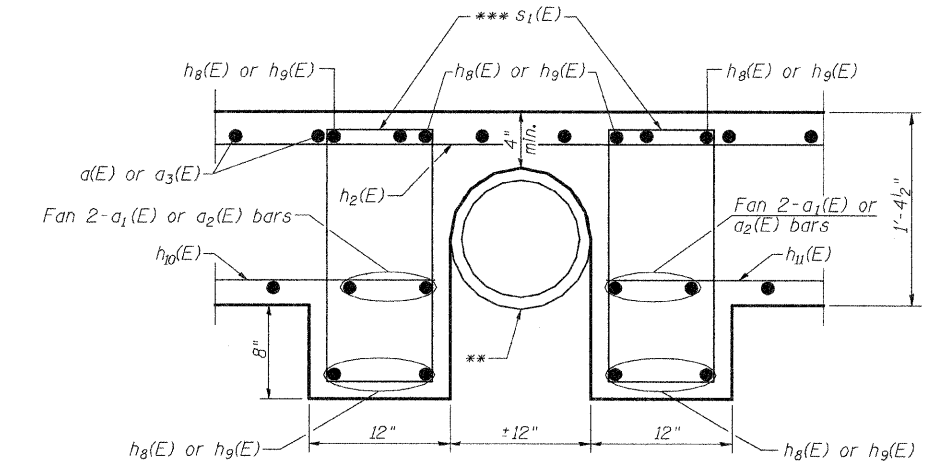


	A	B	C
NW	12'-0 7/8"	8'-0 3/8"	4'-0 1/2"
NE	12'-10 1/2"	8'-5"	4'-5 1/2"
SW	12'-1 1/4"	8'-0 3/4"	4'-0 1/2"
SE	12'-10 3/4"	8'-5 1/4"	4'-5 1/2"

- 39- #4 v(E) bars at 9" cts. West Exterior Wall
- 39- #4 v1(E) bars at 9" cts. West Interior Wall
- 39- #4 v2(E) bars at 9" cts. East Interior Wall
- 39- #4 v3(E) bars at 9" cts. East Exterior Wall

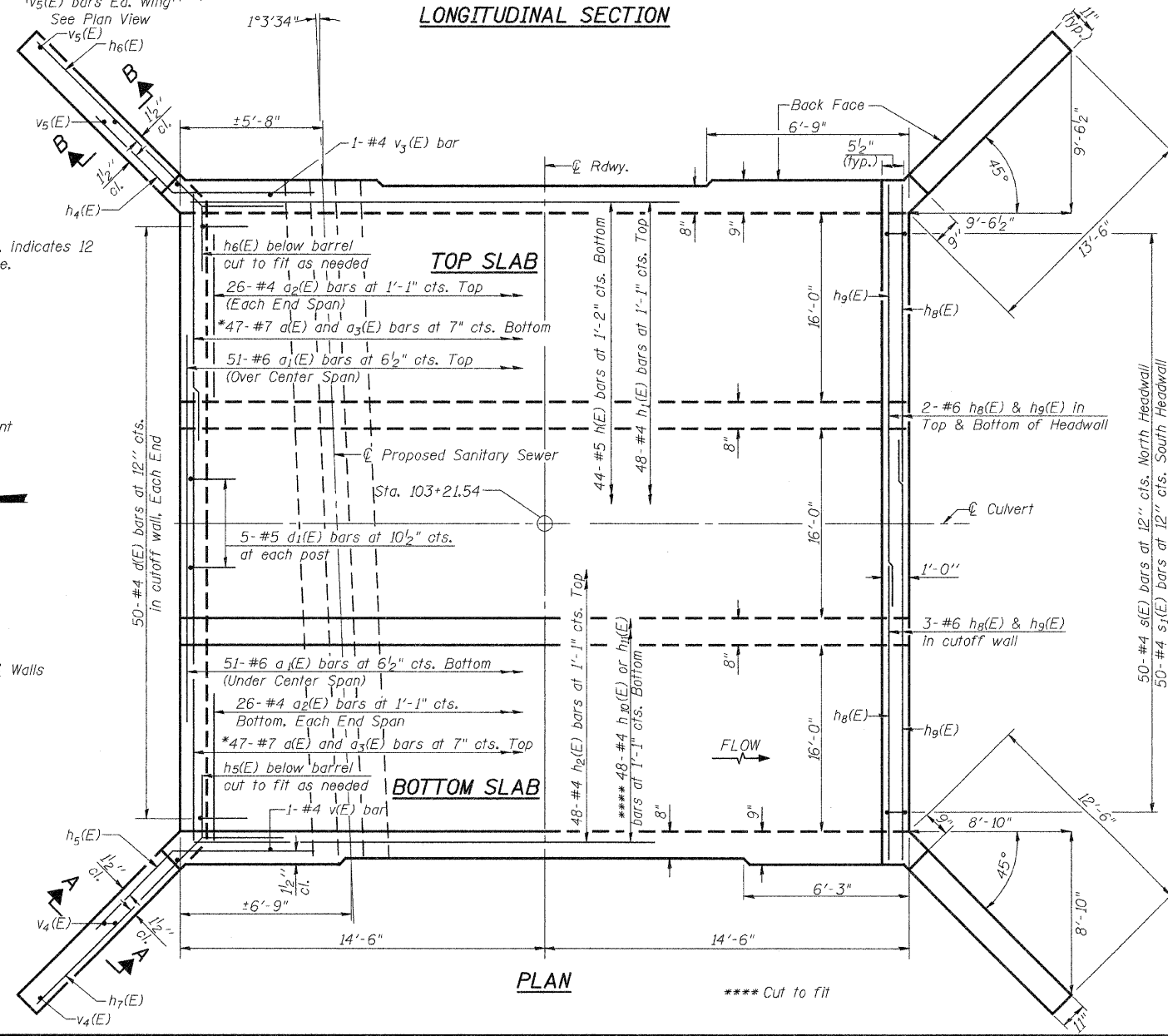
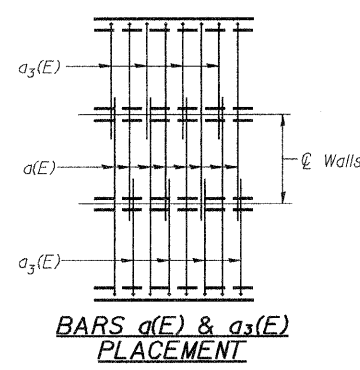
- 9- #5 h3(E) bars at 9 1/2" cts. West Exterior Wall
- 9- #5 h3(E) bars at 9 1/2" cts. West Interior Wall
- 9- #5 h3(E) bars at 10" cts. East Interior Wall
- 10- #5 h3(E) bars at 9 1/2" cts. East Exterior Wall



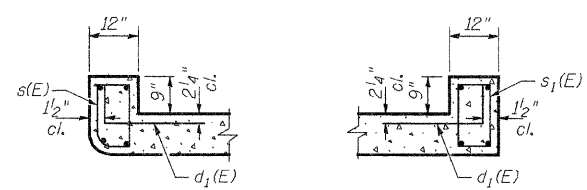
MIN. BAR LAP
 #6 = 3'-0"
 #7 = 3'-11"

Notes:
 Bars indicated thus 12x4- #5 etc. indicates 12 lines of bars with 4 lengths per line.

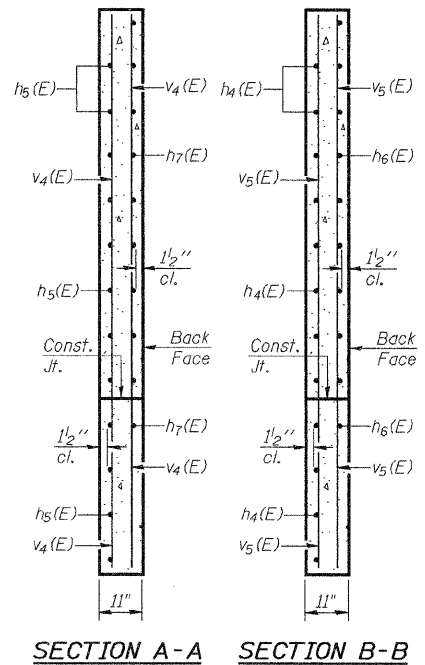
* Alternate Bar Placement (See Below)



Proposed sanitary sewer.
 ** See special provisions.
 *** 50- #4 s1(E) bars at 12" cts. along sanitary sewer



HEADWALL DETAIL
 The headwalls will extend for the full length of the slab. They will not end at the intersection of the headwall and wingwall.



CULVERT DETAILS

SHEET NO. 2	RTE.	SECTION	COUNTY	TOTAL SHEETS	SHEET NO.
5 SHEETS	DIVISION ST.	11-00692-00-DR	LA SALLE	15	10
	S.N. 050-8025		CONTRACT NO. 87521		
	FED. ROAD DIST. NO. 7	ILLINOIS	FED. AID PROJECT BRM-5066(017)		