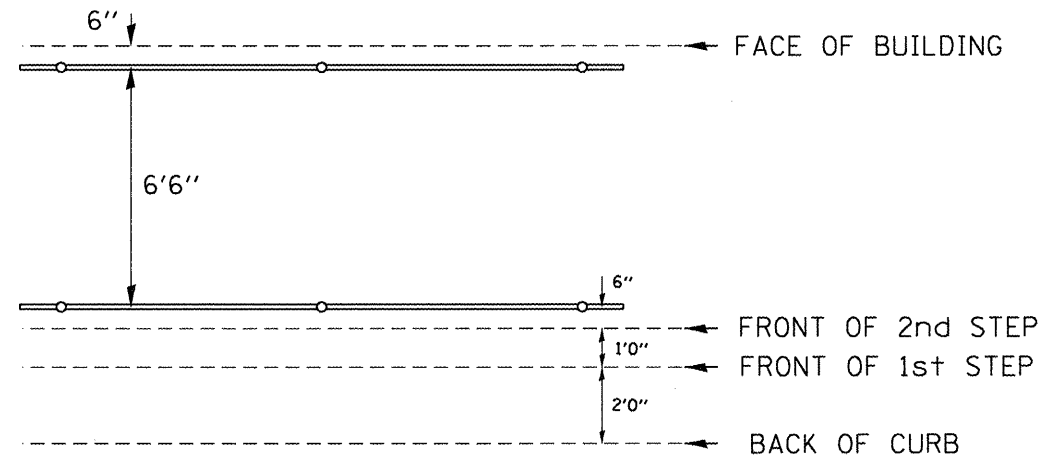


\* THESE ARE THE ELEVATIONS AT THE BACK OF SIDEWALK

ELEVATION VIEW: BOTH SIDES  
(LOOKING NORTH)



PLAN VIEW

NOTE: ALL DIMENSIONS ARE TO CENTER OF POST/RAIL.

FILE NAME = miscsheets.dgn	USER NAME = harsdkj	DESIGNED -	REVISED -	<b>STATE OF ILLINOIS DEPARTMENT OF TRANSPORTATION</b>	<b>PIPE HANDRAIL DETAILS</b>			F.A.P. RTE.	SECTION	COUNTY	TOTAL SHEETS	SHEET NO.
	PLOT SCALE = 5.0000' / 1" =	DRAWN -	REVISED -		<b>US 24 STA. 926 + 94.50 TO STA. 926 + 79 RT</b>			317	16W-1, RS-3	FULTON	347	165
PLOT DATE = 3/20/2012	CHECKED -	REVISED -	SCALE: SHEET NO. OF SHEETS STA. TO STA.			<b>CONTRACT NO. 88795</b>			ILLINOIS FED. AID PROJECT			
	DATE -	REVISED -										