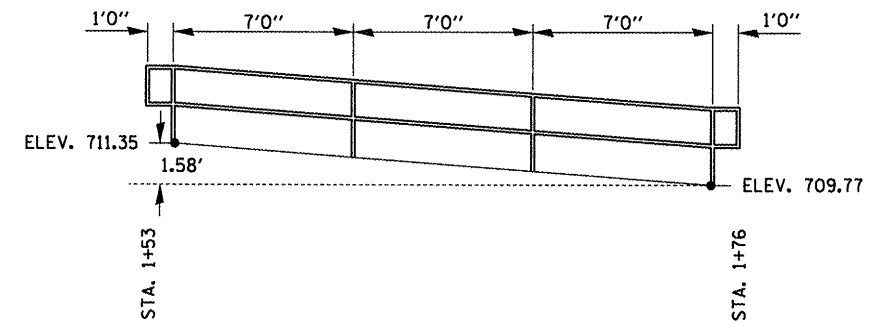
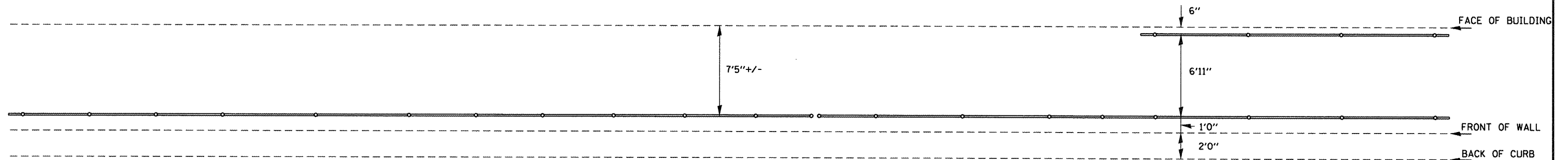


ELEVATION VIEW: FACE OF NORTH RAIL
(LOOKING SOUTH)



ELEVATION VIEW: FACE OF SOUTH RAIL
(LOOKING SOUTH)



PLAN VIEW

NOTE: ALL DIMENSIONS ARE TO CENTER OF POST/RAIL.

FILE NAME = miscsheets.dgn	USER NAME = dickhausen	DESIGNED -	REVISED -	STATE OF ILLINOIS DEPARTMENT OF TRANSPORTATION	PIPE HANDRAIL DETAILS			F.A.P. RTE.	SECTION	COUNTY	TOTAL SHEETS	SHEET NO.
		DRAWN -	REVISED -		US 24 STA. 0+68 TO STA. 1+76 LT			317	16W-1, RS-3	FULTON	347	166
	PLOT SCALE = 7.5888' / 1" =	CHECKED -	REVISED -		SCALE:	SHEET NO.	OF SHEETS	STA.	TO STA.	CONTRACT NO. 88795		
	PLOT DATE = 2/23/2012	DATE -	REVISED -		ILLINOIS FED. AID PROJECT							