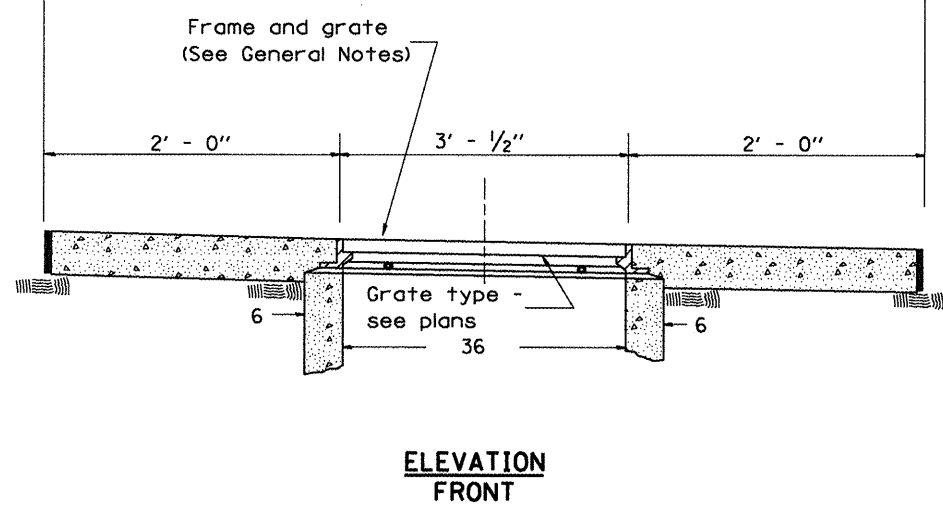


GENERAL NOTES

1. Inlet construction shall be in accordance with Section 602 of the Standard Specifications.
2. See Frame and Grates for Inlet, Special Detail.



All dimensions are in inches unless otherwise noted.

STATE OF ILLINOIS DEPARTMENT OF TRANSPORTATION		INLET, SPECIAL		TOTAL SHEET NO. 347 / 70	
NOT TO SCALE		CONTRACT NO. 88795		FED. ROAD DIST. NO. ILLINOIS FED. AID PROJECT	