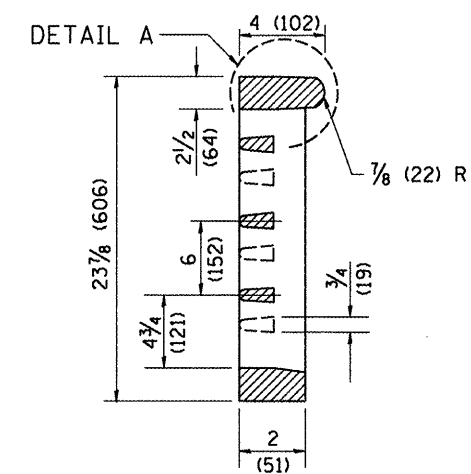
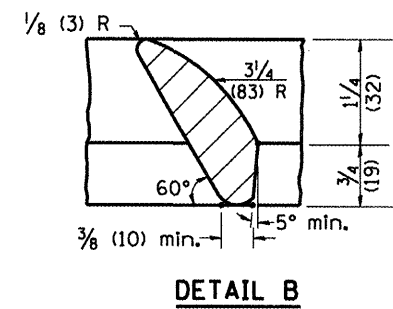
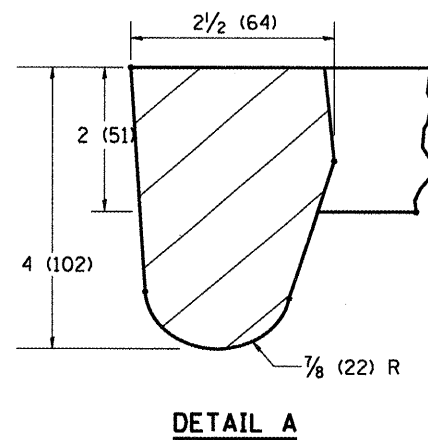
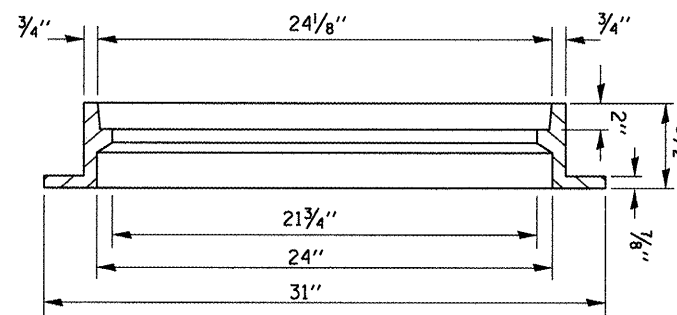


CAST VANE GRATES
(SPECIFY LEFT OR RIGHT FLOW)
230 lbs. (104 KG)



All dimensions are in inches (millimeters) unless otherwise noted.

STATE OF ILLINOIS
DEPARTMENT OF TRANSPORTATION

FRAME AND GRATE FOR INLET, SPECIAL

NOT TO SCALE

F.A.P. RTE.	SECTION	COUNTY	TOTAL SHEETS	SHEET NO.
317	16W-1, RS-3	FULTON	347	171
			CONTRACT NO. 88795	
FED. ROAD DIST. NO.		ILLINOIS FED. AID PROJECT		