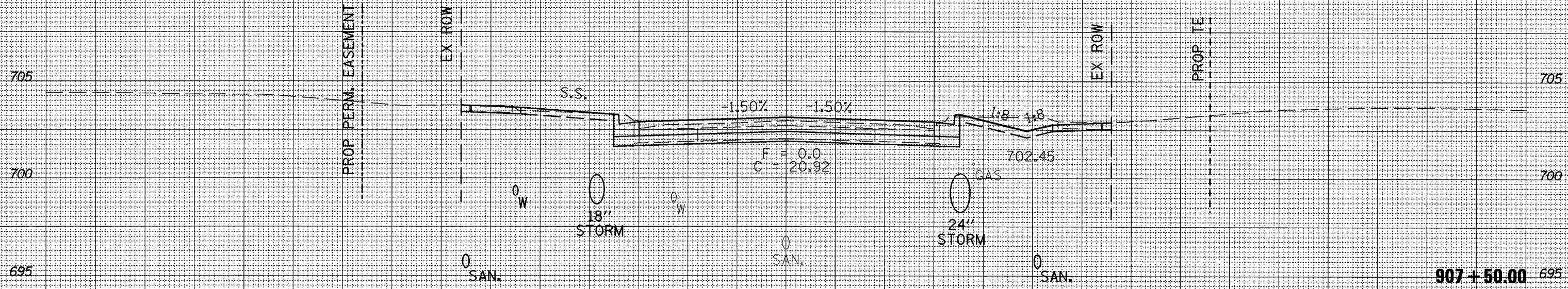
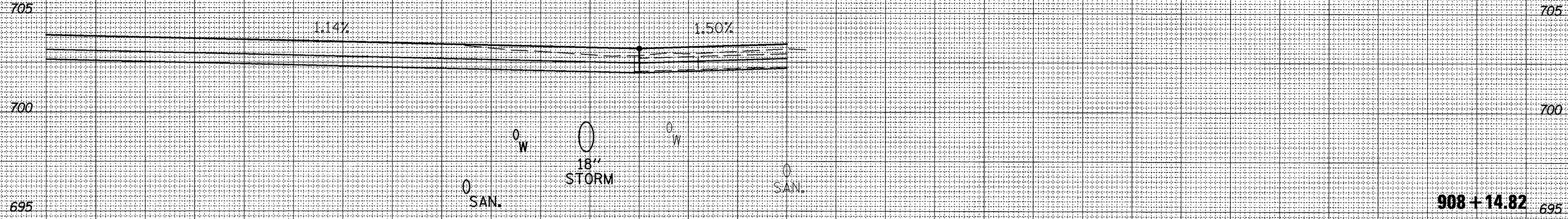


75 70 65 60 55 50 45 40 35 30 25 20 15 10 5 0 5 10 15 20 25 30 35 40 45 50 55 60 65 70 75

JEFFERSON STREET



75 70 65 60 55 50 45 40 35 30 25 20 15 10 5 0 5 10 15 20 25 30 35 40 45 50 55 60 65 70 75

FILE NAME =
xsect_sht.dgn

USER NAME = horstkj
PLOT SCALE = 10.0457' / in.
PLOT DATE = 3/21/2012

DESIGNED -	REVISED -
DRAWN -	REVISED -
CHECKED -	REVISED -
DATE -	REVISED -

**STATE OF ILLINOIS
DEPARTMENT OF TRANSPORTATION**

CROSS SECTIONS

SCALE: SHEET NO. OF SHEETS STA. 907+50.00 TO STA. 908+14.82

F.A.P. RTE.	SECTION	COUNTY	TOTAL SHEETS	SHEET NO.
317	16W-1,RS-3	FULTON	347	263
CONTRACT NO. 88795			ILLINOIS FED. AID PROJECT	