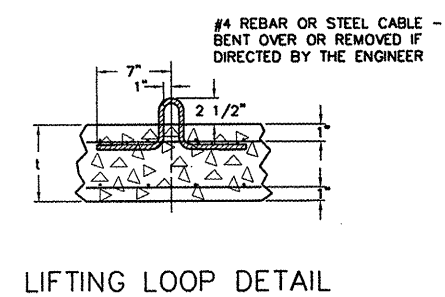


SECTION A-A

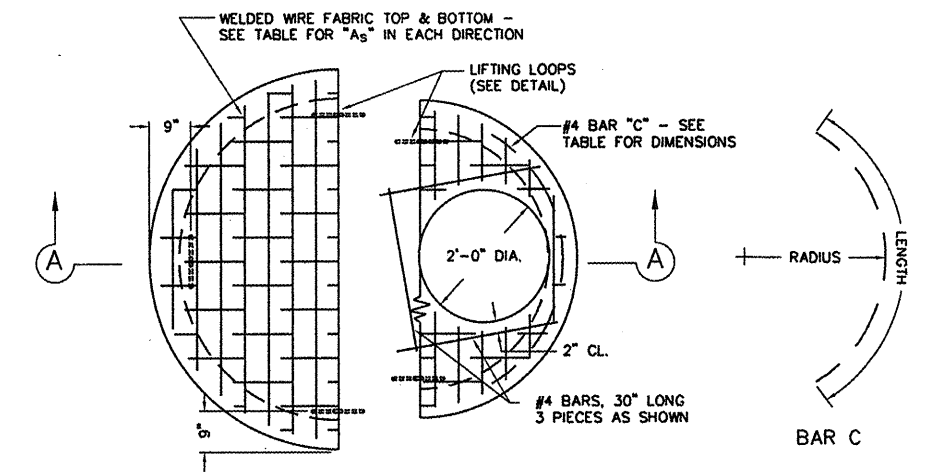
SECTION B-B



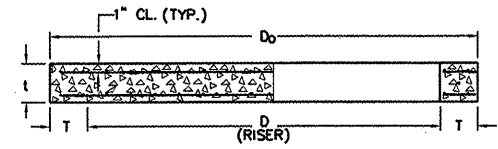
LIFTING LOOP DETAIL

DIAMETER OF MAIN SEWER	D	T	D _b	t	REINFORCEMENT		BAR "C"	
					A _s W W F	F.A. DIRECTION	LENGTH	RADIUS
18" OR LESS	4'-0"	5"	4'-10"	6"	.70 SQ. IN./LIN. FT.	4'-6"	2'-2"	
21" TO 42"	5'-0"	6"	6'-0"	8"	.70 SQ. IN./LIN. FT.	5'-0"	2'-8"	
AS SPECIFIED	6'-0"	6"	7'-0"	8"	1.06 SQ. IN./LIN. FT.	6'-0"	3'-2"	

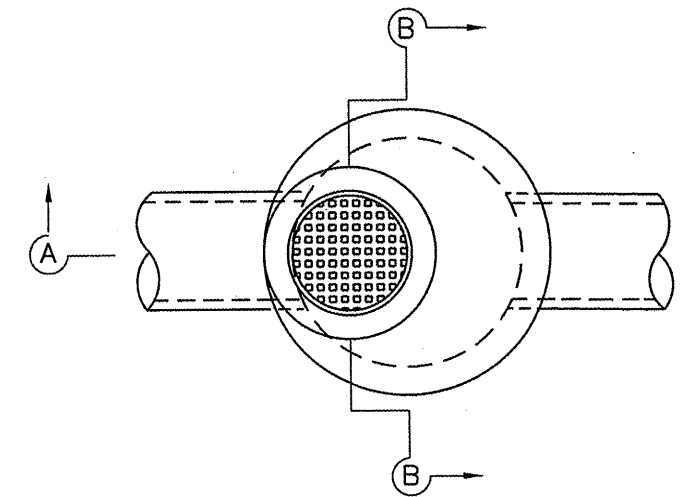
DIMENSION TABLE



PRECAST REINFORCED CONCRETE FLAT SLAB TOP (4', 5' & 6' DIA.)

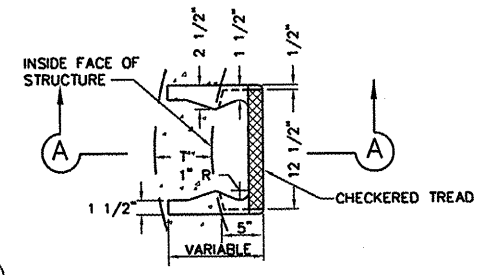


SECTION A-A



PLAN

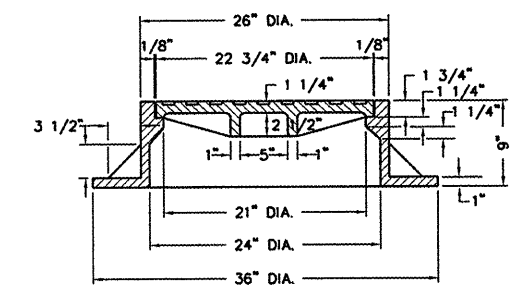
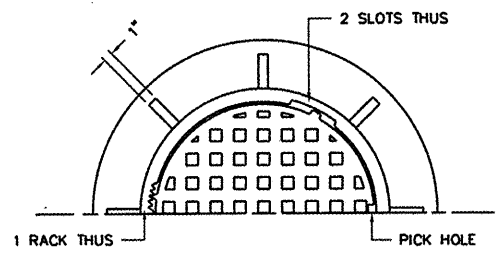
CITY STANDARD MANHOLE (4', 5' & 6" DIAMETERS)



SECTION A-A

CAST IRON STEPS SHALL BE GRAY IRON CONFORMING TO THE REQUIREMENTS OF ARTICLE 1006.14 OF THE STANDARD SPECIFICATIONS.

CAST IRON STEPS



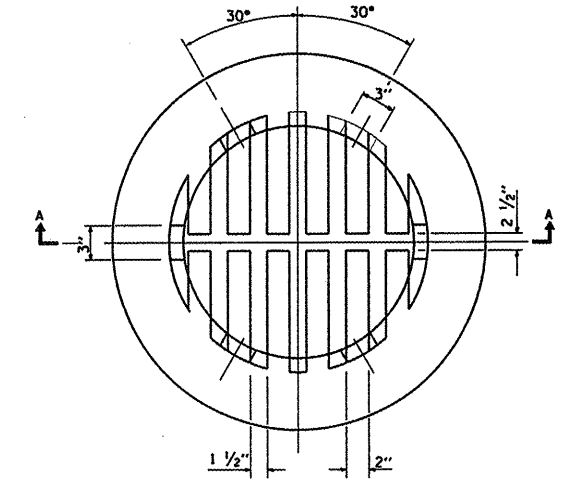
WEIGHT OF FRAME = 390 LBS.
 WEIGHT OF LID = 150 LBS.
 TOTAL WEIGHT = 540 LBS.

MANHOLE FRAME & LID, TYPE 1

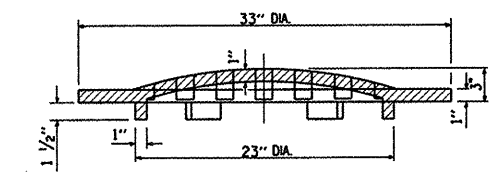
CITY STANDARD NO. 45
 NON-ROCKING TYPE
 NEENAH R-1715 OR EQUAL

GENERAL NOTES

ALL CONCRETE USED FOR CONSTRUCTION OF THE MANHOLE SHALL BE CLASS SI CONCRETE.
 THIS ITEM SHALL INCLUDE THE MANHOLE (4', 5' OR 6' DIAMETER), COMPLETE, IN PLACE AS INDICATED HEREIN, INCLUDING CASTINGS, PRECAST REINFORCED CONCRETE MANHOLE SECTIONS, REINFORCING BARS, STEPS, ADJUSTING COURSES, CLASS SI CONCRETE, TRENCH BACKFILL AND ALL EXCAVATION.
 THIS ITEM SHALL BE PAID FOR AT THE CONTRACT UNIT PRICE FOR MANHOLES OF THE TYPE AND SIZE SPECIFIED, WHICH SHALL BE PAYMENT IN FULL FOR ALL LABOR, MATERIALS, TOOLS AND EQUIPMENT NECESSARY TO CONSTRUCT THIS ITEM AS INDICATED.



CAST GRATE



SECTION A-A

GRATE TYPE 8