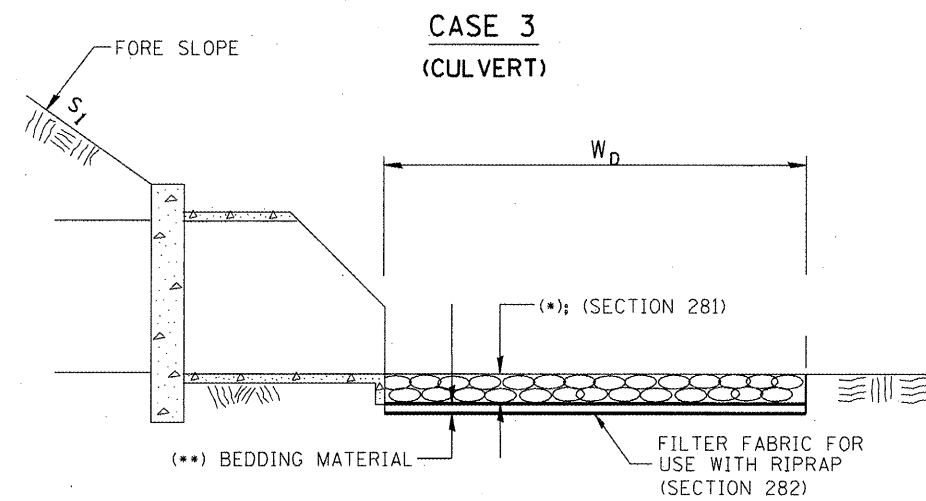
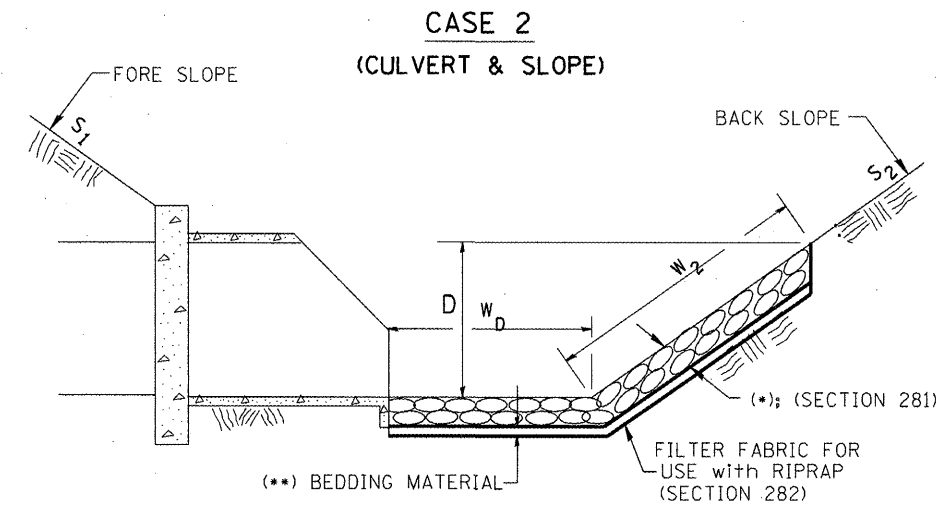
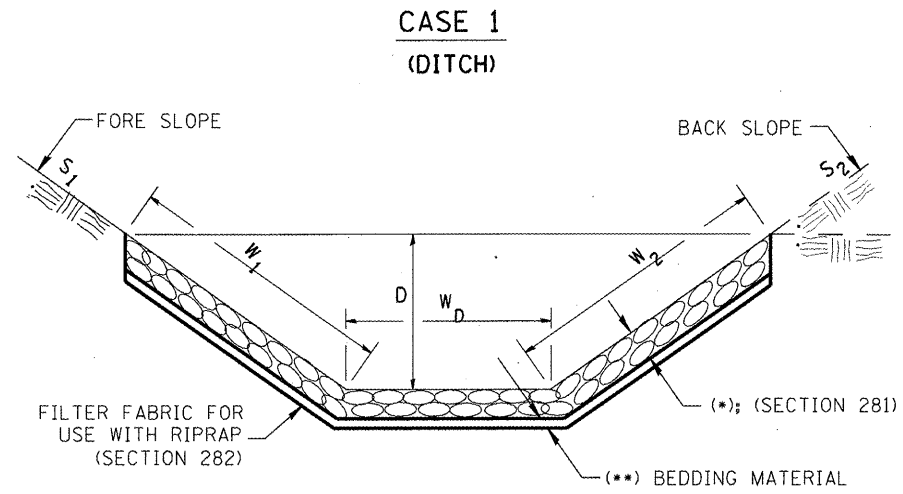


Designer NOTES:  
 1. Designer to modify this Special Detail Sheet, as needed for inclusion in plans.  
 2. (\*) Designer to specify pay item including material, quality, and gradation.  
 3. (\*\*) Designer to specify thickness of bedding material.  
 4. Include District Special Provision if needed.



All slope ratios are expressed as units of vertical displacement to units of horizontal displacement (V:H).  
 All dimensions are in inches (millimeters) unless otherwise noted.

1-1-97	RENUM. A-12.02, NEW REVISION BOX	T.P.
12-1-97	CORRECT FILTER FABRIC LEADER ARROW	J.A.
10-16-06	REVISED TO 2007 SPEC.	M.A.

STATE OF ILLINOIS  
 DEPARTMENT OF TRANSPORTATION

RIPRAP DITCH FOR EROSION PROTECTION

NOT TO SCALE

CADD STD. 281001-D4

F.A.I.L. RTE.	SECTION	COUNTY	TOTAL SHEETS	SHEET NO.
6768	10-00169-00-RP	TAZEWELL	98	50
FED. ROAD DIST. NO.			ILLINOIS FED. AID PROJECT	
			CONTRACT NO. 89588	