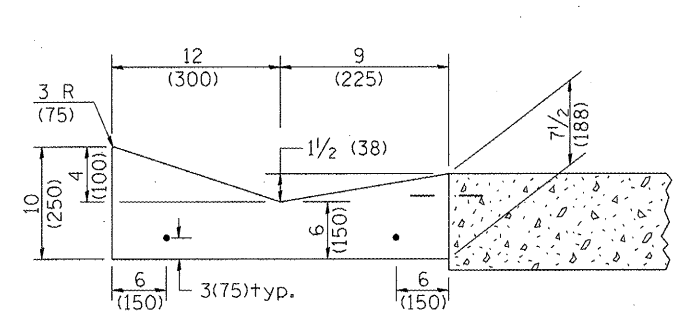


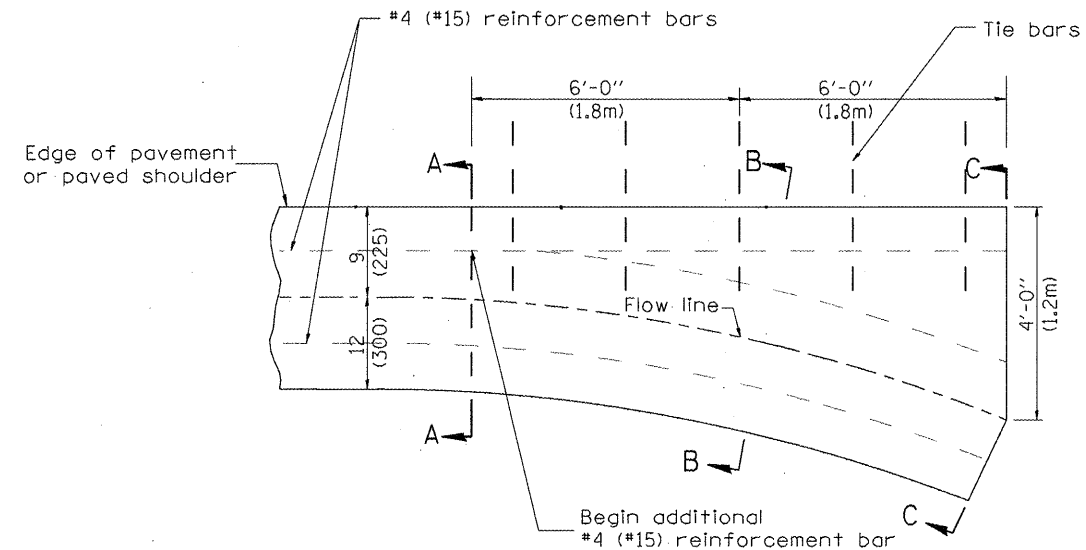
SHOULDER EDGE GUTTER

PAVEMENT EDGE GUTTER

**TYPE B GUTTER (SPECIAL)**

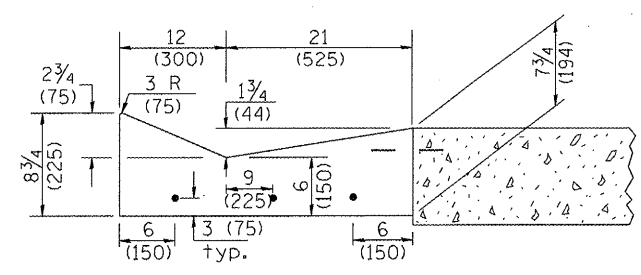


SECTION A-A

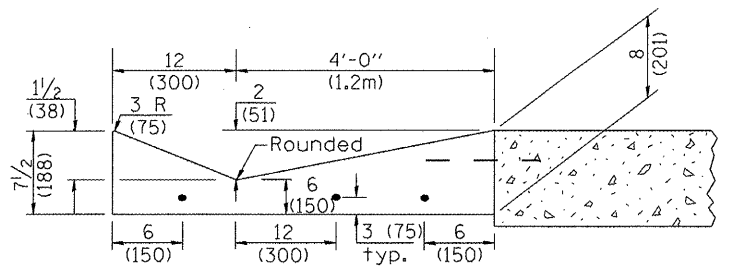


PLAN

**QUANTITY**  
Section C-C to A-A=  
0.73 cu. yd. concrete.



SECTION B-B



SECTION C-C

**INLET**

**GENERAL NOTES:**

1. TYPE B GUTTER (SPECIAL) shall conform to the applicable portions of Section 606.
2. Tie bars shall be No. 6 (No. 20) at 24" (600mm) centers unless otherwise shown.
3. Gutter, gutter inlets, gutter outlets, and gutter entrances shall be tied to rigid pavement in accordance with details shown on Standard 420001.
4. Joints shall be constructed in accordance with Article 606.06.
5. Welded wire fabric shall conform to Article 1006.10(c)(1), and shall not be less than 58 lbs/100 sq.ft. (2.83 kg/m<sup>2</sup>).

DESIGNER NOTES:  
1. INCLUDE STATE STD. 420001.  
2. INCLUDE DISTRICT SPECIAL PROVISION.

QUANTITIES	
CALC. BY:	DATE:
CHECKED BY:	DATE:
QUANTITY CALCULATIONS ARE ON FILE AT THE DISTRICT 4 OFFICE; BUREAU OF PROJECT IMPLEMENTATION; DOCUMENTATION SECTION	

01-01-97	RENUM. A-1.01, NEW REVISION BOX, ELIMINATED	T.P.	10-16-06	REVISED TO 2007 SPEC.	M.A.
	EXPANSION ANCHOR TIES		11-16-07	REVISED QUANTITY	M.A.
03-06-98	CORRECT DIMENSIONING	J.A.			
03-10-06	REVISED QUANTITY	M.A.			

**STATE OF ILLINOIS  
DEPARTMENT OF TRANSPORTATION**

**TYPE B GUTTER (SPECIAL)  
(INLET, OUTLET & ENTRANCE)**

SHT. 1 OF 3  
CADD STD. 606201-D4

All dimensions are in inches (millimeters) unless otherwise noted.

F.A.U. RTE.	SECTION	COUNTY	TOTAL SHEETS	SHEET NO.
6768	10-00169-00-RP	TAZEWELL	98	52
CONTRACT NO. 89588			ILLINOIS FED. AID PROJECT	