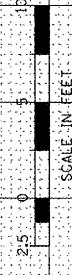
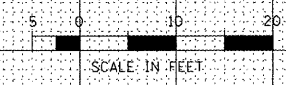


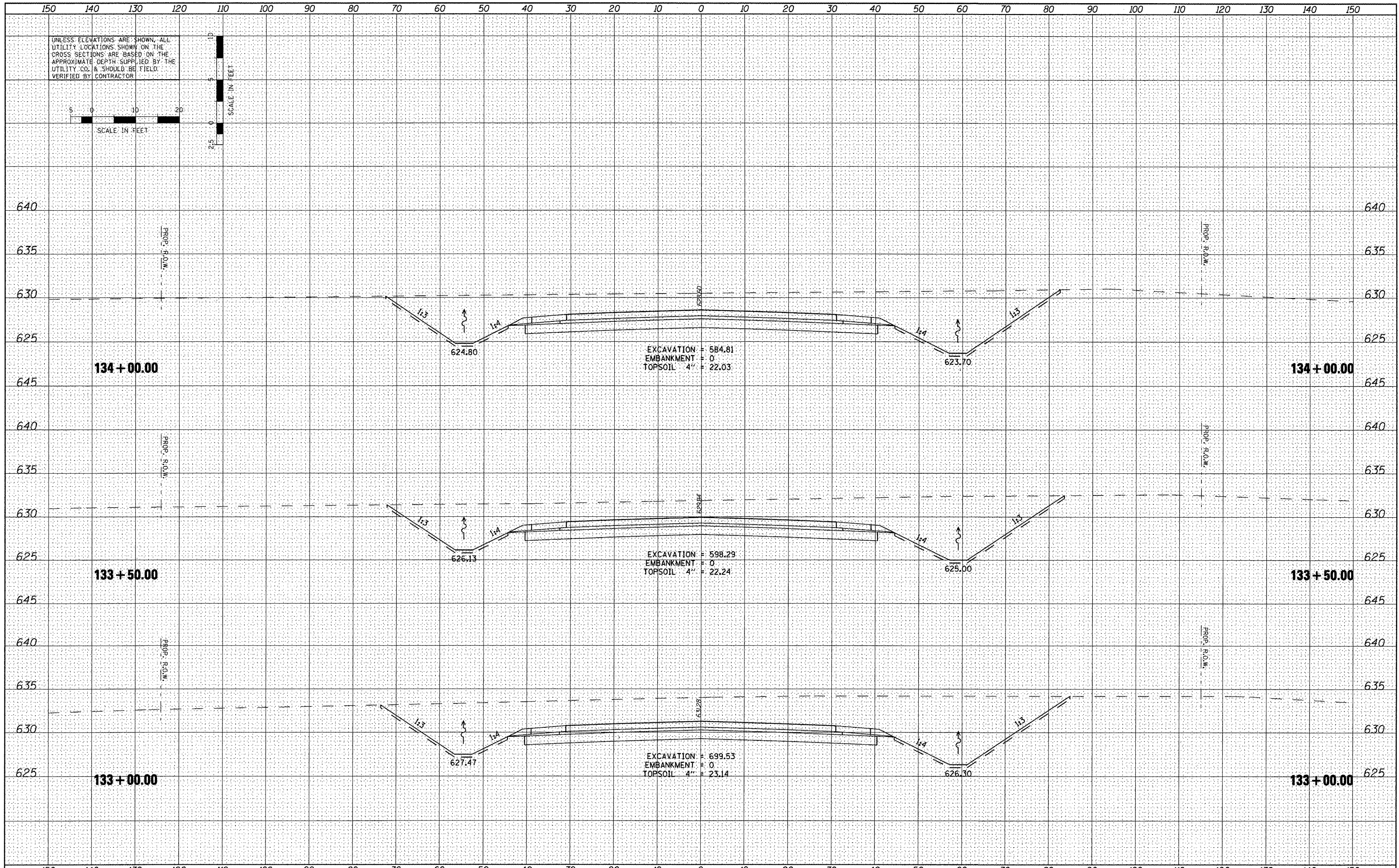
150 140 130 120 110 100 90 80 70 60 50 40 30 20 10 0 10 20 30 40 50 60 70 80 90 100 110 120 130 140 150

UNLESS ELEVATIONS ARE SHOWN, ALL UTILITY LOCATIONS SHOWN ON THE CROSS SECTIONS ARE BASED ON THE APPROXIMATE DEPTH SUPPLIED BY THE UTILITY CO. & SHOULD BE FIELD VERIFIED BY CONTRACTOR



DATE	
BY	
FINAL SURVEY	
NOTE BOOK	
NO.	

DATE	
BY	
ORIGINAL SURVEY	
NOTE BOOK	
NO.	



FILE NAME =
x:\projects\200805025\dgn\X5-2012-Sheets.dgn

USER NAME =	IDOT	DESIGNED	REW/KRS	REVISED	-
		DRAWN	CAM	REVISED	-
		CHECKED	KMC	REVISED	-
		DATE	3-21-12	REVISED	-

**STATE OF ILLINOIS
DEPARTMENT OF TRANSPORTATION**

**CROSS SECTIONS
VETERANS DRIVE**

SCALE: SHEET NO. OF SHEETS STA. TO STA.

F.A.U. RTE.	SECTION	COUNTY	TOTAL SHEETS	SHEET NO.
6768	10-00169-00-RP	TAZEWELL	98	86
CONTRACT NO. 89588			ILLINOIS FED. AID PROJECT	