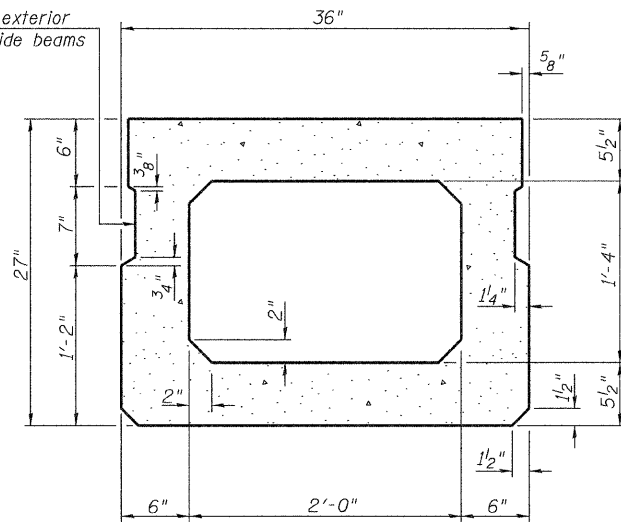


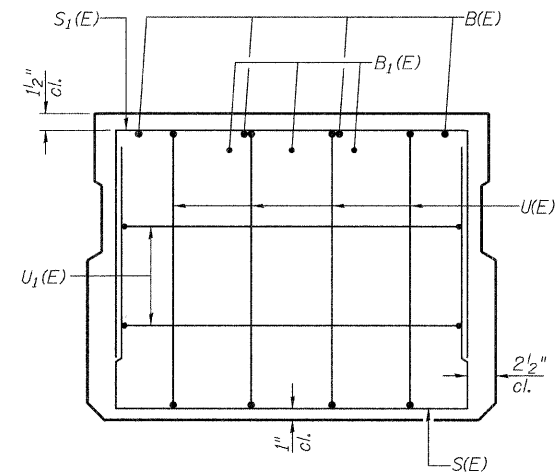
SECTION C-C

**Omit key on exterior face of outside beams

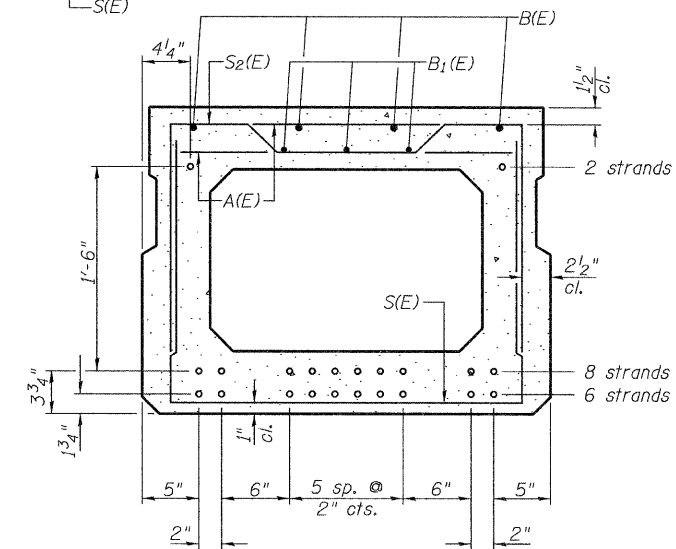


SECTION A-A (Showing Dimensions)

**Rail post anchor devices (Sheet 4 of 7) to be cast into exterior face of outside beams.

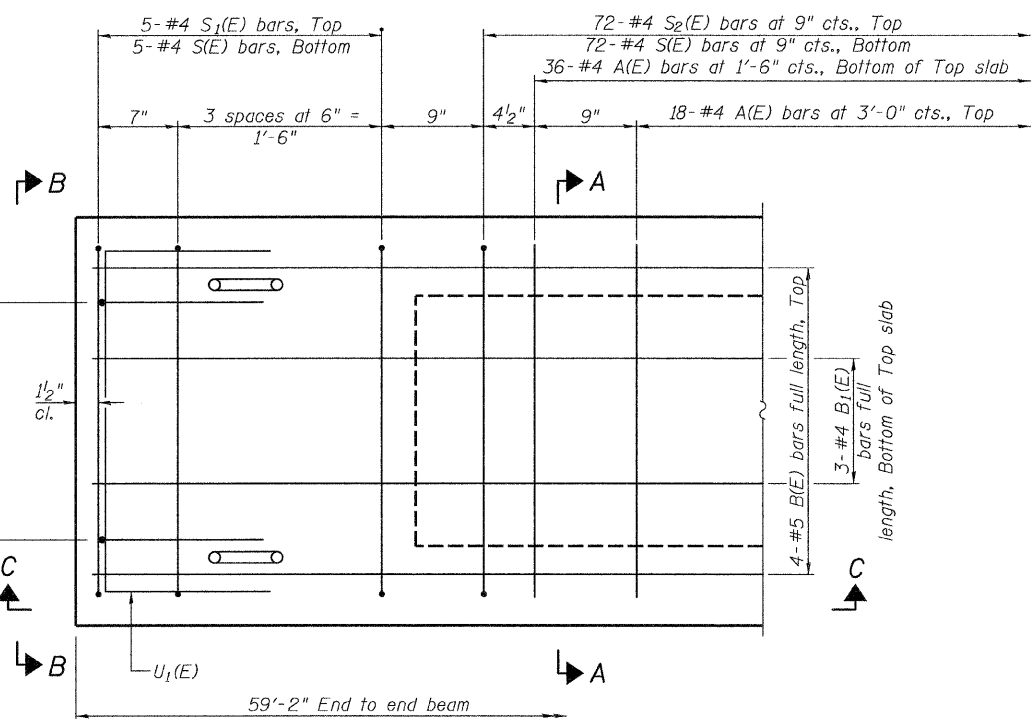


VIEW B-B



SECTION A-A

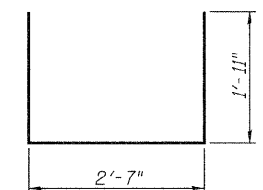
16-1/2" Strands Each Strand Stressed to 30,900 Lbs.
6-Strands 1 3/4" up, 8-Strands 3 3/4" up, 2-Strands 1'-9 3/4" up
Note: Place the number of strands specified in each row symmetrically about the centerline of beam in the permissible strand locations shown.



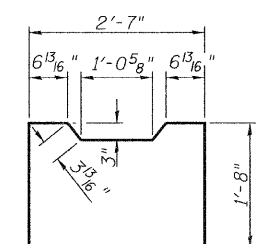
PLAN VIEW

Note: Spacing of S(E) and S2(E) bars may be adjusted up to 4" in the immediate area of the transverse tie diaphragms to miss the block outs for the transverse ties.

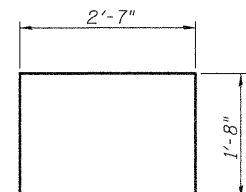
MINIMUM BAR LAP
#4 bar = 2'-0"
#5 bar = 2'-6"



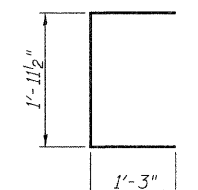
BAR S(E)



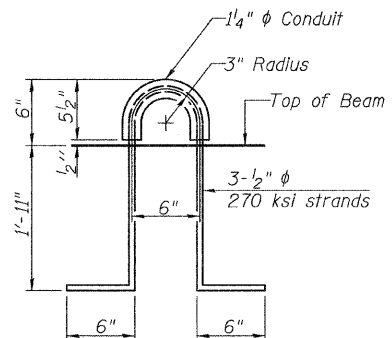
BAR S2(E)



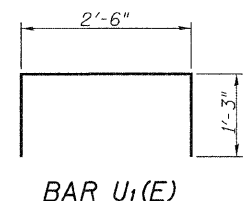
BAR S1(E)



BAR U(E)



LIFTING LOOP DETAIL



BAR U1(E)

BAR LIST-ONE BEAM ONLY

(For information only)

Bar	No.	Size	Length	Shape
A(E)	54	#4	2'-7"	—
B(E)	4	#5	*58'-11"	—
B1(E)	3	#4	*58'-11"	—
S(E)	82	#4	6'-5"	U
S1(E)	10	#4	5'-11"	U
S2(E)	72	#4	6'-2"	U
U(E)	8	#5	4'-6"	U
U1(E)	4	#4	5'-0"	U

* Total Length, Lap as necessary

Note: See sheet 2 of 7 for additional details and Bill of Material.

SUPERSTRUCTURE DETAILS

MASON COUNTY
SECTION 10-00016-02-BR
C.H. 5 OVER DUFF ARMSTRONG DITCH

SHEET NO. 3 7 SHEETS	ROUTE NO. CH 5	SECTION 10-00016-02-BR	COUNTY MASON	TOTAL SHEETS 22	SHEET NO. 9
	S.N. 063-3029		CONTRACT NO. 93568		
	FED. ROAD DIST. NO. 7 ILLINOIS		FED. AID PROJECT BRS-0572(305)		