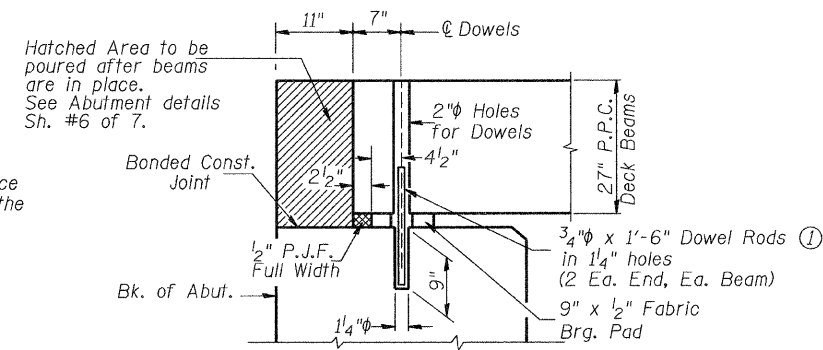


**RAIL POST SPACING**

① Dowel Rods to be grouted after beams are in place and allowed to cure (Min. 24 hr.) prior to grouting the shear keys.



**SECTION THRU ABUTMENT**

**RAIL POST SPACING AND  
SUPERSTRUCTURE DETAILS  
MASON COUNTY  
SECTION 10-00016-02-BR  
C.H. 5 OVER DUFF ARMSTRONG DITCH**

SHEET NO. 5 7 SHEETS	ROUTE NO.	SECTION	COUNTY	TOTAL SHEETS	SHEET NO.
	CH 5	10-00016-02-BR	MASON	22	11
S.N. 063-3029			CONTRACT NO. 93568		
FED. ROAD DIST. NO. 7 ILLINOIS			FED. AID PROJECT BRS-0572(305)		