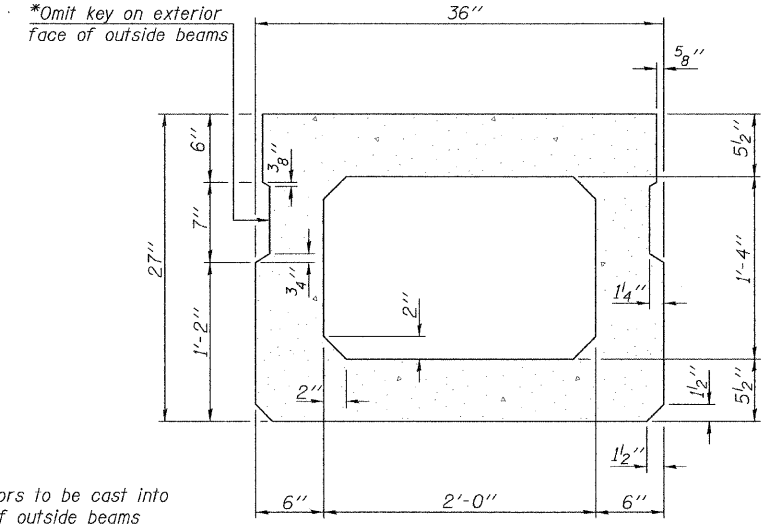
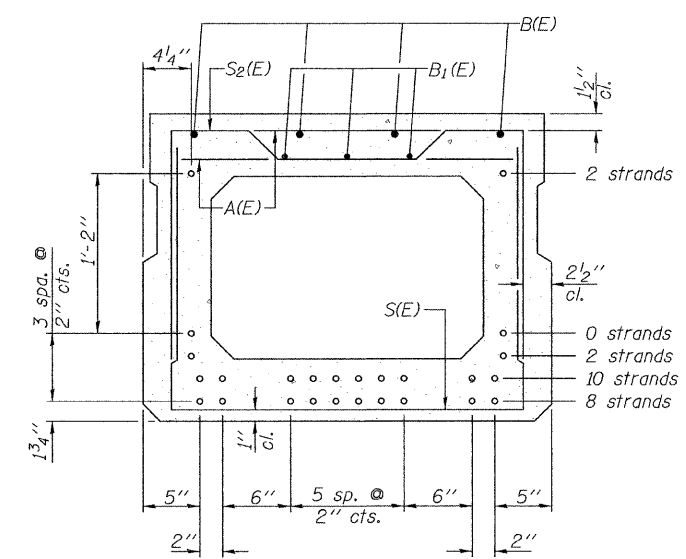


SECTION A-A

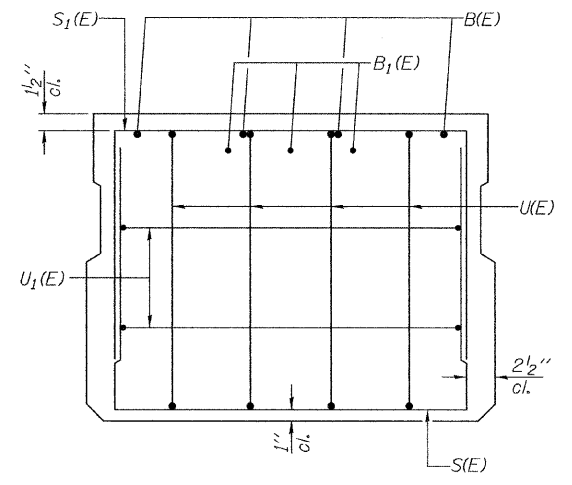


SECTION B-B
(Showing dimensions)

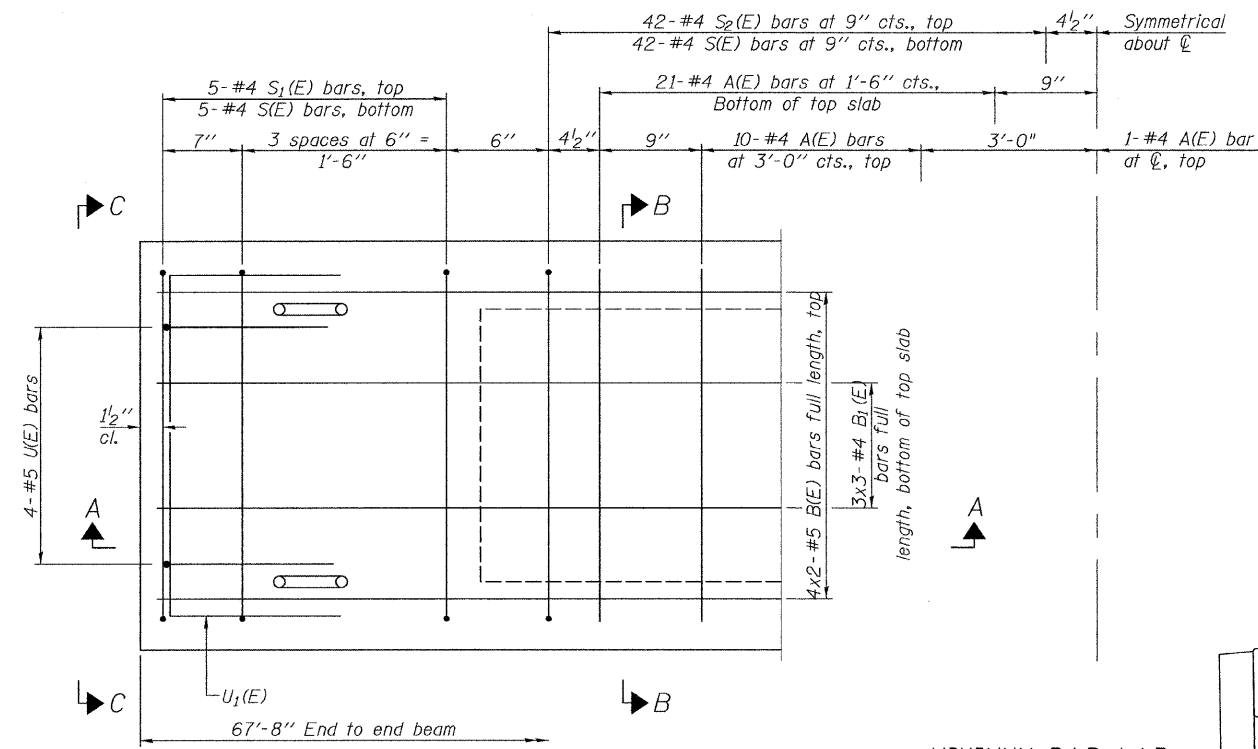


SECTION B-B

(Showing reinforcement and permissible strand locations)
 Note: Place the number of strands specified in each row symmetrically about the centerline of beam in the permissible strand locations shown.



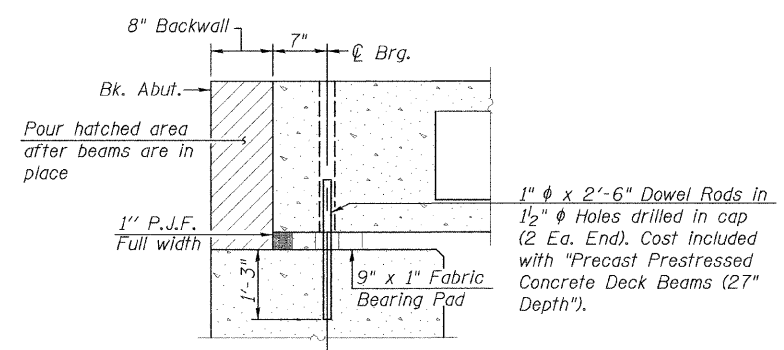
VIEW C-C



PLAN VIEW

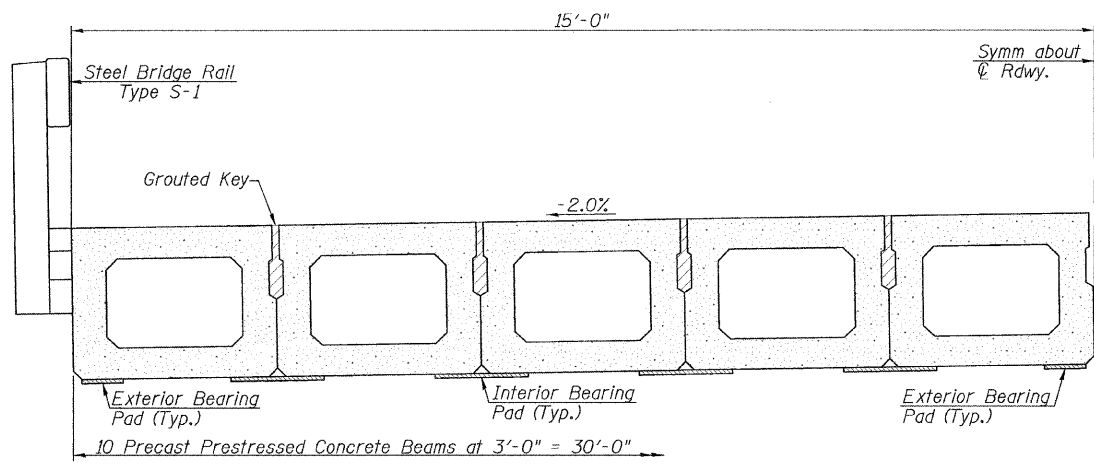
MINIMUM BAR LAP
 #4 bar = 2'-0"
 #5 bar = 2'-6"

Note: Spacing of S(E) and S2(E) bars may be adjusted up to 4" in the immediate area of the transverse tie diaphragms to miss the block outs for the transverse ties.



SECTION THRU ABUTMENT
(At Right Angles)

Notes: After beams have been erected, holes shall be drilled into substructure and anchor dowels placed. Dowel holes shall be filled with non-shrink grout to top of beam and allowed to cure min. 24 hrs. prior to grouting the shear keys. All horizontal dimensions are at right angles to beam ends.



HALF CROSS SECTION

BAR LIST
 ONE BEAM ONLY
 (For information only)

Bar	No.	Size	Length	Shape
A(E)	63	#4	2'-7"	—
B(E)	8	#5	35'-1"	—
B1(E)	9	#4	24'-6"	—
S(E)	94	#4	6'-5"	⌊
S1(E)	10	#4	5'-11"	⌊
S2(E)	84	#4	6'-2"	⌊
U(E)	8	#5	4'-6"	⌊
U1(E)	4	#4	5'-0"	⌊

Note: See sheet 8 of 15 for additional details and Bill of Material. Bars indicated thus 4x2-#5 etc. indicates 4 lines of bars with 2 lengths per line. Reinforcement designated (E) to be epoxy coated.

PD-2736-0

7-1-10

FILE NAME =	USER NAME =	DESIGNED -	REVISIONS -
		CHECKED -	REVISIONS -
		DRAWN -	REVISIONS -
		CHECKED -	REVISIONS -

Allen Henderson & Associates, Inc.
 Civil and Structural Engineers Springfield, IL
 62703 Phone: (217)544-8033 IL Design Firm
 No. 184-001907

27" x 36" PPC DECK BEAM
 STRUCTURE NO. 065-3127
 SHEET NO. 2 OF 6 SHEETS

C.H. RTE.	SECTION	COUNTY	TOTAL SHEETS	SHEET NO.
1	11-00063-00-BR	MENARD	15	7

CONTRACT NO. 93573
 ILLINOIS FED. AID PROJECT