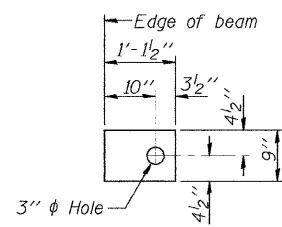
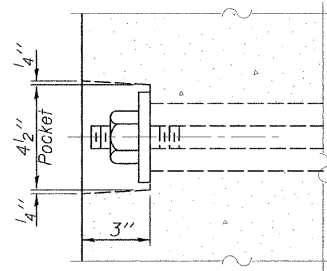


**FABRIC BEARING PAD**  
(Interior)  
(16 Required)

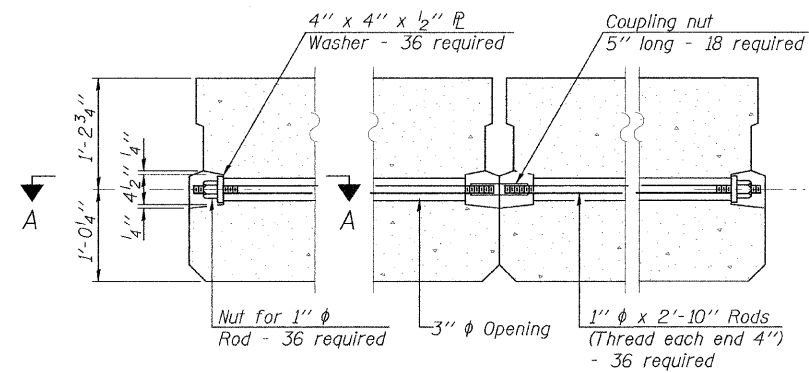


**FABRIC BEARING PAD**  
(Exterior)  
(8 Required)

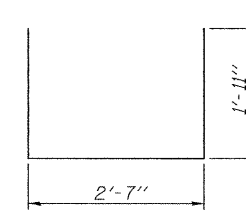
Note:  
All bearing pads shall be 1" thick.



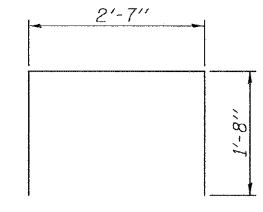
**SECTION A-A**



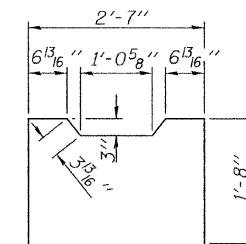
**TYPICAL TRANSVERSE TIE ASSEMBLY**



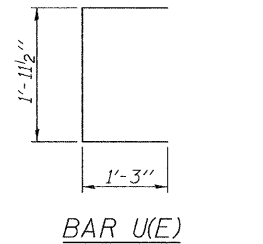
**BAR S(E)**



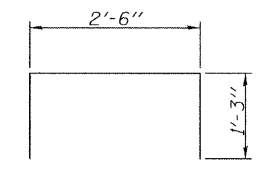
**BAR S1(E)**



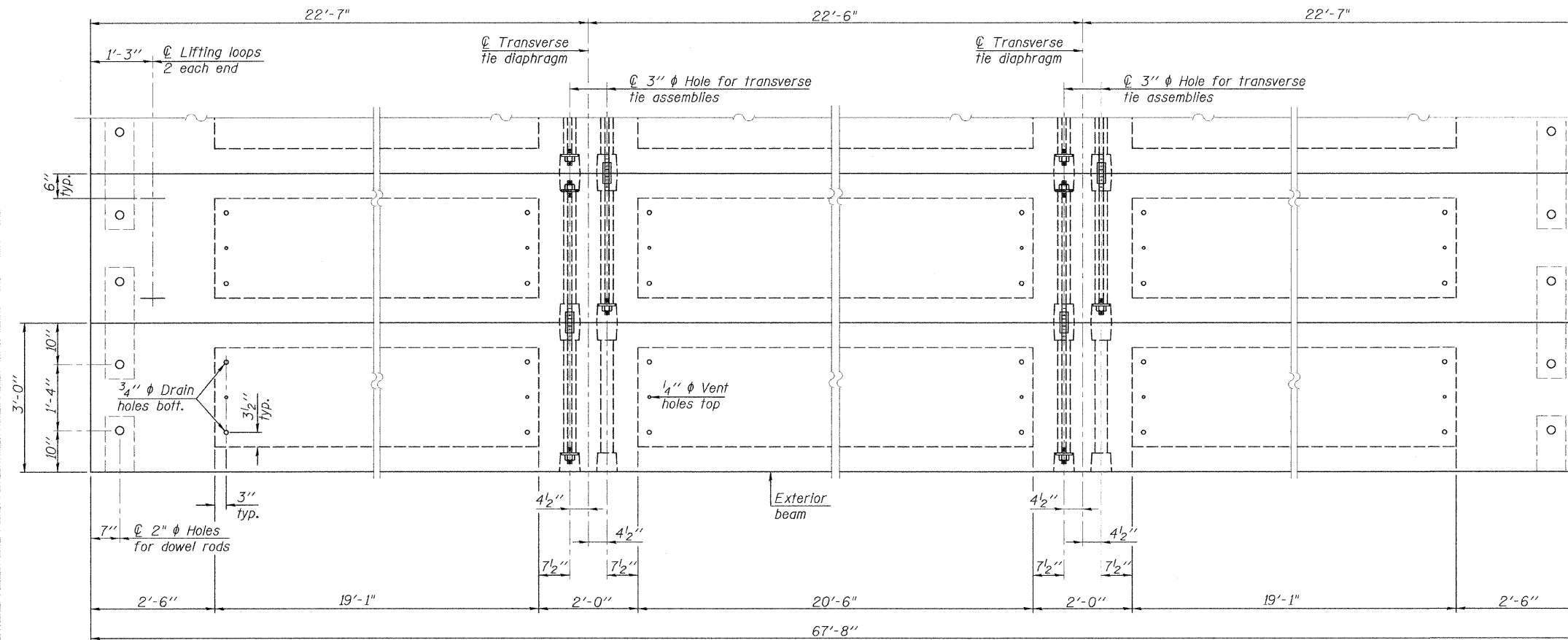
**BAR S2(E)**



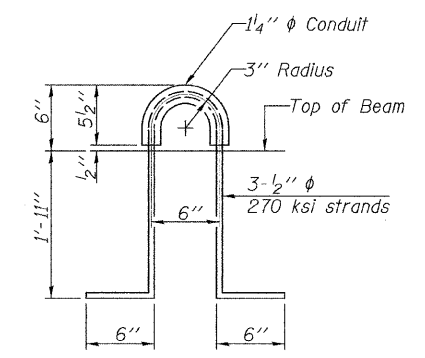
**BAR U(E)**



**BAR U1(E)**



**PLAN VIEW**



**LIFTING LOOP DETAIL**

Note: Connect beams in pairs with the transverse tie configuration shown.

**NOTES**

- Prestressing steel shall be uncoated high strength, low relaxation 7-wire strand, Grade 270. The nominal diameter shall be 1/2" and the nominal cross-sectional area shall be 0.153 sq. in.
- The 1" rods in the transverse tie assembly shall be tightened to a snug fit and the threads set. Pockets on exterior faces of bridge shall be filled with grout after transverse tie assembly is in place.
- Reinforcement bars shall conform to ASTM A 706, Grade 60.
- Two 1/8" fabric adjusting shims of the dimensions of the exterior bearing pad shall be provided for each bearing pad location.
- A minimum 2 1/2" diameter lifting pin shall be used to engage the lifting loops during handling.
- Corrosion Inhibitor, per Article 1020.05(b)(12) and 1021.06 of the Standard Specifications, shall be used in the concrete for precast prestressed concrete deck beams.
- Compressive strength of prestressed concrete, f'c, shall be 6000 psi.
- Compressive strength of prestressed concrete at release, f'ci, shall be 5000 psi.

**BILL OF MATERIAL**

Precast Prestressed Conc. Deck Bms. (27" depth)	Sq. Ft.	2030
---	---------	------

PD-2736-0D 7-1-10

FILE NAME =	USER NAME =	DESIGNED -	REVISD -
		CHECKED -	REVISD -
		DRAWN -	REVISD -
		CHECKED -	REVISD -



**Allen Henderson & Associates, Inc.**  
Civil and Structural Engineers Springfield, IL.  
62703 Phone: (217)544-8033 IL Design Firm  
No. 184-001907

**27" x 36" PPC DECK BEAM DETAILS**  
**STRUCTURE NO. 065-3127**

SHEET NO. 3 OF 6 SHEETS

C.H. RTE.	SECTION	COUNTY	TOTAL SHEETS	SHEET NO.
1	11-00063-00-BR	MENARD	15	8
CONTRACT NO. 93573				
ILLINOIS FED. AID PROJECT				