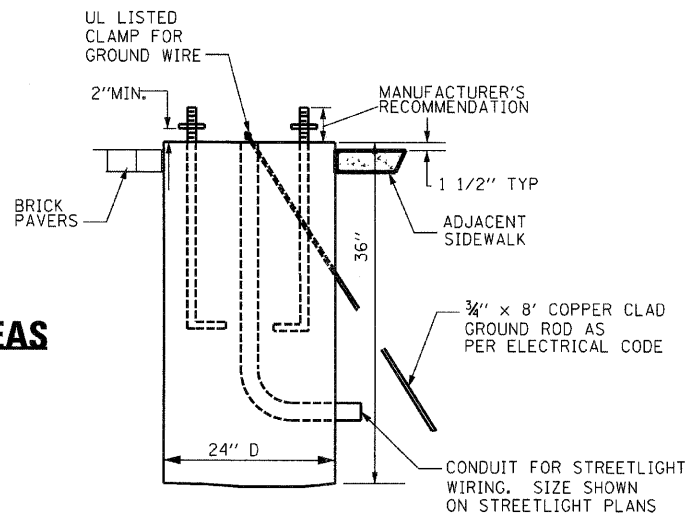
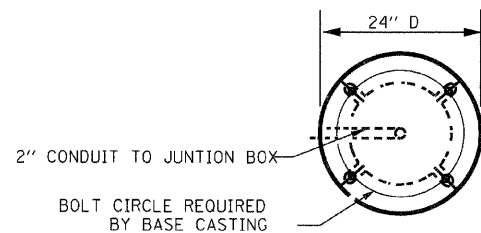


CONCRETE HISTORIC STREET LIGHT FOUNDATION

DETAIL FOR THE FOUNDATION IN SIDEWALK AREAS

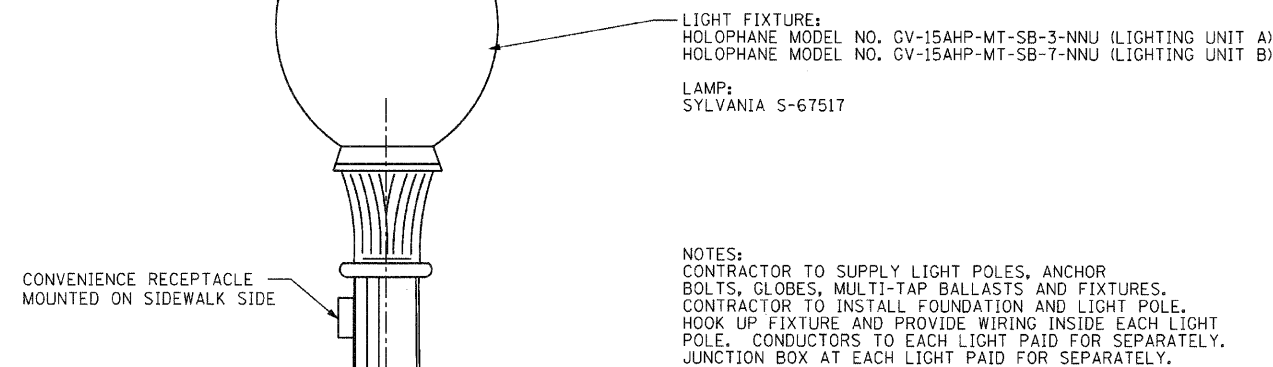


FOUNDATION - TOP VIEW



HISTORIC LIGHT

WITH GFI OUTLET AT TOP
NOT TO SCALE

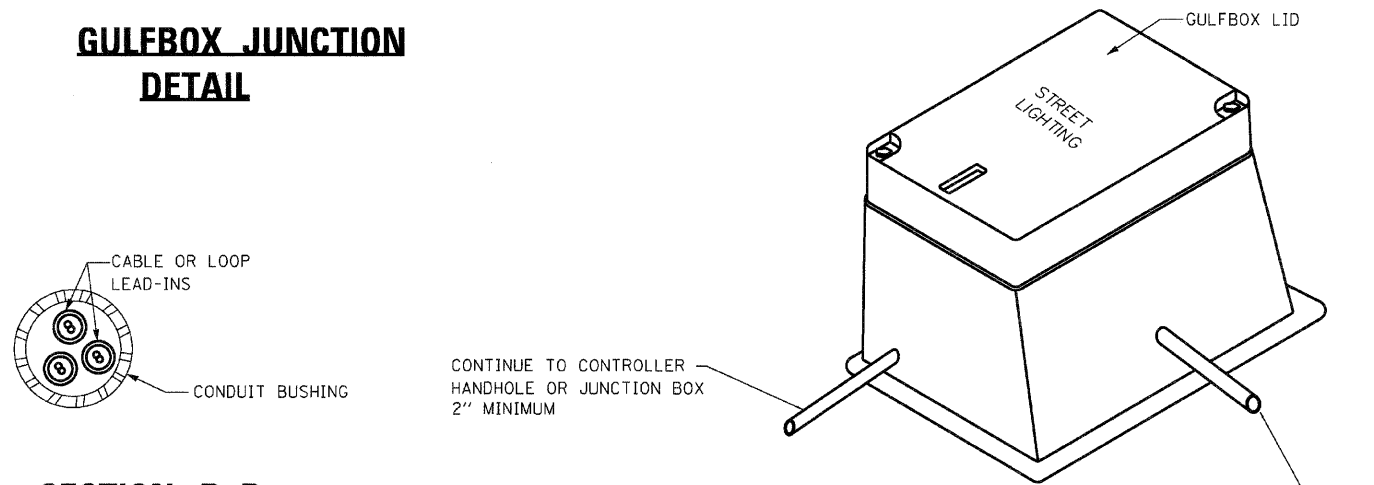


NOTES:
CONTRACTOR TO SUPPLY LIGHT POLES, ANCHOR BOLTS, GLOBES, MULTI-TAP BALLASTS AND FIXTURES.
CONTRACTOR TO INSTALL FOUNDATION AND LIGHT POLE.
HOOK UP FIXTURE AND PROVIDE WIRING INSIDE EACH LIGHT POLE. CONDUCTORS TO EACH LIGHT PAID FOR SEPARATELY.
JUNCTION BOX AT EACH LIGHT PAID FOR SEPARATELY.

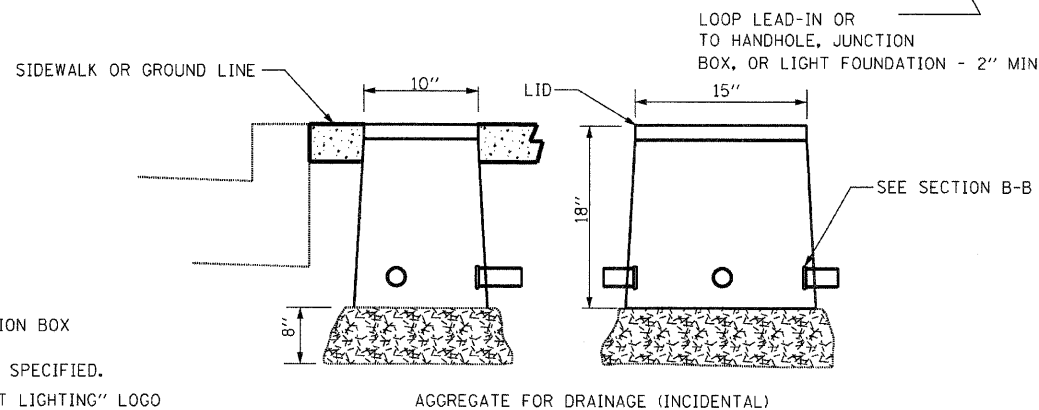
14' POLE TO BE PROVIDED.

CONTRACTOR TO PROVIDE SURGE PROTECTOR, FUSES, DISCONNECTS AND CONDUCTORS IN THE LIGHT POLE.

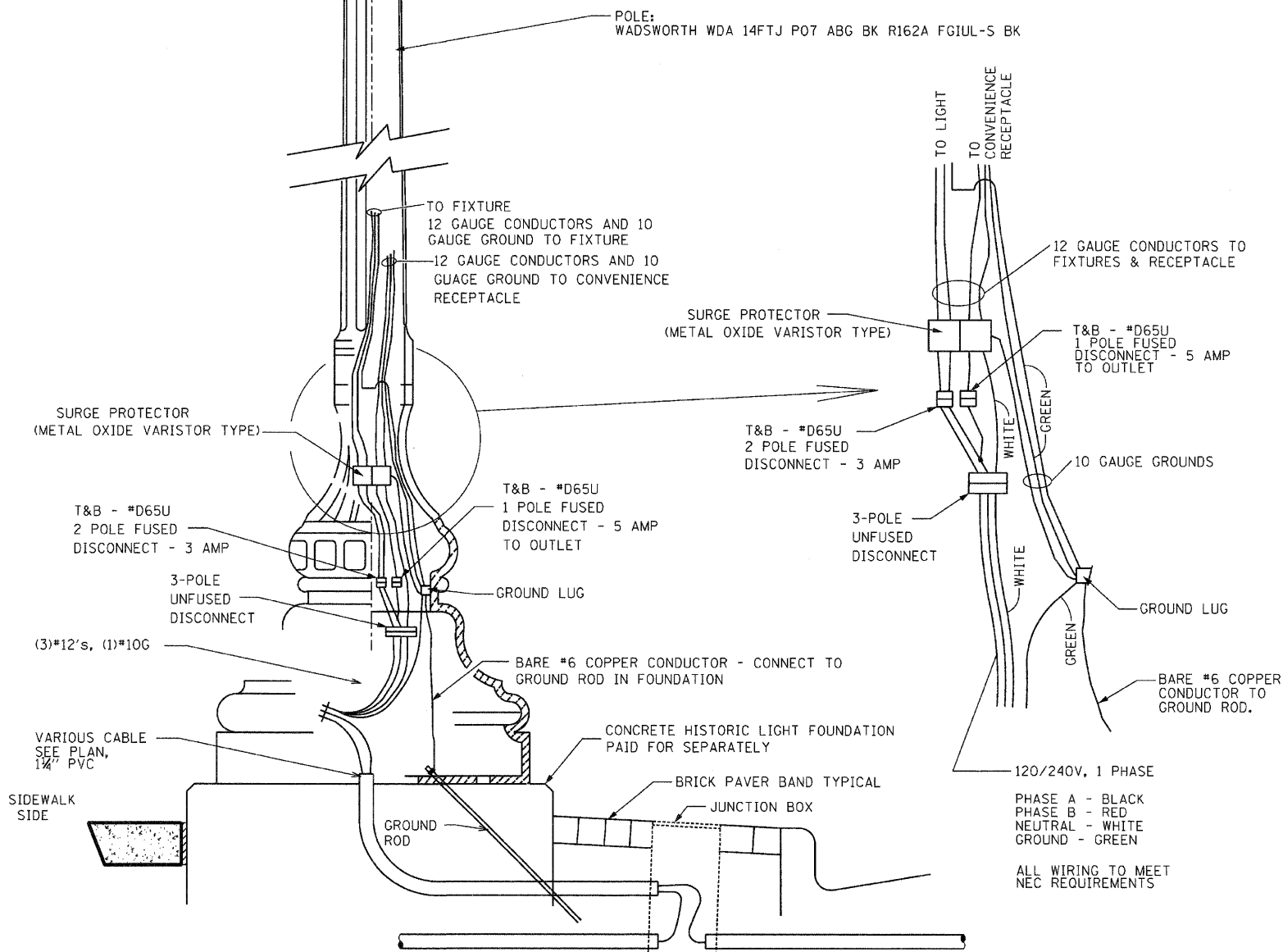
GULFBOX JUNCTION DETAIL



SECTION B-B



- NOTES
- SEE TRAFFIC SIGNAL OR LIGHTING LAYOUT FOR CONDUIT SIZE.
 - POLYMER CONCRETE UTILITY JUNCTION BOX WITH FLARED DESIGN. LIGHT DUTY LID UNLESS OTHERWISE SPECIFIED.
 - BOLTED POLYMER LID WITH "STREET LIGHTING" LOGO WITH PENTAHEAD STAINLESS STEEL BOLTS.



FILE NAME = DBXXXX-sh-36-Details	USER NAME = MCL	DESIGNED -	REVISED -
		DRAWN -	REVISED -
		CHECKED -	REVISED -
		DATE -	REVISED -

STATE OF ILLINOIS
DEPARTMENT OF TRANSPORTATION

DETAILS
SCALE: NTS SHEET NO. 3 OF 7 SHEETS

F.A.P. RTE.	SECTION	COUNTY	TOTAL SHEETS	SHEET NO.
63	09-00309-00-LS	ADAMS	39	36
CONTRACT NO. 03578				
ILLINOIS FED. AID PROJECT				