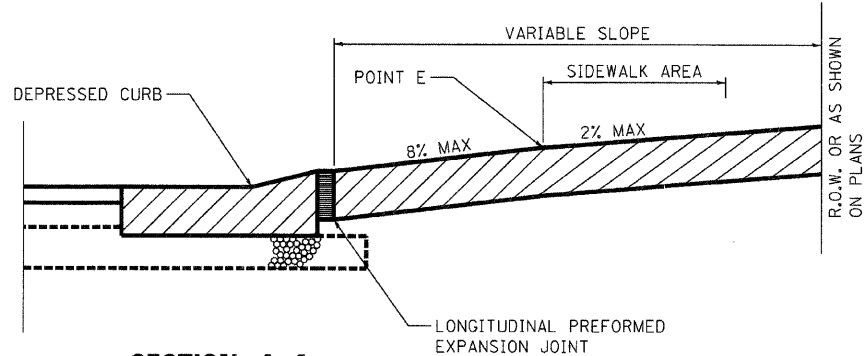


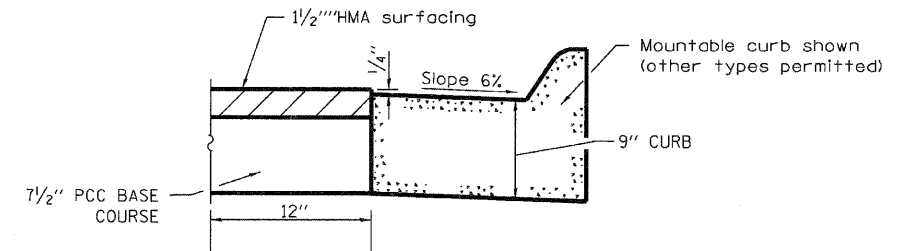
CITY OF QUINCY  
**ALLEY AND DRIVEWAY STANDARDS**

NOT TO SCALE

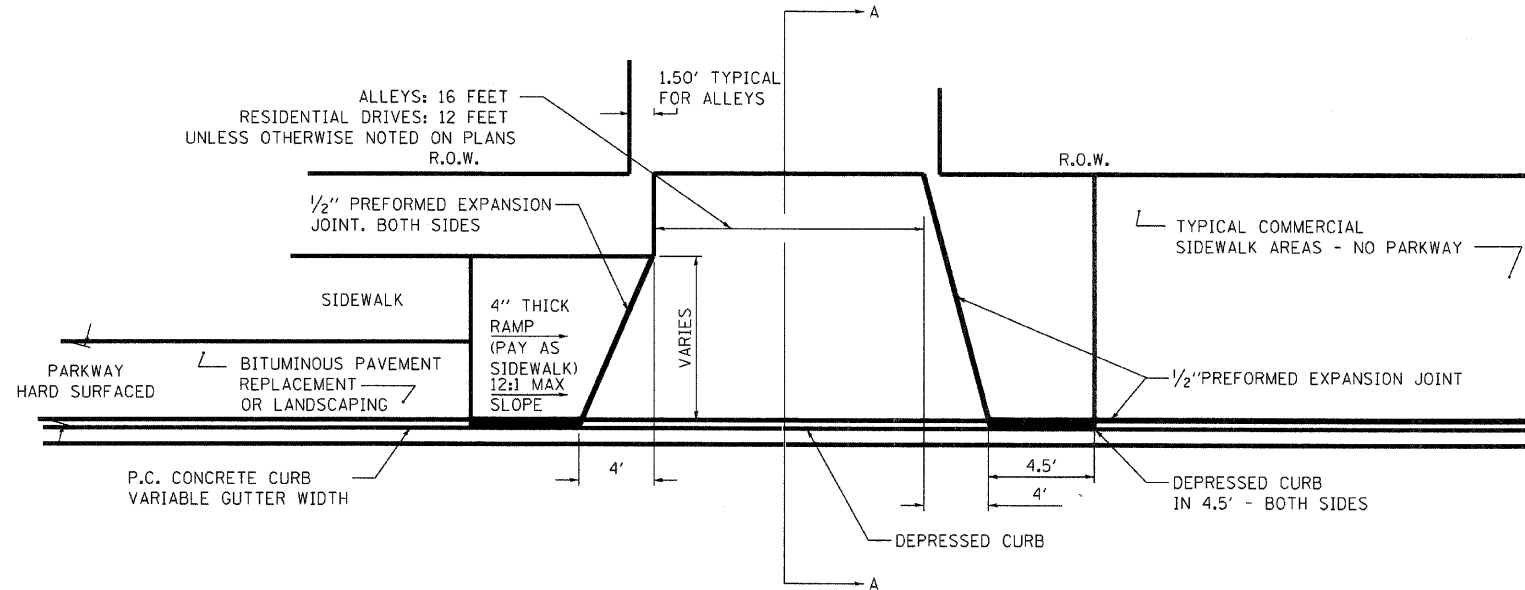


**SECTION A-A**

UNLESS NOTED DIFFERENT ON PLANS.  
 SEE SHEETS 19-20



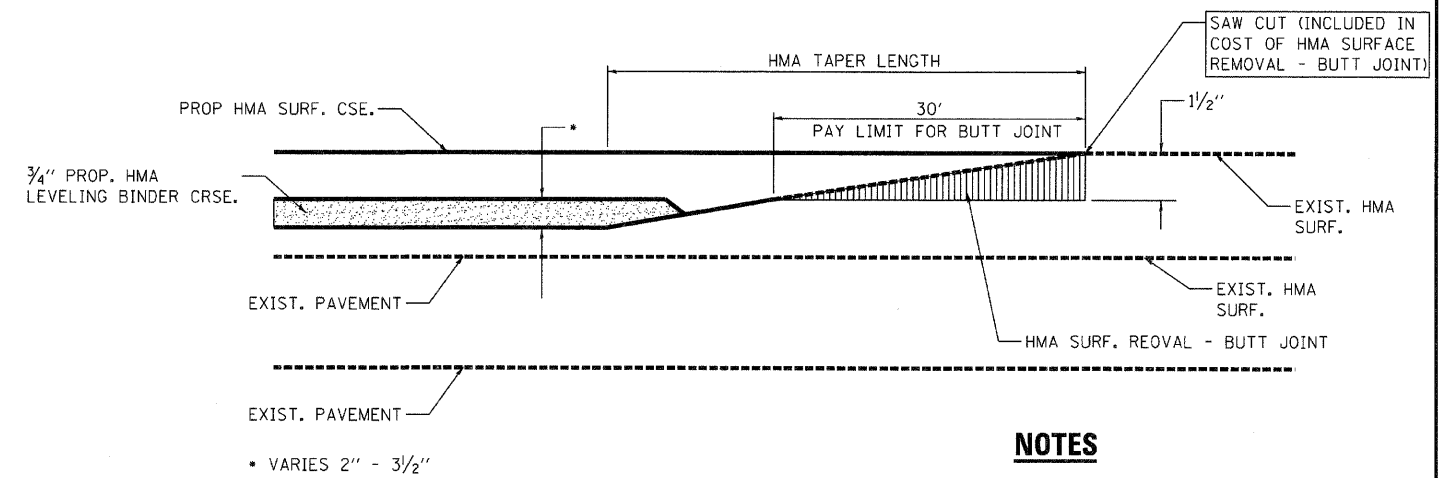
**ADJACENT TO PCC BASE COURSE  
 WITH HMA SURFACING**



**TYPICAL ENTRANCE - HARD SURFACED PARKWAY**

**NOTES**

1. CLASS PV CONCRETE SHALL BE USED THROUGH-OUT.
2. THE INSTALLATION OF 1/2" PREFORMED EXPANSION JOINTS WHERE REQUIRED SHALL BE INCLUDED IN THE UNIT PRICE BID FOR P.C.C. DRIVEWAY PAVEMENT.
3. THE UNIT PRICE BID FOR THIS ITEM SHALL INCLUDE THE FURNISHING OF ALL LABOR AND MATERIALS NECESSARY TO CONSTRUCT THE P.C.C. DRIVEWAY PAVEMENT.
4. DRIVEWAY MAY REQUIRE A SLOPE CHANGE AT DETERMINED DISTANCES BEHIND CURB FOR SIDEWALK OR DRAINAGE CORRECTIONS DUE TO EXCESSIVE OR INADEQUATE SLOPE OF STRAIGHT LINE GRADE.
5. COST OF CONSTRUCTING A SLOPE CHANGE IF NECESSARY AND ALL JOINTING SHALL BE INCIDENTAL TO THE COST PER SQUARE YARD OF P.C.C. DRIVEWAY PAVEMENT.
6. REFER TO CROSS SECTIONS FOR DRIVE AND SIDEWALK CROSS SLOPES.
7. REFER TO PLAN AND PROFILE SHEETS FOR DRIVEWAY WIDTHS OR MATCH EXISTING.
8. SAW OR SCRATCH JOINTS IN EACH ENTRANCE SO THAT NO SECTION REMAINS LARGER THAN 12 FEET IN ANY DIMENSION.
9. MAXIMUM WIDTH OF A DRIVEWAY OR ALLEY ENTRANCE AT THE RIGHT-OF-WAY LINE SHALL BE THIRTY (30) FEET UNLESS OTHERWISE NOTED.



**NOTES**

1. THE TEMP. RAMP SHALL BE CONSTRUCTED IMMEDIATELY UPON REMOVAL OF THE EXISTING HMA SURFACE.
2. THE BUTT JOINT SHALL BE CONSTRUCTED IMMEDIATELY PRIOR TO PLACING THE PROPOSED HMA COURSES.
3. TAPER THE TEMP. RAMP AT A RATE OF 3'-0" PER 1 INCH OF MILLING THICKNESS.
4. INSTALLATION AND REMOVAL OF THE 4'-6" TEMP. RAMP IS INCLUDED IN COST OF HMA SURFACE REMOVAL - BUTT JOINT.
5. 20'-0" PER 1" RESURFACING BUTT JOINT.

**BASIS OF PAYMENT:**

THE BUTT JOINT WILL BE PAID FOR AT THE CONTRACT UNIT PRICE PER SQUARE YARD FOR "HOT-MIX ASPHALT SURFACE REMOVAL - BUTT JOINT".

MR MFT JUNE 00

FILE NAME = D6XXXX-sh1-38-Details	USER NAME = MDL	DESIGNED - _____	REVISED - _____
		DRAWN - _____	REVISED - _____
		CHECKED - _____	REVISED - _____
		DATE - _____	REVISED - _____

STATE OF ILLINOIS  
 DEPARTMENT OF TRANSPORTATION

DETAILS		F.A.P. RTE. 63	SECTION 09-00309-00-LS	COUNTY ADAMS	TOTAL SHEETS 39	SHEET NO. 38
SCALE: NTS	SHEET NO. 5 OF 7 SHEETS	CONTRACT NO. 93578		ILLINOIS FED. AID PROJECT		