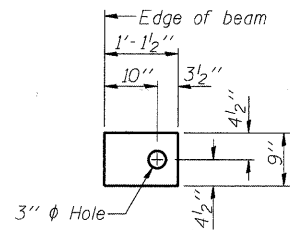


**FABRIC BEARING PAD**

(Interior)



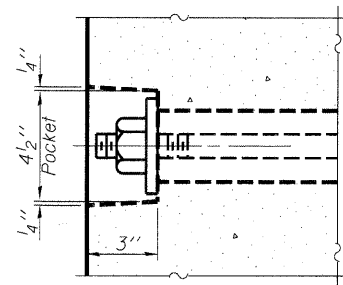
**FABRIC BEARING PAD**

(Exterior)

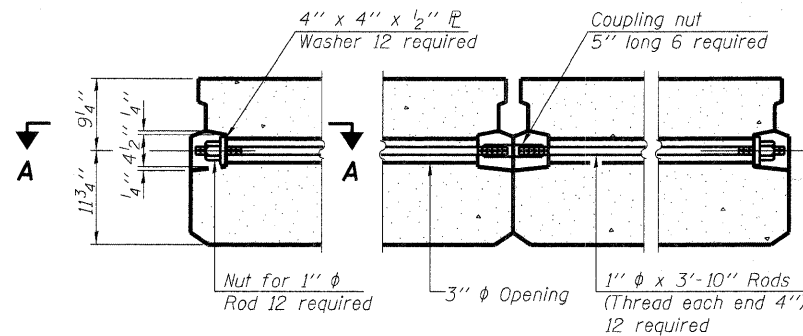
**FIXED**

Notes:

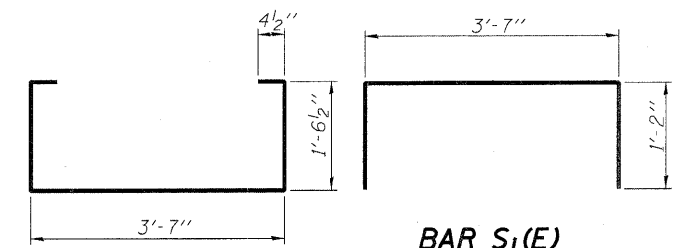
All bearing pads shall be 1" thick.  
Omit holes when using expansion bearings.  
Expansion bearing pad shall be bonded to the substructure.



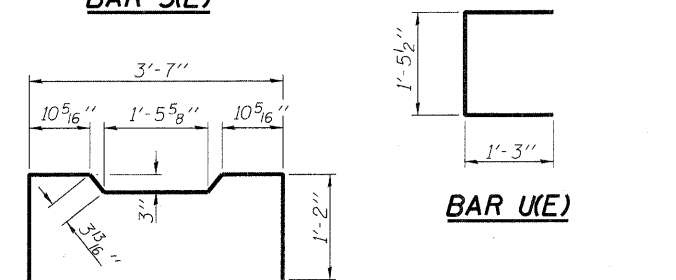
**SECTION A-A**



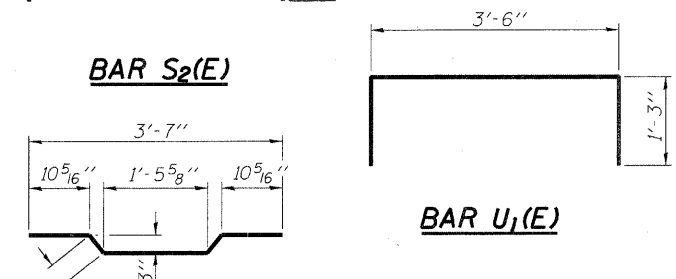
**TYPICAL TRANSVERSE TIE ASSEMBLY**



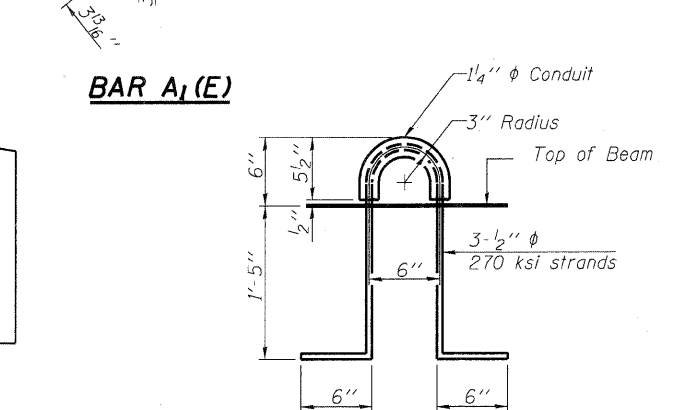
**BAR S1(E)**



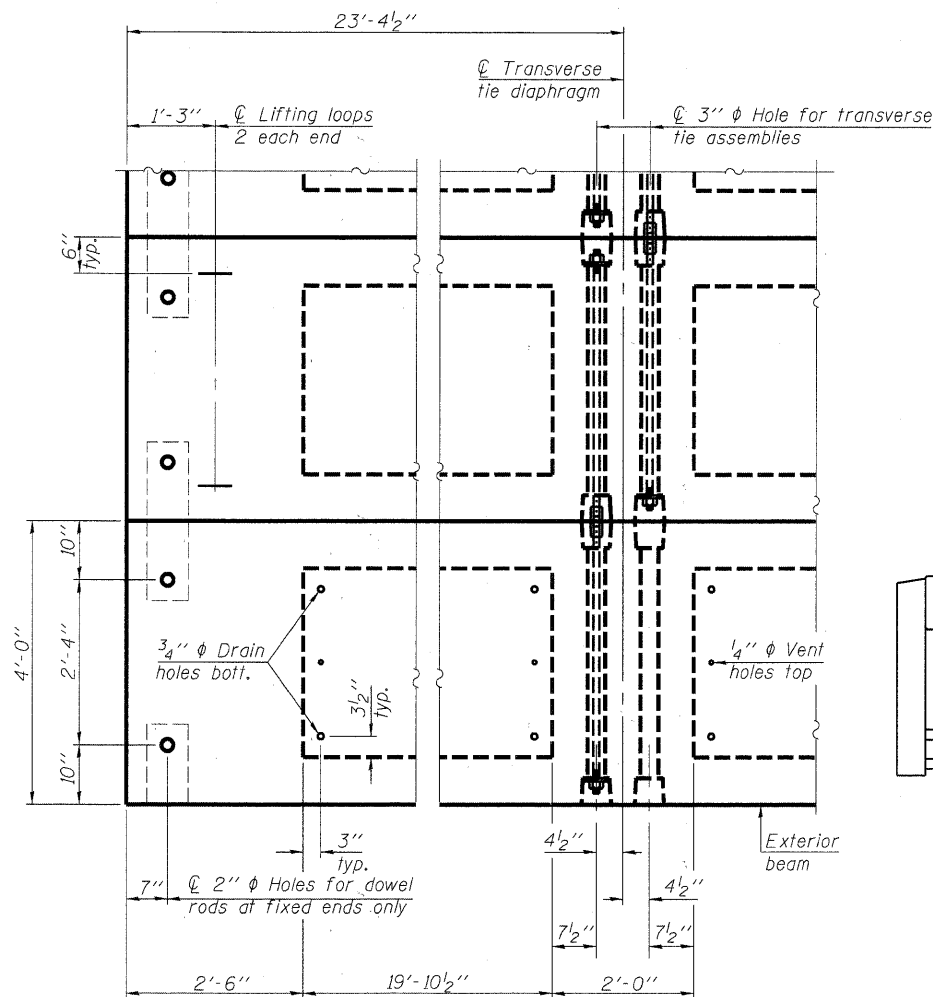
**BAR S2(E)**



**BAR A1(E)**

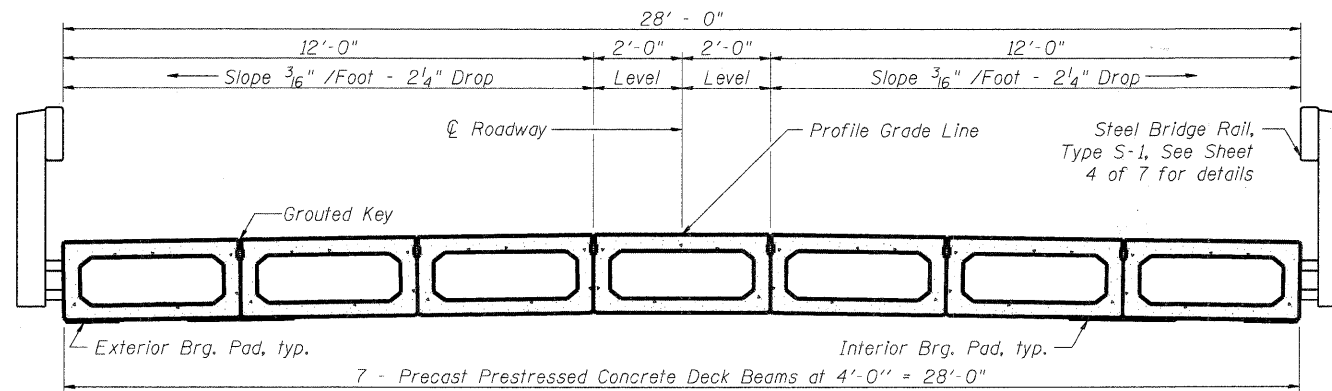


**LIFTING LOOP DETAIL**



**PLAN VIEW**

Note: Connect beams in pairs with the transverse tie configuration shown.



**CROSS SECTION**

**NOTES**

- Prestressing steel shall be uncoated high strength, low relaxation 7-wire strand, Grade 270. The nominal diameter shall be 1/2" and the nominal cross-sectional area shall be 0.153 sq. in.
- The 1" rods in the transverse tie assembly shall be tightened to a snug fit and the threads set. Pockets on exterior faces of bridge shall be filled with grout after transverse tie assembly is in place.
- Reinforcement bars shall conform to ASTM A 706, Grade 60. (See Special Provisions).
- Two 8" fabric adjusting shims of the dimensions of the exterior bearing pad shall be provided for each bearing pad location.
- A minimum 2 1/2" diameter lifting pin shall be used to engage the lifting loops during handling.
- Corrosion Inhibitor, per Article 1020.05(b)(12) and 1021.06 of the Standard Specifications, shall be used in the concrete for precast prestressed concrete deck beams.
- Compressive strength of prestressed concrete, f'c, shall be 6000 psi.
- Compressive strength of prestressed concrete at release, f'ci, shall be 5000 psi.

**BILL OF MATERIAL**

Precast Prestressed Conc. Deck Bms. (21" depth)	Sq. Ft.	1253
-------------------------------------------------	---------	------

PRINTED DATE: 2/21/2012 FILE NAME: c:\projects\coles\highway\_dept\tr\_282\acadd\drawings\sheet\07\_355\_Super\_Deck.dwg

PD-2148-0D 7-1-10

DESIGNED	DF
CHECKED	
DRAWN	ADG
CHECKED	

**ESI** CONSULTANTS, LTD  
753 WINDSOR ROAD  
CHARLESTON, IL 61920  
(217) 548-1900  
WWW.ESI-CONSULTANTS.LTD.COM  
ILLINOIS DEPARTMENT OF PROFESSIONAL REGULATION REGISTRATION #184-003685

**TR 282**  
COLES COUNTY

21" x 48" PPC DECK BEAM DETAILS  
STRUCTURE NO. 015-3427

SHEET NO 3 OF 7 SHEETS

TWP	SECTION	COUNTY	TOTAL SHEETS	SHEET NO
282	07-05136-00-BR	COLES	13	07
CONTRACT NO				
ILLINOIS FEDERAL AID PROJECT				