

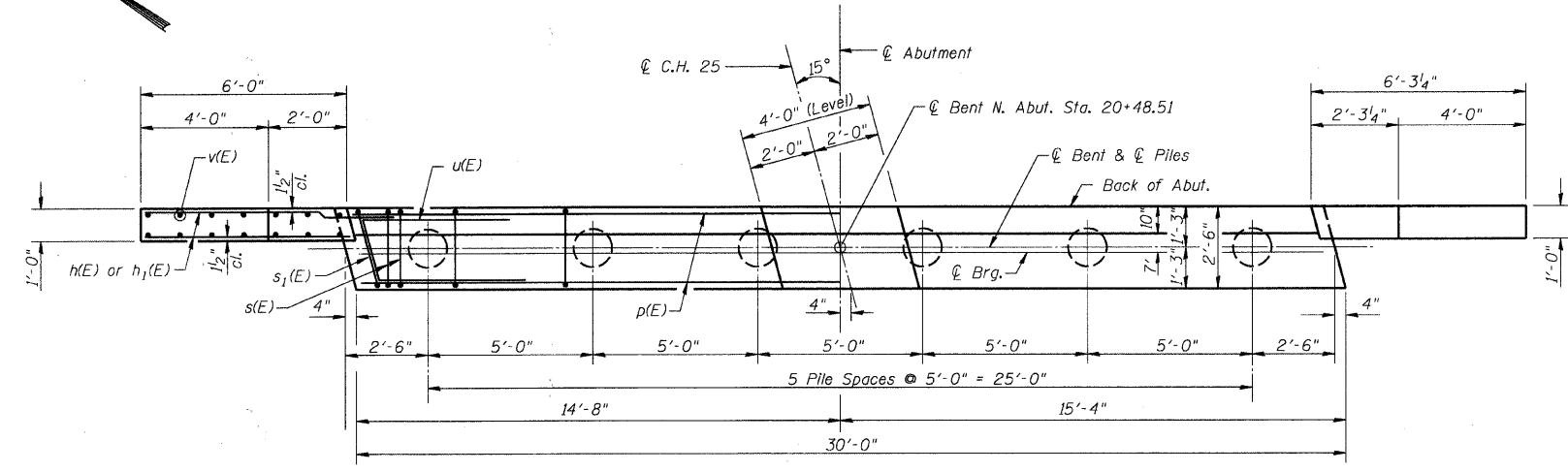
ROUTE NO.	SECTION	COUNTY	TOTAL SHEETS	SHEET NO.
C.H. 25	06-00213-00-BR	MACON	19	18
FED. ROAD DIST. NO.	ILLINOIS PROJECT:	BR5-0544(104)		
CONTRACT NO. 95680				

NOTES

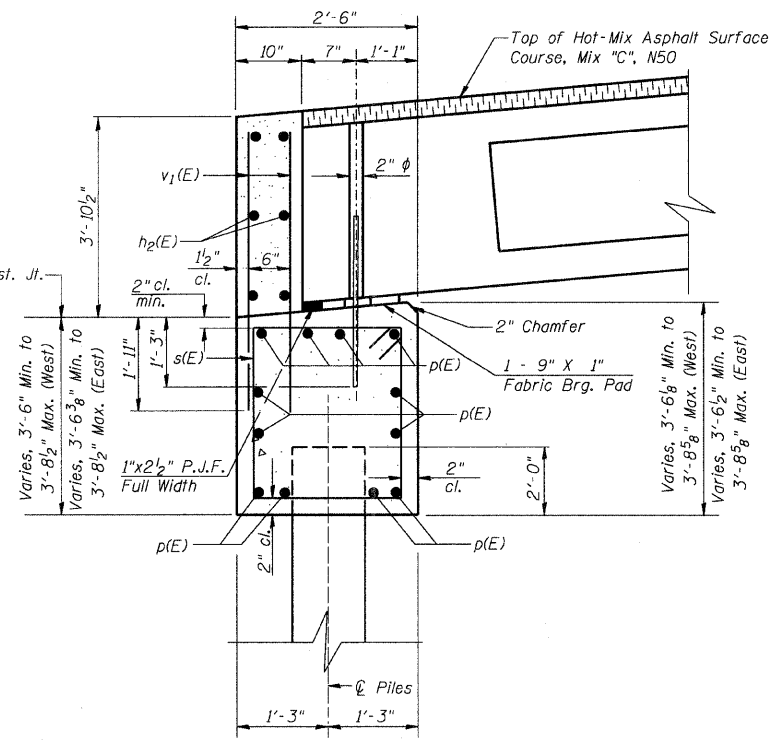
- The Backwall and the portion of the Wingwalls above the bonded construction joint shall be cast against the in-place beam.
- 1" dia. x 2'-6" dowel rods in 1/2" dia. holes drilled in cap (2 each beam). Dowel rods to be grouted after beams are in place and allowed to cure (min. 24 hrs.) prior to grouting the shear keys. The grout shall be an approved non-shrink grout.
- Reinforcement bars designated (E) shall be Epoxy coated.
- Reinforcement bars shall conform to the requirements of A.S.T.M A706 Grade 60. See Special Provisions.
- Space reinforcement in cap to miss dowel rods.
- The Contractor shall drive test piles to 110 Percent of the Nominal Required Bearing indicated in the Pile Data information before ordering the remainder of the piles.

DESIGN STRESSES

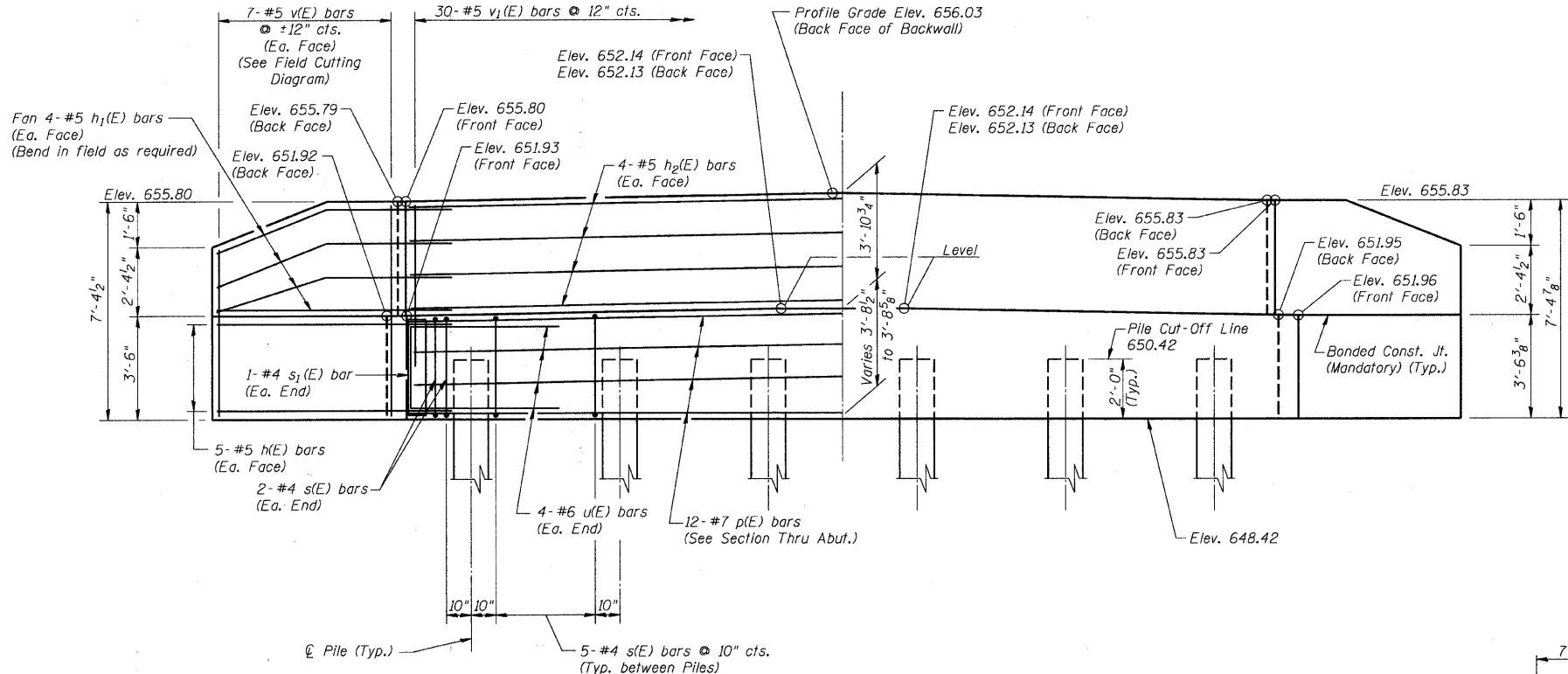
$f'_c = 3,500 \text{ psi}$
 $f_y = 60,000 \text{ psi}$



PLAN



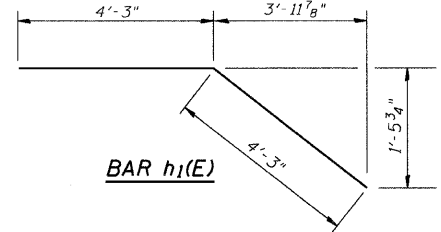
SECTION THRU ABUT.
(At Rt. Angles)



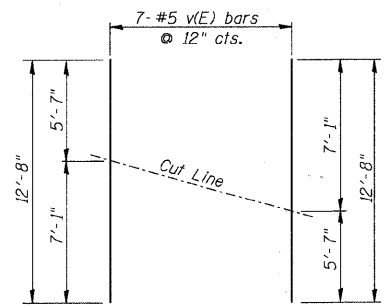
ELEVATION
(Looking North)

PILE DATA

Type & Size: Metal Shell - 14" dia. x 0.250 in. walls
 Nominal Required Bearing: 331 Kips
 Factored Resistance Available: 182 Kips
 Estimated Length: 53'-0"
 No. Required: 5 plus 1 Permanent Test Pile



BAR h1(E)



FIELD CUTTING DIAGRAM

Order bars full length. Cut to fit as shown and use remainder of bars in other face.

BILL OF MATERIAL NORTH ABUTMENT

Bar	No.	Size	Length	Shape
h(E)	20	#5	8'-3"	—
h1(E)	16	#5	8'-6"	—
h2(E)	8	#5	29'-8"	—
p(E)	12	#7	29'-8"	—
s(E)	29	#4	11'-5"	□
s1(E)	2	#4	11'-7"	□
u(E)	8	#6	11'-2"	—
v(E)	14	#5	12'-8"	—
v1(E)	60	#5	5'-7"	—
		Concrete Structures	Cu. Yd.	16.75
		Reinforcement Bars, Epoxy Coated	Pound	2200
		Metal Shell Pile 14" X 0.250"	Foot	265
		Test Pile Metal Shell	Each	1

BAR u(E)

BAR s(E) & s1(E)

NORTH ABUTMENT

Date	Designed MJP	C.H. 25 OVER KICKAPOO CREEK SECTION 06-00213-00-BR MACON COUNTY STA. 20+00.11 PROP. STR. NO. 058-3394	Sheet No.	
Revisions	Drawn BKN		6	
	Checked KWB			of 7
	Approved KWB			URS Job No. 36431926
Prepared by:	URS 345 East Ash Avenue Decatur, IL 62526			