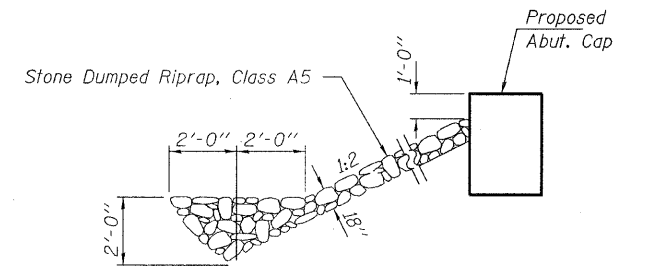
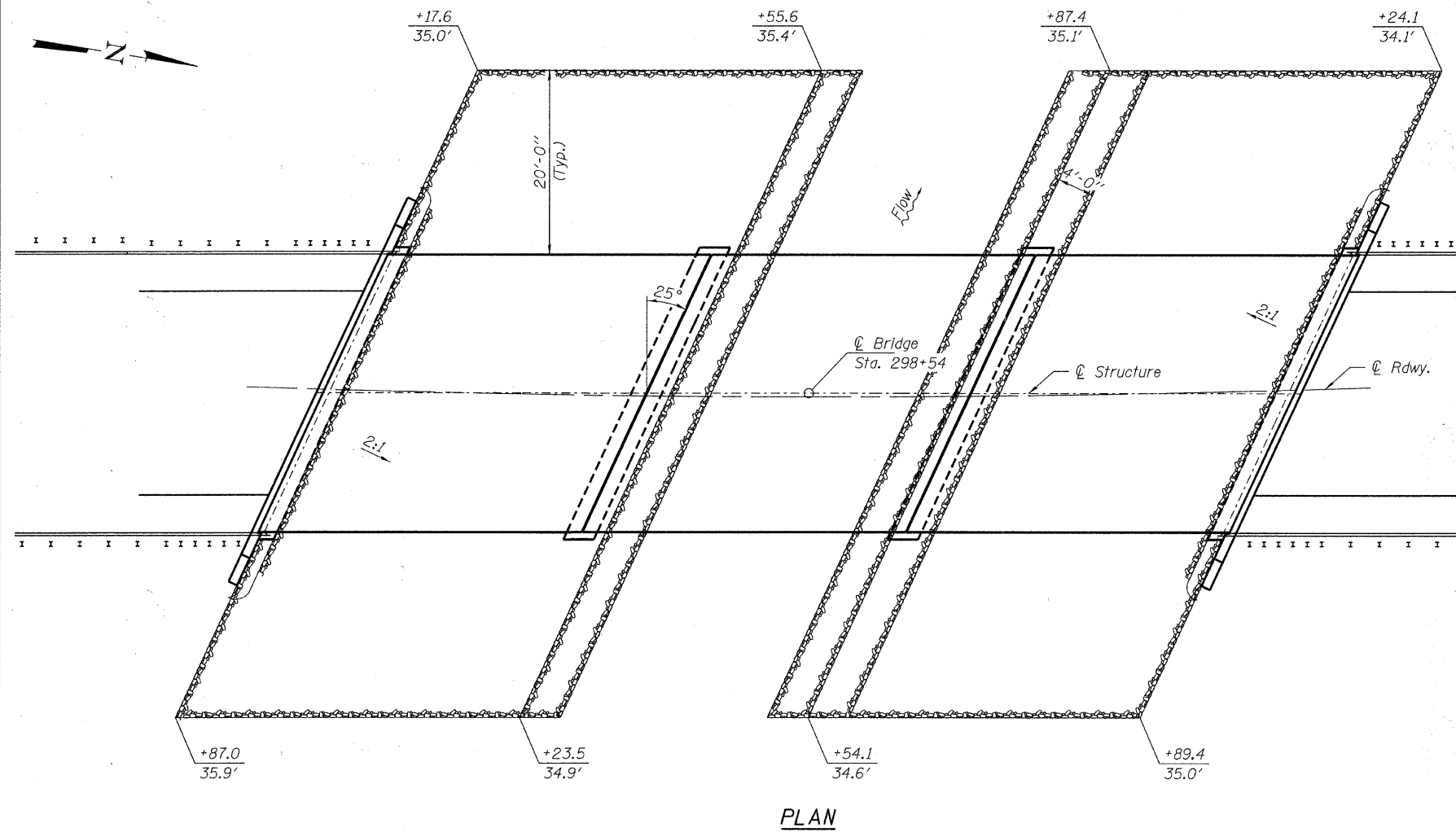


GENERAL NOTES

Layout of the slope protection system may be varied to suit ground conditions in the field as directed by the Engineer.
 The Contractor shall drive test piles to 110% of the nominal required bearing specified in production locations at the South Abutment and at Pier 2 or approved by the Engineer before ordering the remainder of piles.
 Reinforcement bars shall conform to the requirements of ASTM A 706 Gr 60. See Special Provisions.
 Excavation required to construct the Abutments and piers shall be included in the cost of Concrete Structures. No additional compensation will be allowed for Structure Excavation.
 All proposed construction activities shall be in accordance with Nationwide Permit number 14 of the Department of the Army authorized under Section 404 of the Clean Water Act.
 The IEPA has issued Section 401 Water Quality Certification for this activity. See Special Provisions for conditions.



SECTION A-A

Note: See Special Provisions for Stone Dumped Riprap, Class A5.

BENNETT CREEK
 BUILT 201L BY
 CRAWFORD COUNTY
 SEC. 11-00096-00-BR
 C.H. 3 / F.A.S. 698
 STR. NO. 017-3061
 LOADING HL-93

NAME PLATE
 See Std. 515001

FILE NAME = 110368-ah-bridge.dgn	USER NAME =	DESIGNED - D.W.T.	REVISED -	STATE OF ILLINOIS CRAWFORD COUNTY HIGHWAY DEPARTMENT	GENERAL PLAN & ELEVATION STRUCTURE NO. 017-3061	C.H.	SECTION	COUNTY	TOTAL SHEETS	SHEET NO.	
HAMPTON, LENZINI AND RENWICK, INC. 308 STEVENSON DRIVE, SUITE 201 SPRINGFIELD, ILLINOIS 62703		CHECKED - S.M.S.	REVISED -			3	11-00096-00-BR	CRAWFORD	16	6	
HLR ILLINOIS PROFESSIONAL DESIGN FIRM L3 / PE / SE CORP. 184-00089	PLOT SCALE =	DRAWN - D.A.B.	REVISED -			CONTRACT NO. 95682					
	PLOT DATE = 3/29/2012	CHECKED - S.W.M.	REVISED -			ILLINOIS FED. AID PROJECT					