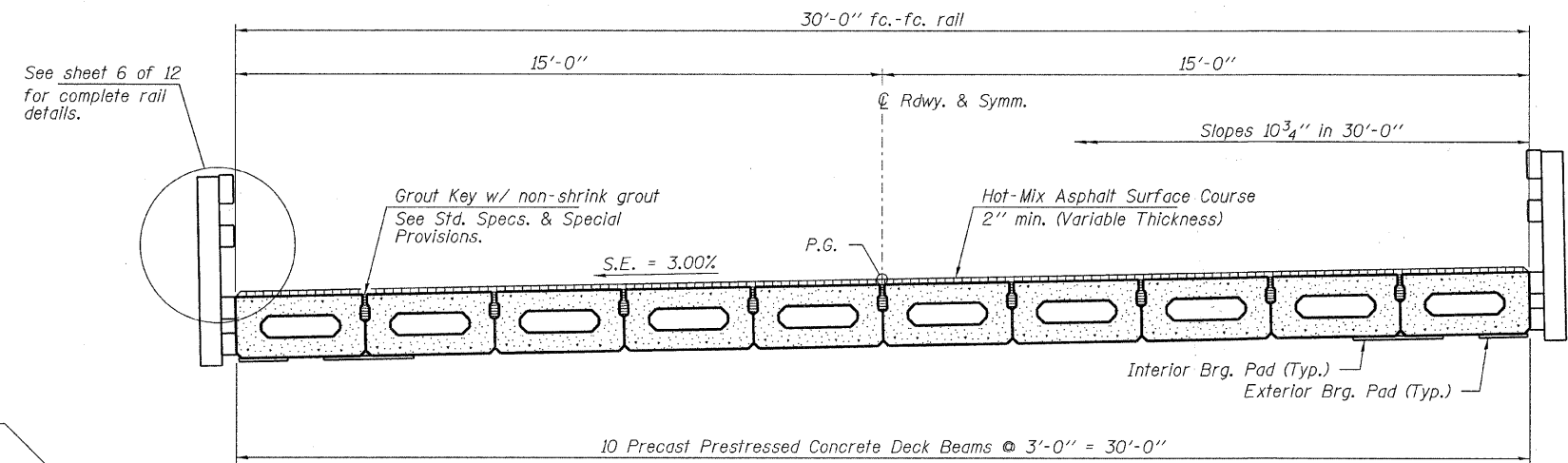
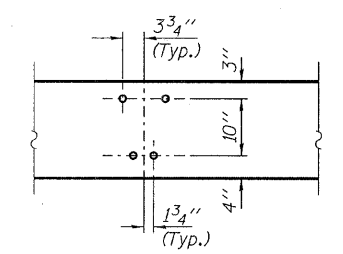


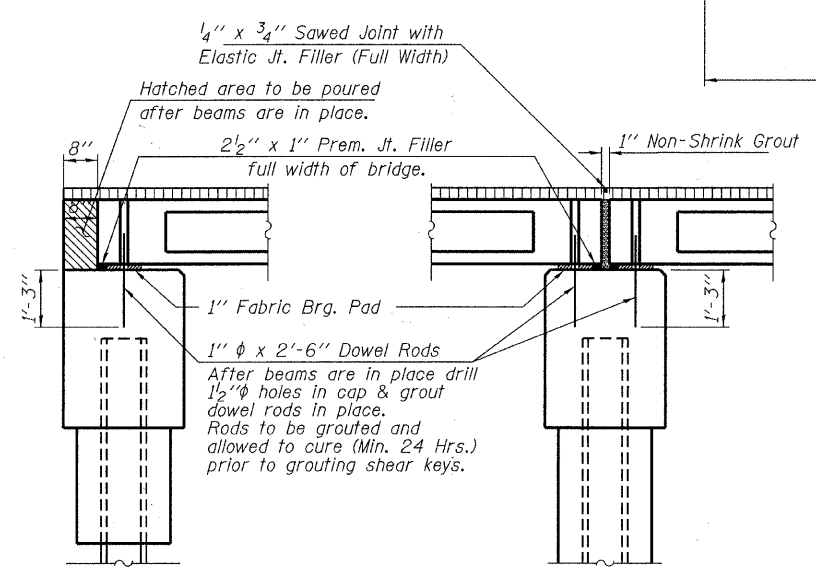
ELEVATION
Showing Rail Post Spacing
See sheet 6 of 12 for Railing Details.



CROSS SECTION
See sheets 3 & 4 of 12 for Superstructure.

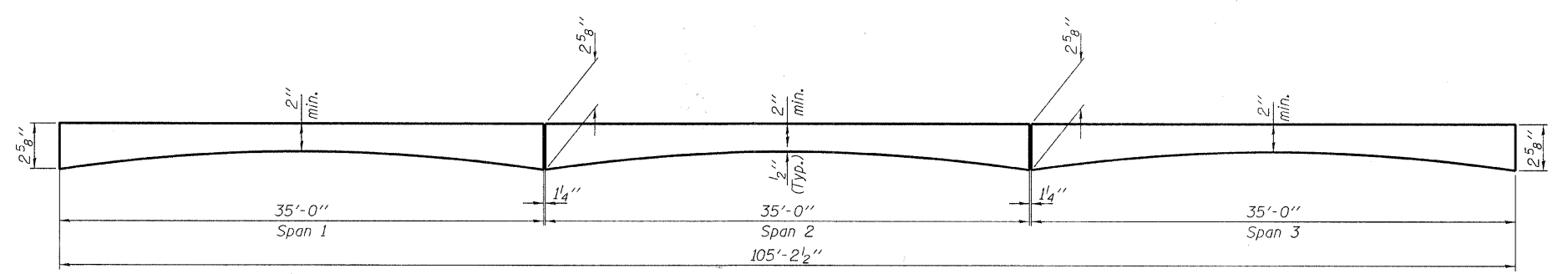


DETAIL A



SECTION AT ABUTMENTS
© Rt. L's

SECTION AT PIERS
© Rt. L's



ANTICIPATED HMA WEARING SURFACE PROFILE
(For information only - beam camber may vary in field.)

FILE NAME = 110368-shr-bridge.dgn	USER NAME =	DESIGNED - D.W.T.	REVISED -	STATE OF ILLINOIS CRAWFORD COUNTY HIGHWAY DEPARTMENT	SUPERSTRUCTURE DETAILS STRUCTURE NO. 017-3061	C.H.	SECTION	COUNTY	TOTAL SHEETS	SHEET NO.	
HAMPTON, LENZINI AND RENWICK, INC. 3805 STEVENSON DRIVE, SUITE 301 SPRINGFIELD, ILLINOIS 62703	PLOT SCALE =	CHECKED - S.M.S.	REVISED -			3	11-00096-00-BR	CRAWFORD	16	9	
HLR ILLINOIS PROFESSIONAL DESIGN FIRM L3 / PE / SE CORP. 134-000929	PLOT DATE = 3/29/2012	DRAWN - D.A.B.	REVISED -			CONTRACT NO. 95682					
		CHECKED - S.W.M.	REVISED -			ILLINOIS FED. AID PROJECT					
						SHEET NO. 5 OF 12 SHEETS					