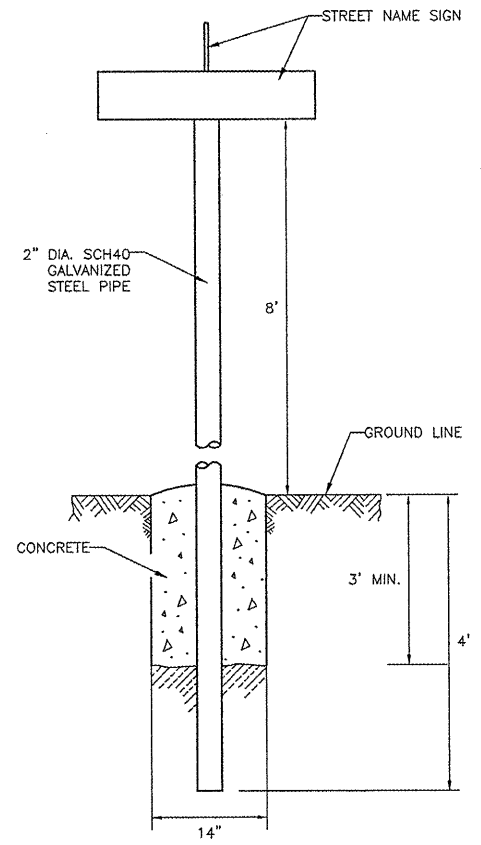
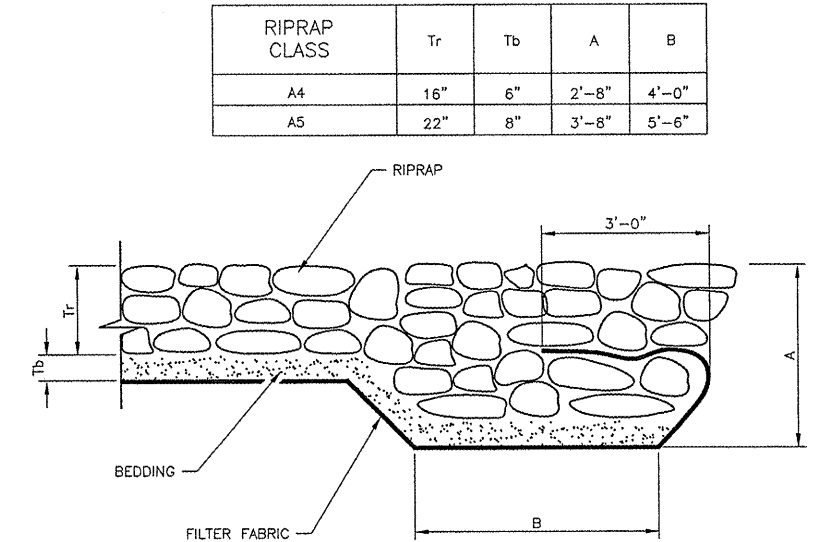


**DOWNSPOUT INLET/CLEANOUT
DETAIL**
(NOT TO SCALE)

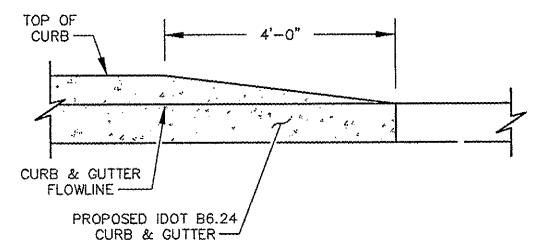


STREET NAME SIGN SUPPORT DETAIL
(NOT TO SCALE)

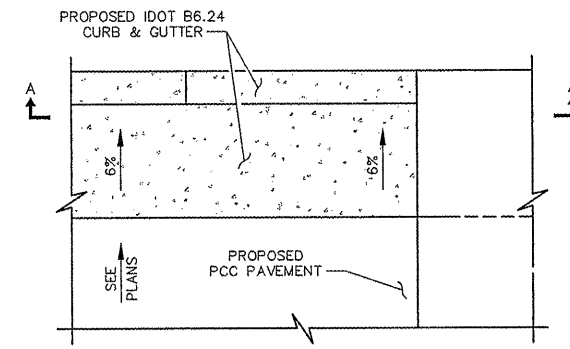


RIPRAP CLASS	Tr	Tb	A	B
A4	16"	6"	2'-8"	4'-0"
A5	22"	8"	3'-8"	5'-6"

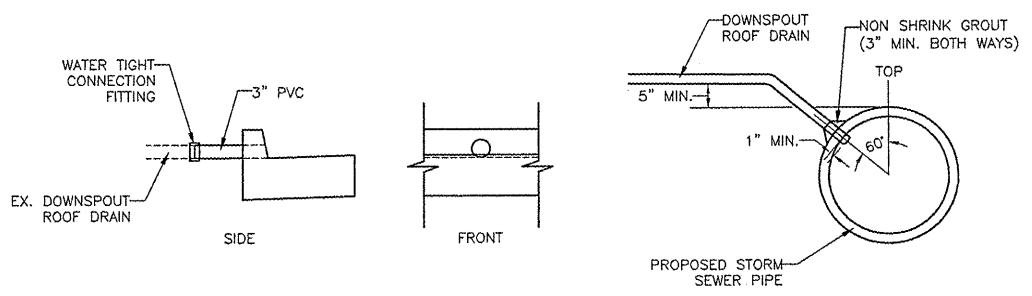
STONE RIP-RAP EDGE TREATMENT
(NOT TO SCALE)



SECTION A-A
N.T.S.



CURB HEIGHT TRANSITION DETAIL
(NOT TO SCALE)



GUTTER DRAIN DETAIL
(NOT TO SCALE)

- NON SHRINK GROUT IN CONFORMANCE WITH SECTION 1024 OF THE STANDARD SPECIFICATIONS FOR ROAD AND BRIDGE CONSTRUCTION TO BE USED TO GROUT HOLE SHUT. A MINIMUM 3" RING TO BE PLACED AROUND THE HOLE OR OF ADEQUATE SIZE TO CLOSE LARGER HOLE.
- IF FLEXIBLE TUBING IS USED, PIPE MAY BE BENT TO FORM AN ELBOW, HOWEVER; CARE SHALL BE AT LEAST 5" ABOVE THE TOP OF PIPE AS DETAILED.
- A UNIFORM GRADE SHALL BE MAINTAINED FROM THE EXISTING PIPE TO THE "ELBOW" TO ASSURE DRAINAGE.
- THE CONNECTION FROM THE EXISTING GUTTER DRAIN TO THE PROPOSED ROOF DRAIN PIPE SHALL FORM AN APPROVED WATER TIGHT JOINT.