

Job No. 088-09  
Scale: 1"=5'  
Drawn by: BEC  
Design by: BEC  
Approved by: CMB  
File Name: 8thoh Plans

ISSUE RECORD

DATE	ISSUE
1/28/12	PS&E

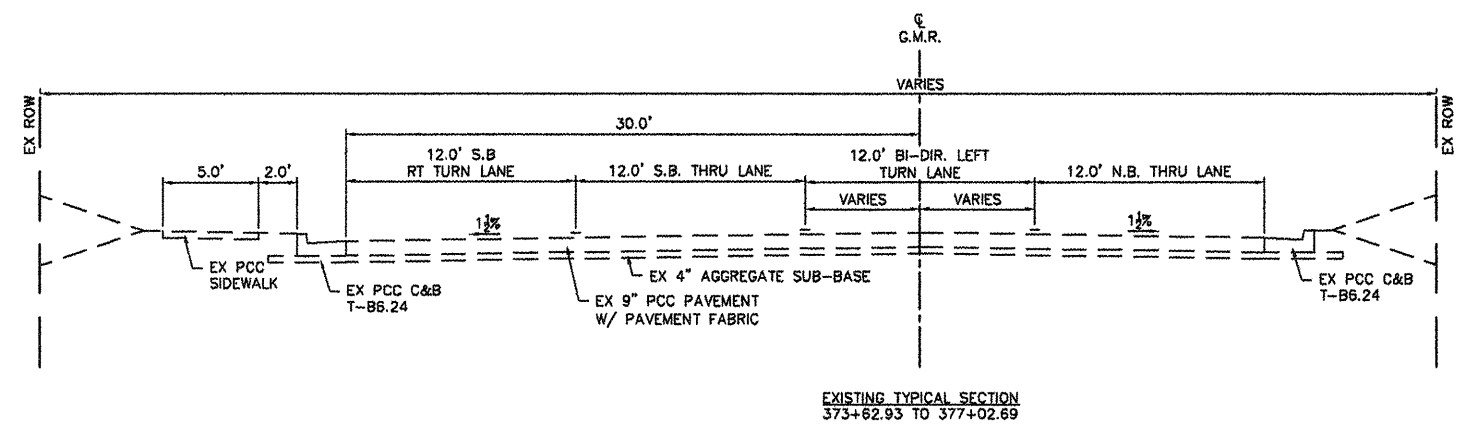
Corporate Engineering Certificate # 000387



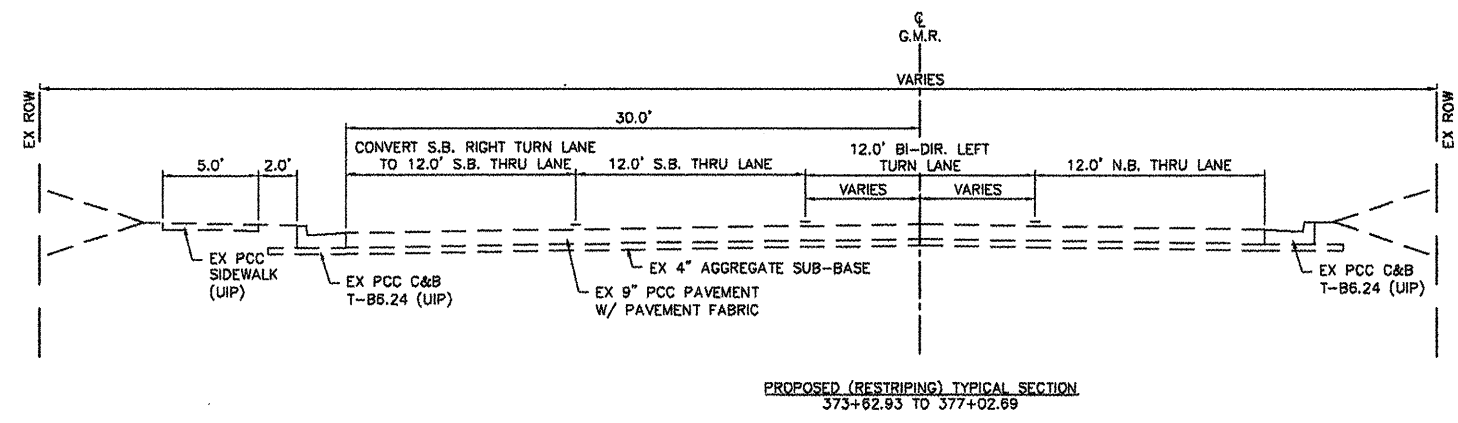
**CBB** Crawford, Bunte, Brammeier  
Traffic and Transportation Engineers  
St. Louis, Missouri/Clair Carbon, Illinois  
314-878-6644 618-656-2612  
Fax: 314-878-5876 E-Mail: cbb@cbbtraffic.com

TYPICAL SECTIONS

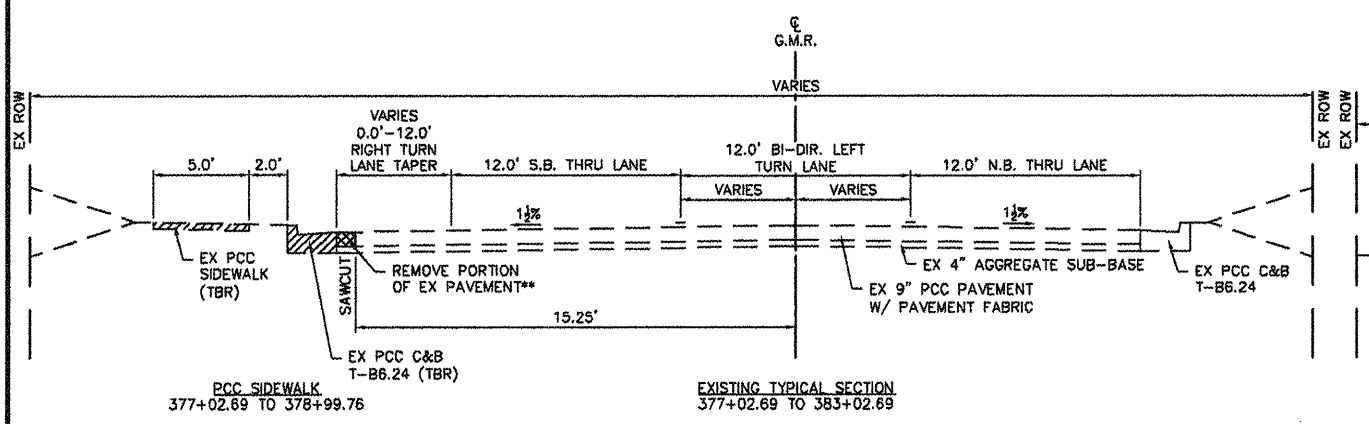
N. GREEN MOUNT ROAD & I-64  
E.B. RAMP, W.B. RAMP &  
REGENCY PARK/PIERCE BLVD  
SHILOH, ILLINOIS



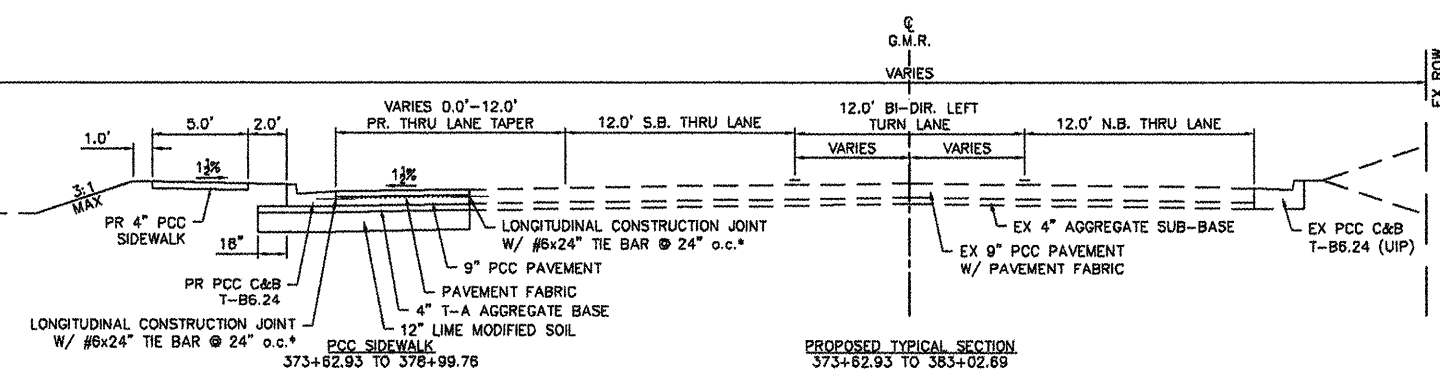
EXISTING TYPICAL SECTION  
373+62.93 TO 377+02.69



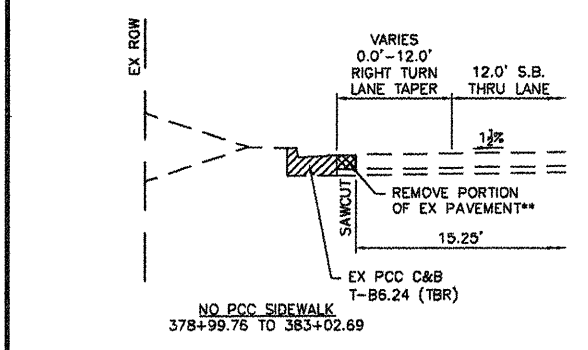
PROPOSED (RESTRIPING) TYPICAL SECTION  
373+62.93 TO 377+02.69



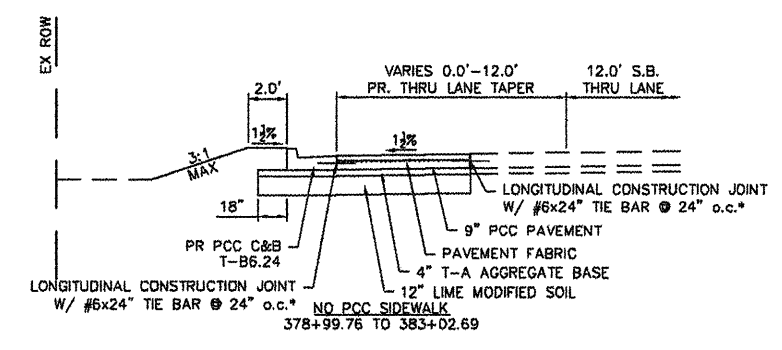
EXISTING TYPICAL SECTION  
377+02.69 TO 383+02.69



PROPOSED TYPICAL SECTION  
373+62.93 TO 378+99.76



EXISTING TYPICAL SECTION  
378+99.76 TO 383+02.69



PROPOSED TYPICAL SECTION  
378+99.76 TO 383+02.69

\*LONGITUDINAL CONSTRUCTION JOINTS SHALL BE CONSTRUCTED PER STANDARD 420001 AND THE COST OF WHICH SHALL BE INCLUDED IN PAY ITEM PCC PAVEMENT 9\"/>

\*\* THE COST OF REMOVING THE SMALL PORTION OF THE EXISTING PAVEMENT (FROM THE PROPOSED SAW CUT TO THE EXISTING EDGE OF PAVEMENT) SHALL BE INCLUDED IN THE COST OF CONCRETE CURB AND GUTTER REMOVAL.

MIXTURE USE	SHLDR 8"
ACPG	PG 58-22
RAP% (MAX)	30%
DESIGN AIR VOIDS	2.0% @ N <sub>95</sub>
MIX COMPOSITION (GRADATION MIXTURE)	BAM
FRICION AGG	BAM

\* TOP LIFT OF SHOULDER - DESIGN THIS MIX AT 2.0% VOIDS AND ADD ASPHALT TO REDUCE VOIDS TO 1.5%

F.A.U. RTE.	SECTION	COUNTY
91TD	08-00333-12-PW	ST. CLAIR
ILLINOIS	CONTRACT NO. 97492	