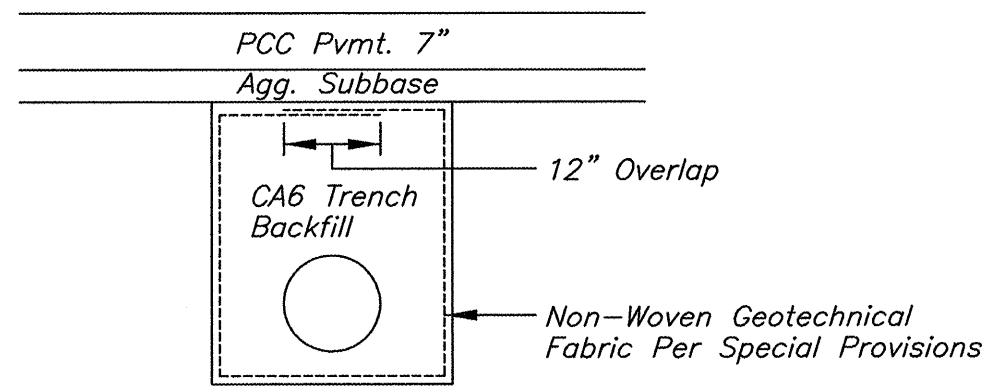
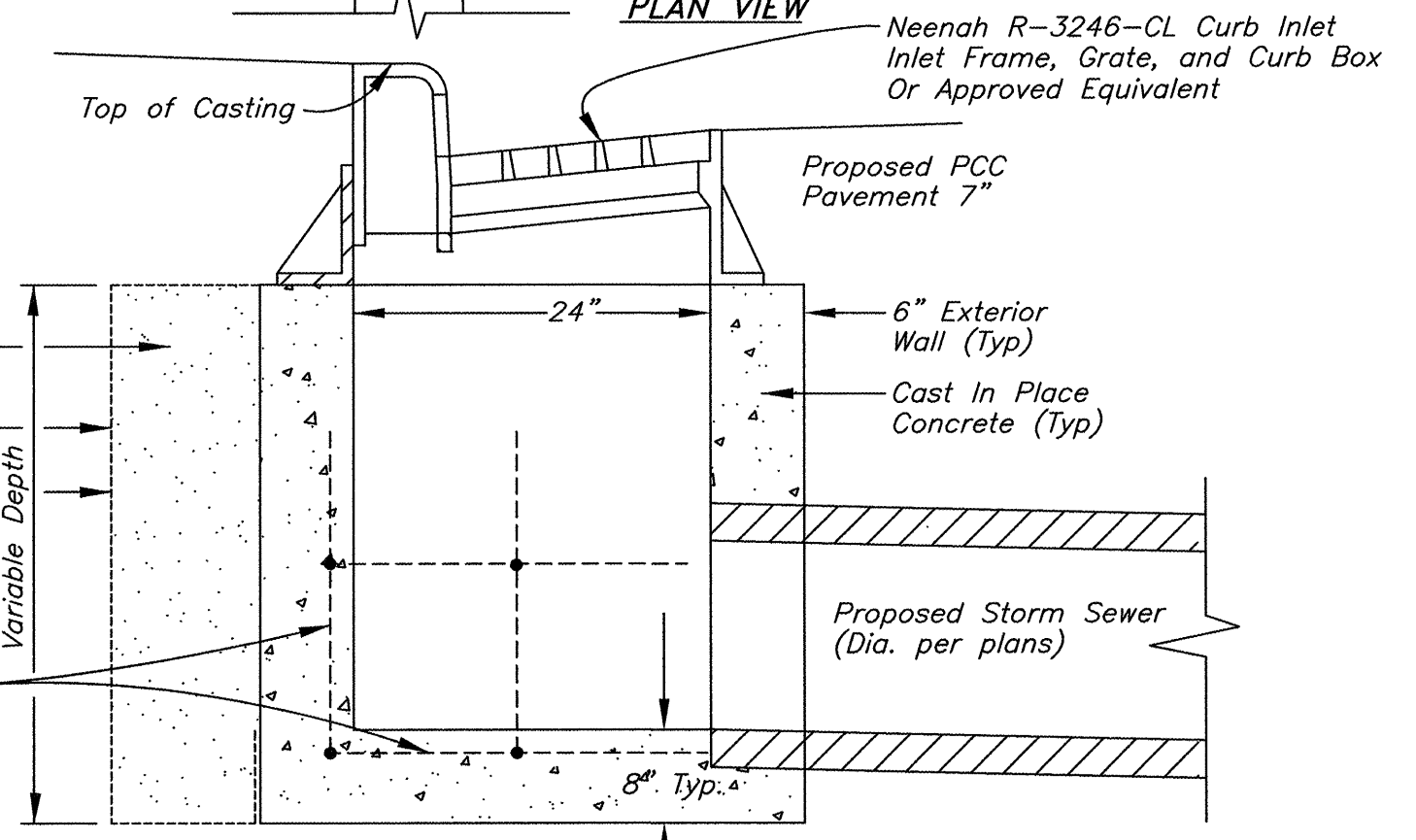
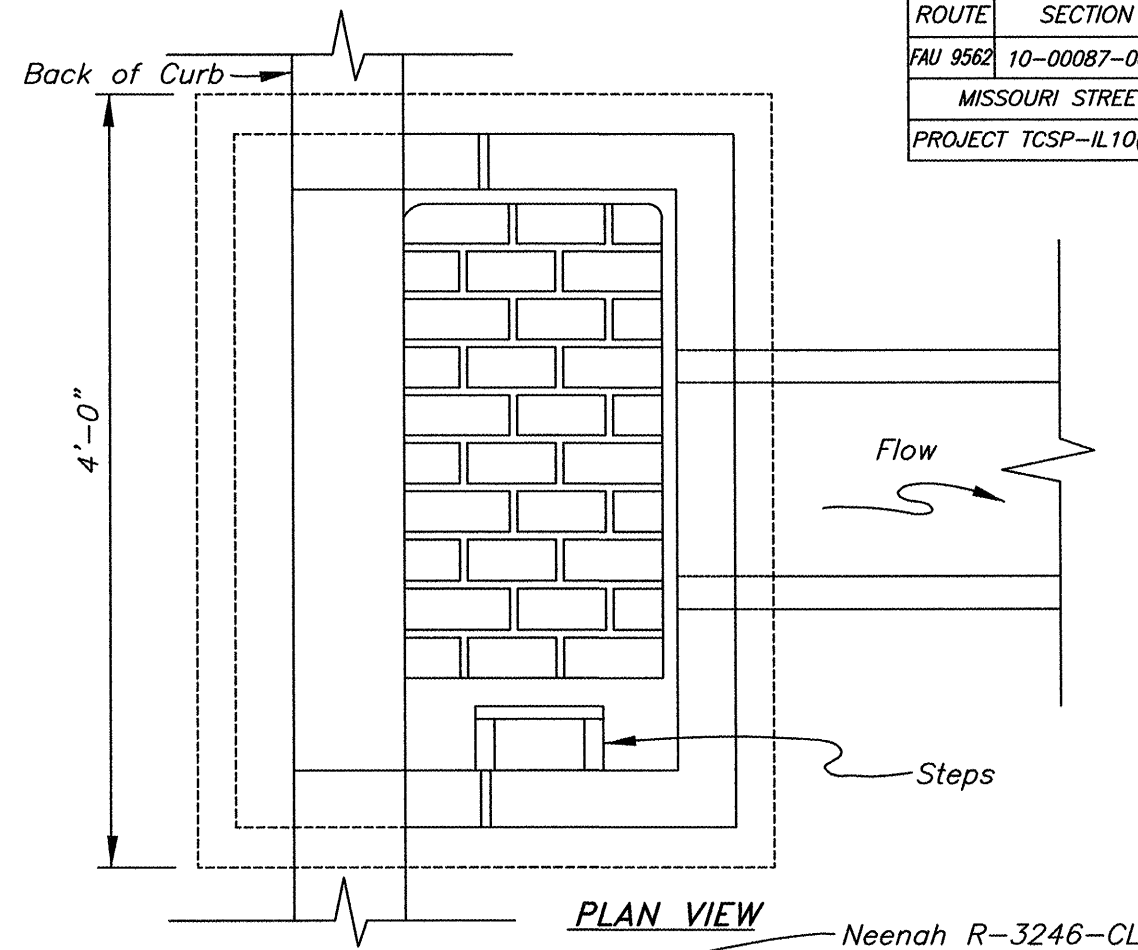


ROUTE	SECTION	COUNTY	TOTAL SHEETS	SHEET NO.
FAU 9562	10-00087-00-PV	SALINE	36	7
MISSOURI STREET		HARRISBURG		
PROJECT TCSP-IL10(101)		JOB C-99-545-10		



TYPICAL TRENCH BACKFILL DETAIL
ALL STORM SEWER PIPES STA 9+50 TO 21+55



CA6 Backfill

Limits of Excavation

Non-Woven Geotechnical Fabric Per Special Provisions (For Inlets Sta 9+50 to 21+55)

Variable Depth

Place #4 bars 12" centers in both directions in walls and in top of bottom slab.

DETAIL - INLETS, SPECIAL