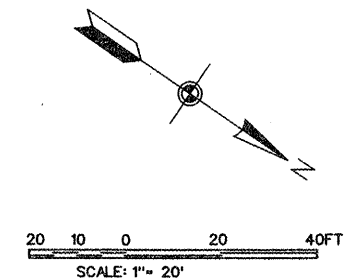
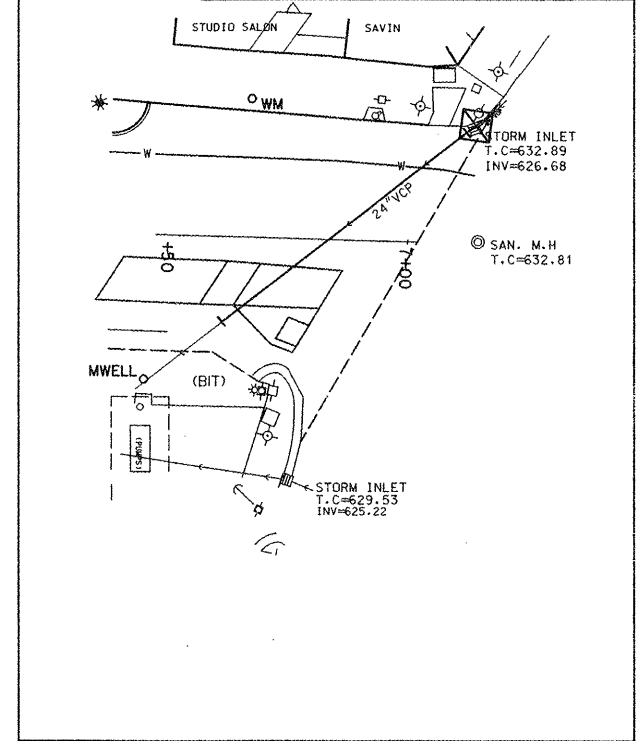
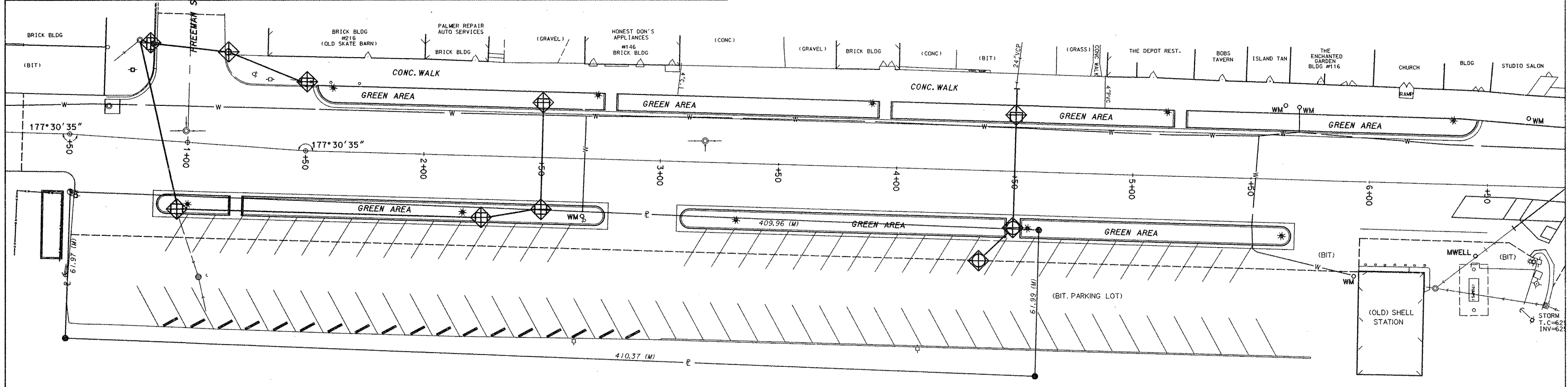
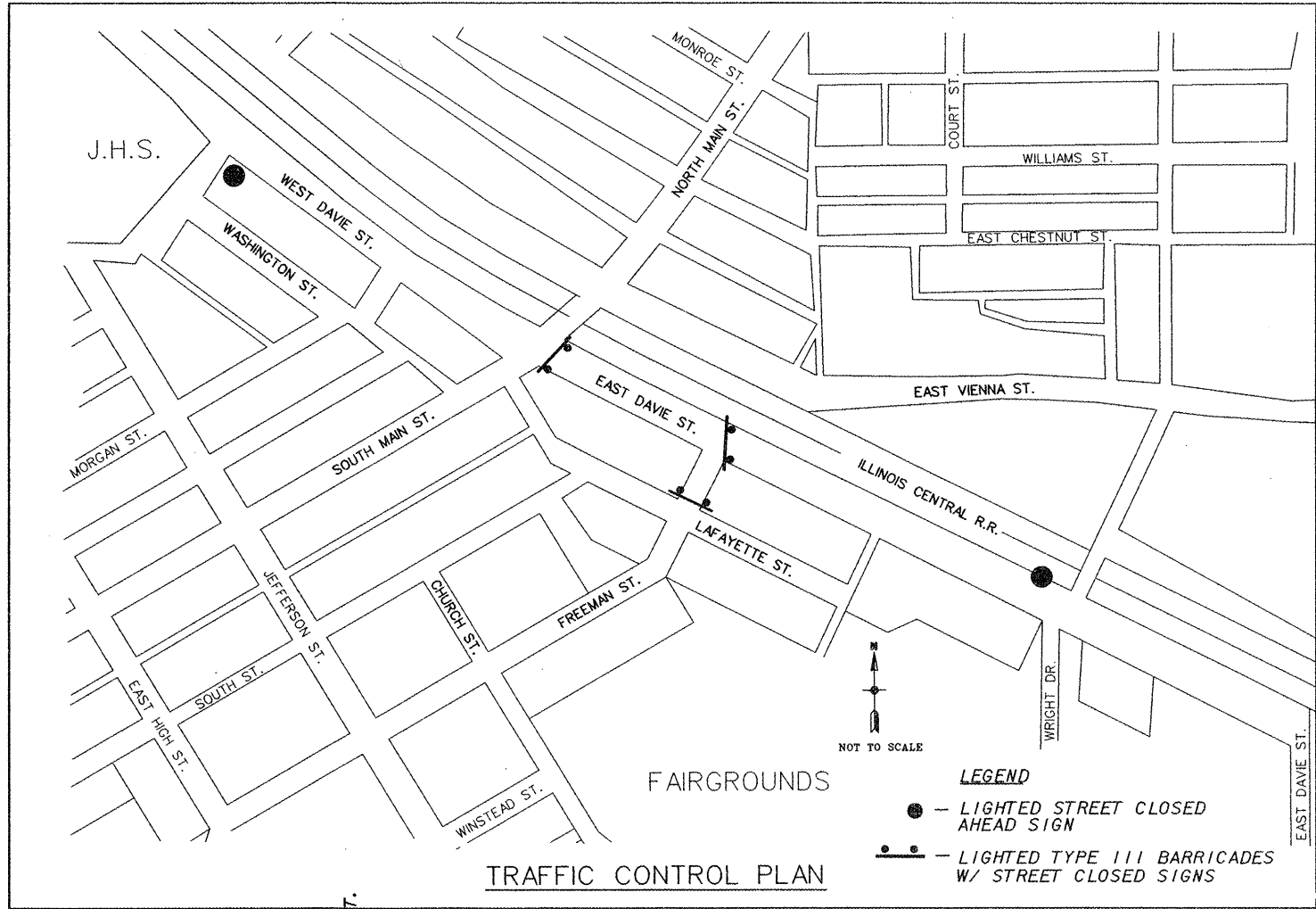


F.A.U. ROUTE	SECTION	COUNTY	TOTAL SHEETS	SHEET NUMBER
9910	10-00050-00-RS	UNION	16	7
CITY OF ANNA		PROJECT NO. M-5080(006)		
CONTRACT NO. 99470		JOB NO. C99-542-10		



- LEGEND**
- ☼ — PROPOSED STREET LIGHT
 - ⊕ — TRAFFIC SIGNAL
 - ⊙ — EXISTING STREET LIGHT
 - ⊠ — ELECTRIC POLE
 - — TELEPHONE POLE
 - — SIGN
 - ⊕ — HYDRANT
 - WM — WATER METER



- LEGEND**
1. ALL ITEMS SHALL BE CONSTRUCTED AS SHOWN ON ILLINOIS DEPARTMENT OF TRANSPORTATION HIGHWAY STANDARD 280001 AND AS DIRECTED BY THE ENGINEER. MAINTENANCE AND CLEANING OF THE EROSION CONTROL ITEMS SHALL BE INCLUDED IN THE RESPECTIVE EROSION CONTROL PAY ITEM.
 2. SEE STORM WATER PREVENTION PLAN (SWPPP) BDE 2342 INCLUDED IN SPECIAL PROVISIONS.

◆ — INLET AND PIPE PROTECTION - 11 EACH

CITY OF ANNA UNION COUNTY, ILLINOIS
IMPROVEMENTS TO EAST DAVIE STREET
STORM WATER POLLUTION PREVENTION PLAN - TRAFFIC CONTROL PLAN