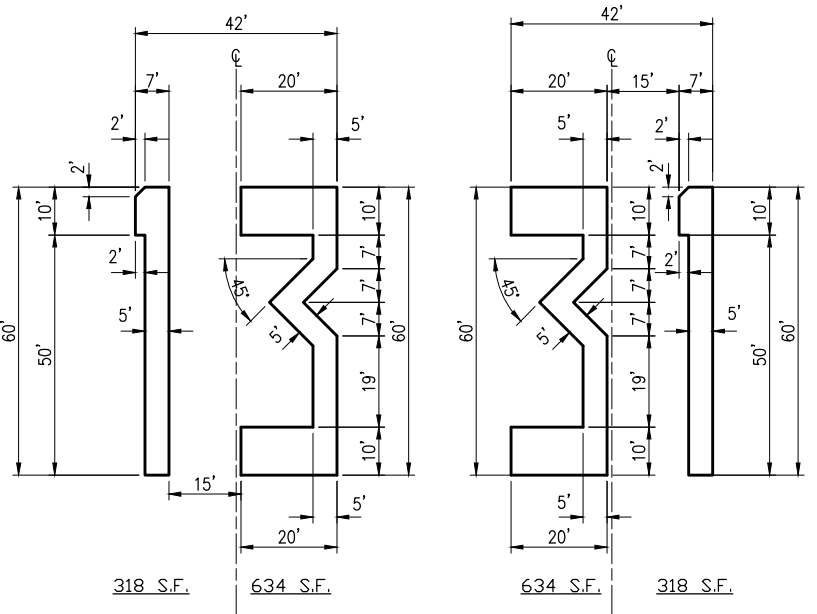


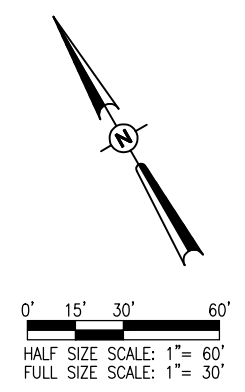
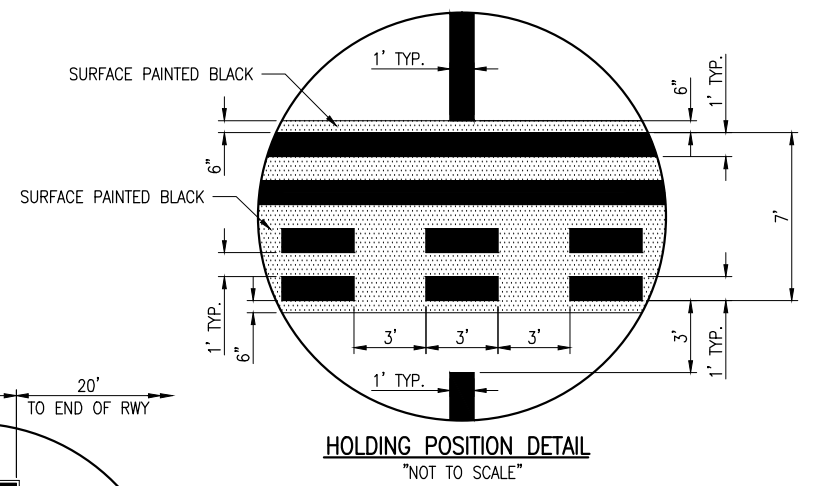
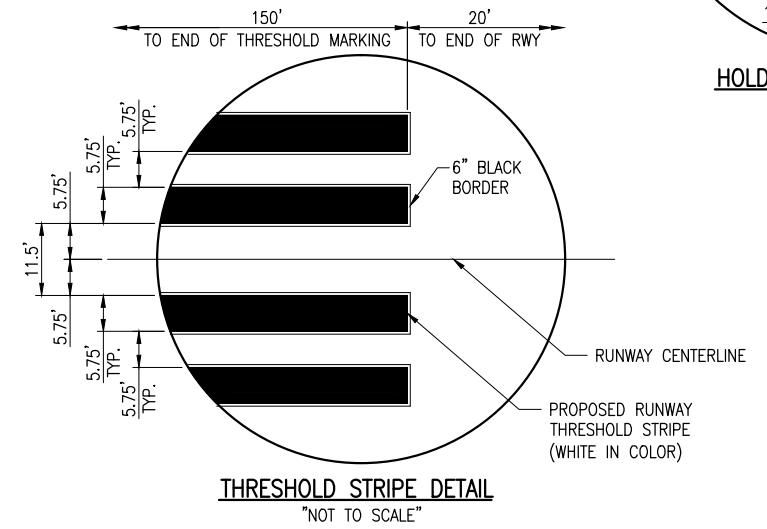
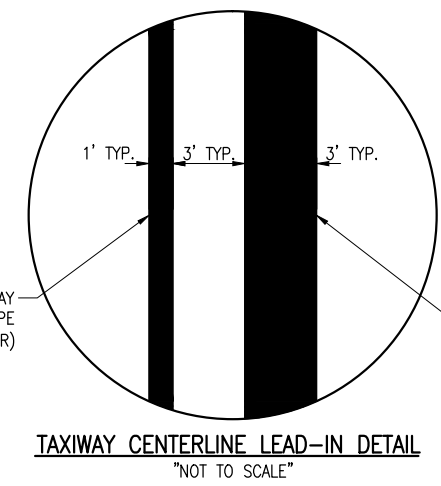
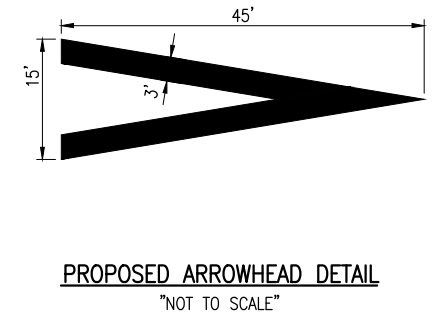
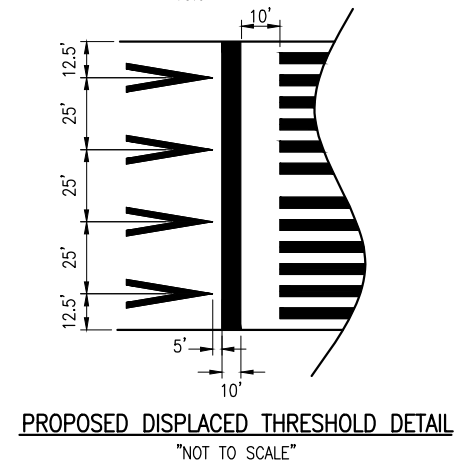
LEGEND

	PROPOSED PAVEMENT IMPROVEMENTS
	PROPOSED MARKING
	PROPOSED TIE-DOWNS



RUNWAY NUMERAL 13
"NOT TO SCALE"

RUNWAY NUMERAL 31
"NOT TO SCALE"



REVISION	DATE	BY

JOLIET REGIONAL AIRPORT
JOLIET PARK DISTRICT
JOLIET, ILLINOIS

IL PROJ.: JOT-4043
A.I.P. PROJ.: 3-17-0056-B6

Hanson Project No. 09A0152D_0001	FILENAME: R-151MRK.DWG	DATE: 5/14/12
Scale: 1" = 30'	LAYOUT: KBS	04/19/12
Drawn: [Signature]	DRAWN: BAK	04/19/12
Reviewed: [Signature]	REVIEWED: RAW	4/20/12

HANSON
Hanson Professional Services Inc.
1525 South Sixth Street
Springfield, IL 62762-2886
Offices Nationwide

REHAB RUNWAY 13-31, REPLACE
APRON, CONSTRUCT TAXIWAY A1

RUNWAY MARKING PLAN
STA. 20+00 TO STA. 27+00

MAY 14, 2012 12:06 PM SCHMEIDT296
I:\AIRPORTS\JOLIET\09A0152\CADD\AIRPORT\PROJECTSHEET\R-151MRK.DWG - RUNWAY MARKING PLAN STA. 20+00 TO STA. 27+00