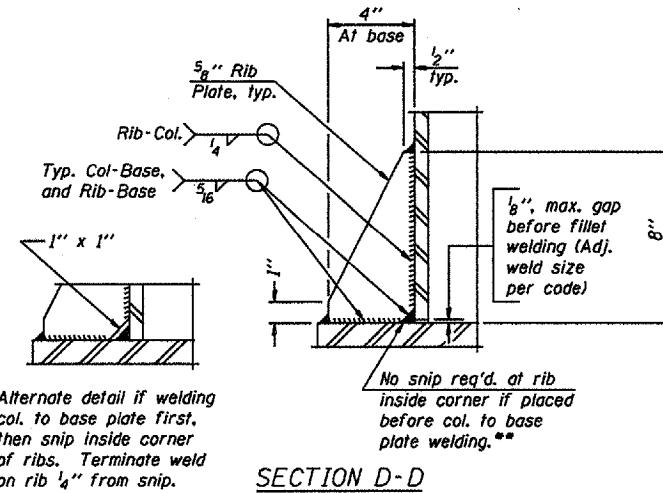
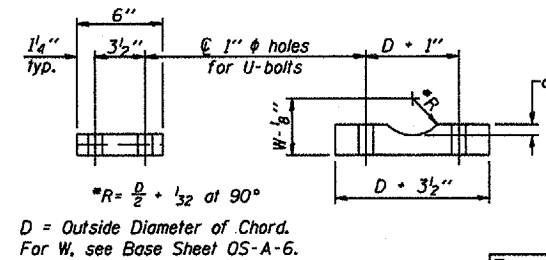


SECTION B-B



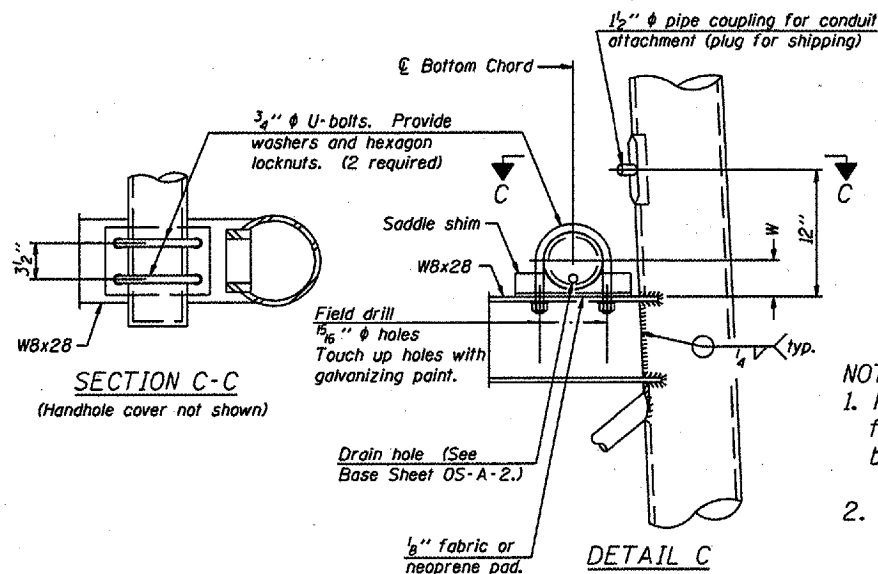
SECTION D-D



SADDLE SHIM DETAIL

ASTM B26 Alloy 356-F  
or  
ASTM B209 Alloy 6061-T651  
(4 required per sign truss)

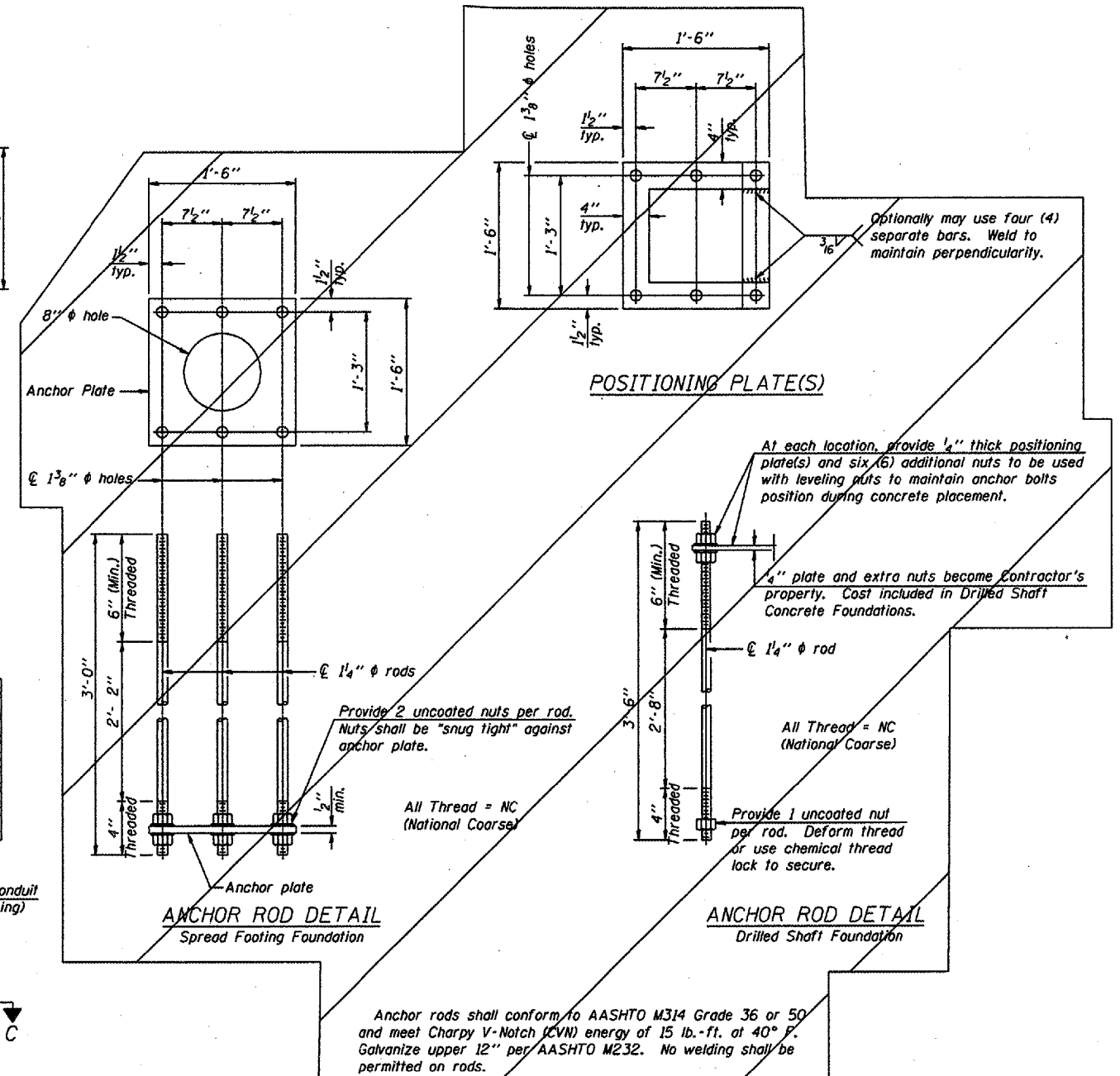
Truss Chord Nominal Dia.	a
5"	3 3/4"
5 1/2"	4 1/8"
6"	4 1/2"
6 1/2"	5 1/8"
7"	6"



SECTION C-C

(Handhole cover not shown)

DETAIL C



10"  $\phi$  PIPE SUPPORT FRAME DETAILS

NOTES:

1. New End Supports to be installed on existing concrete foundations with existing anchor bolts. Provide new anchor bolt nuts and washers as necessary.
2. The Contractor and the Engineer shall field verify the existing end support dimensions and the existing anchor bolt dimensions prior to fabrication of the new end supports.

OVERHEAD SIGN STRUCTURES  
SUPPORT FRAME DETAILS ALUMINUM TRUSS

District 1  
End Support Replacement

NUMBER	REVISION	DATE

DESIGNED	20
CHECKED	EXAMINED
DRAWN	PASSED
CHECKED	ENGINEER OF BRIDGES AND STRUCTURES

OS-A-6A

1-7-05