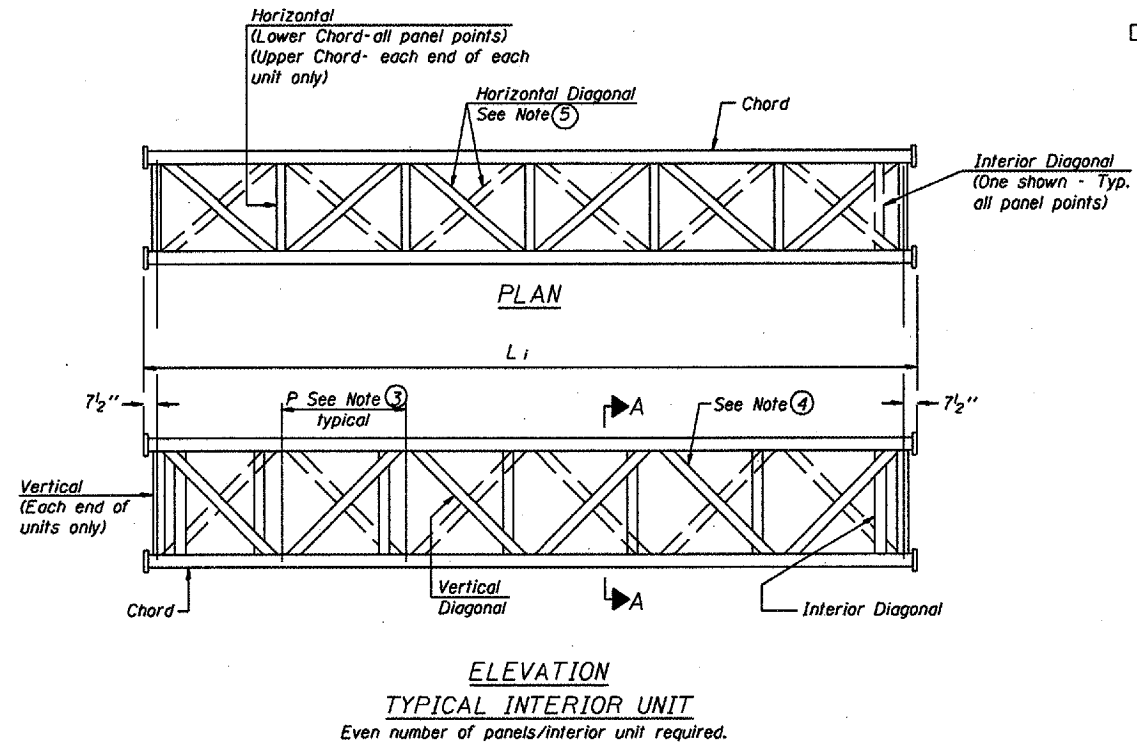
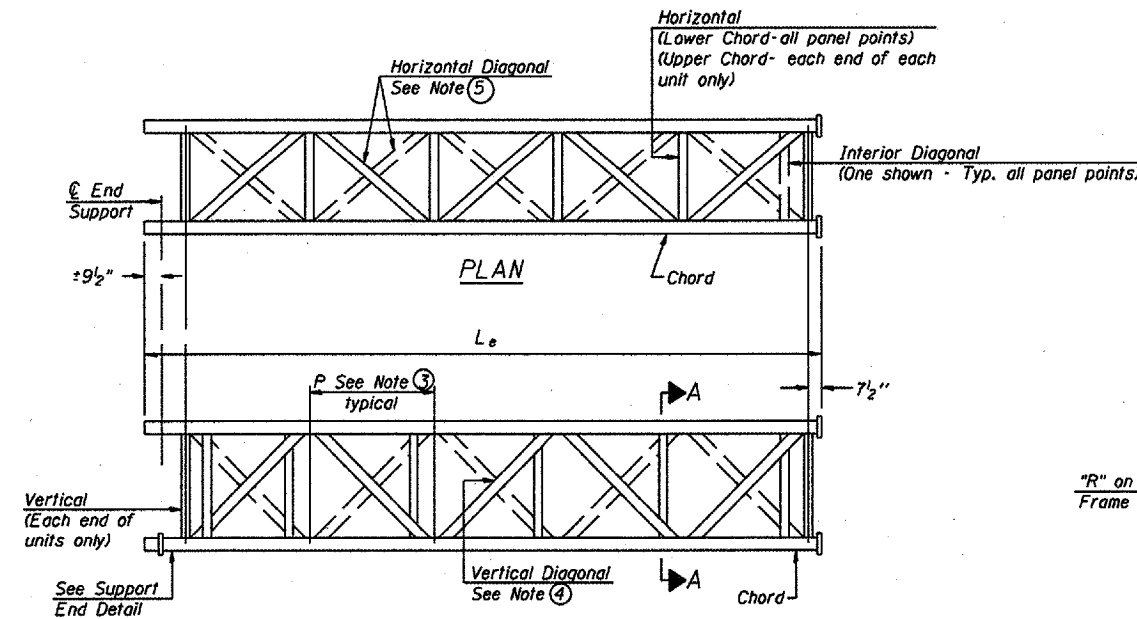


STATE OF ILLINOIS
DEPARTMENT OF TRANSPORTATION

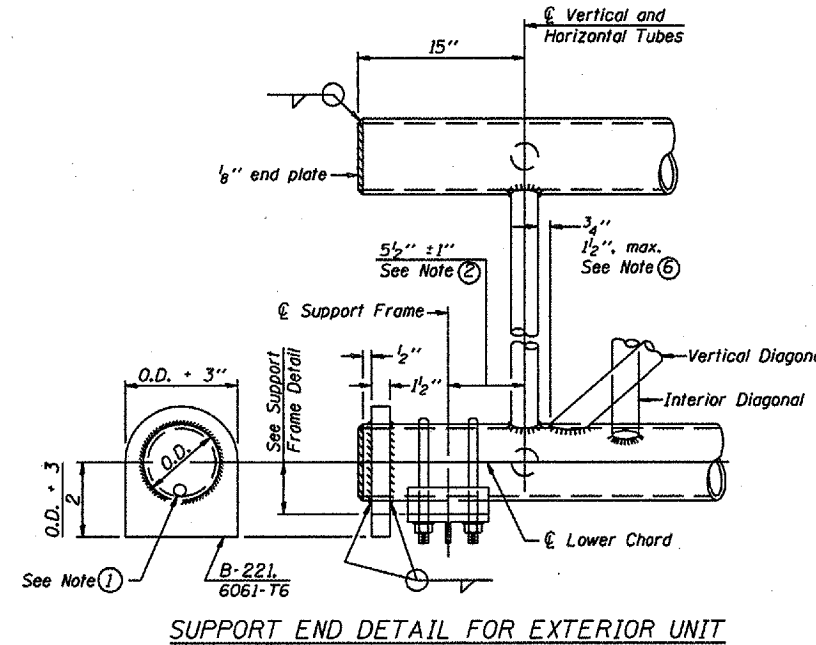
Various Routes
OVD SIN STR REP & REPL 2006-9
Various Counties
Sheet 19 of 89
Contract Number 44904



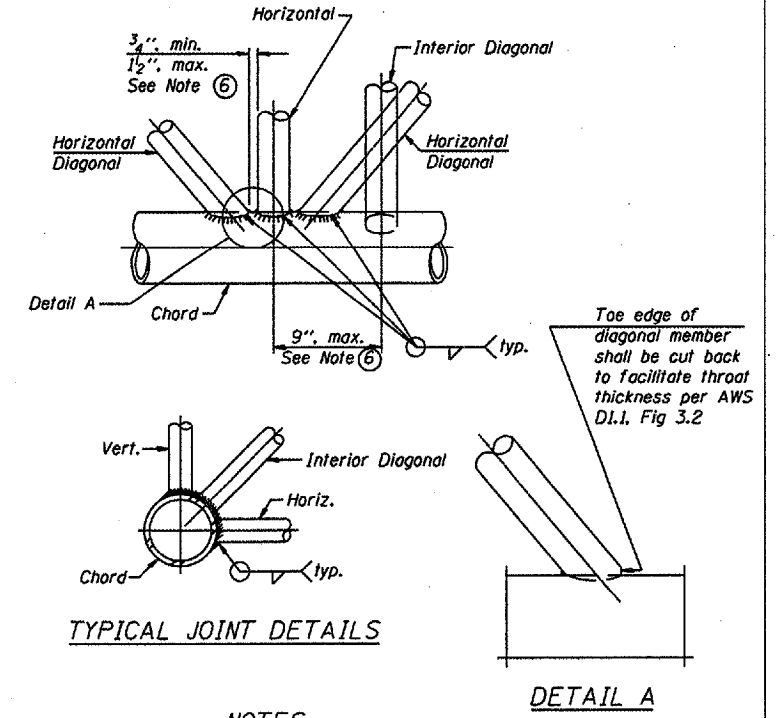
ELEVATION
TYPICAL INTERIOR UNIT
Even number of panels/interior unit required.



ELEVATION
TYPICAL EXTERIOR UNIT
Even or odd number of panels/exterior units allowed.



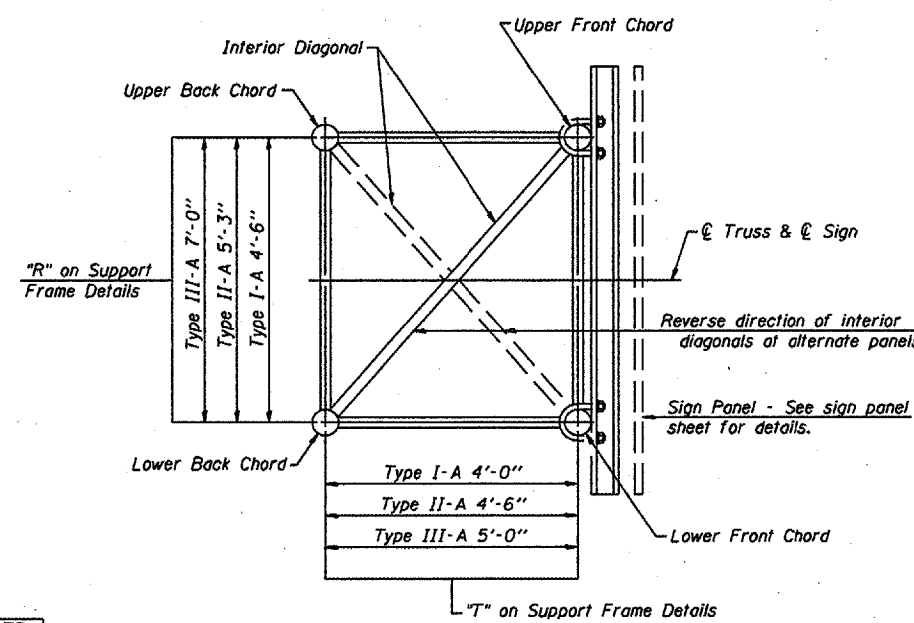
SUPPORT END DETAIL FOR EXTERIOR UNIT



TYPICAL JOINT DETAILS

DETAIL A

- NOTES
- Contractor may alternatively use standard aluminum drive-fit cap to close end. $\frac{1}{2}$ " ϕ drain hole in end plate/drive-fit cap. (Typ. at ends of all chords)
 - $5\frac{1}{2}$ " end dimension may vary by ± 1 " to provide uniform panel spacing (P).
 - Panel spacing (P) shall be uniform for entire truss and between 4'-0" and 5'-0" for Type I-A or 4'-0" and 5'-6" for Types II-A and III-A.
 - Vertical Diagonals in front and back face shall alternate.
 - Hidden lines show wind bracing alternates direction between planes of top and bottom chords.
 - All diagonals shall be detailed for minimum offset from the panel point based on the following: Offset shall be such as to provide a $\frac{3}{4}$ " minimum to $1\frac{1}{2}$ " maximum clearance between any diagonal and any horizontal or vertical member, and to provide clearance for U-bolt connections of signs or walkway brackets.



SECTION A-A

OVERHEAD SIGN STRUCTURES
ALUMINUM TRUSS DETAILS
FOR TRUSS TYPES I-A, II-A and III-A

District 2
Overhead Sign
Structure Replacement

| | |
|----------|--|
| DESIGNED | |
| CHECKED | |
| DRAWN | |
| CHECKED | |

| | |
|----------|------------------------------------|
| EXAMINED | 20 |
| PASSED | ENGINEER OF BRIDGE DESIGN |
| | ENGINEER OF BRIDGES AND STRUCTURES |

| NUMBER | REVISION | DATE |
|--------|----------|------|
| | | |
| | | |
| | | |
| | | |