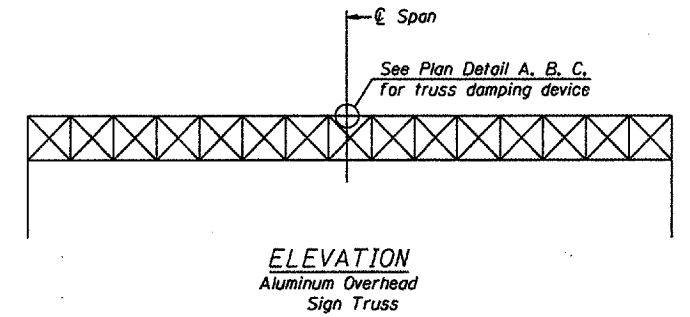
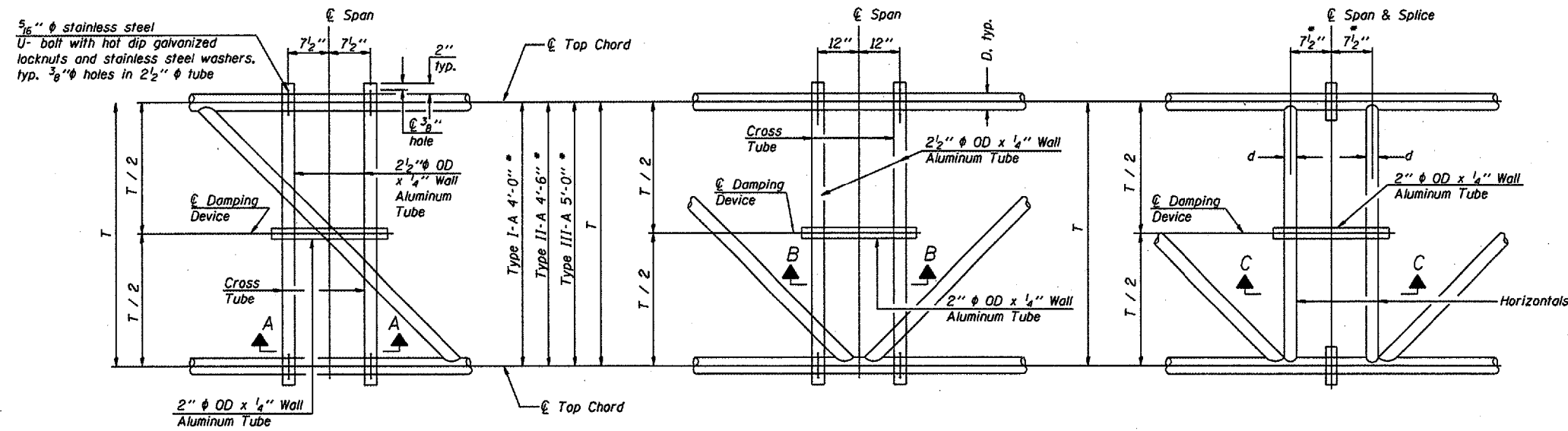


STATE OF ILLINOIS  
DEPARTMENT OF TRANSPORTATION

\* Center of horizontal to center of splice dimension may vary. Verify before drilling holes in mounting tube.

Various Routes  
OVD SIN STR REP & REPL 2006-9  
Various Counties  
Sheet 21 of 89  
Contract Number 44904



ELEVATION  
Aluminum Overhead  
Sign Truss

NOTES

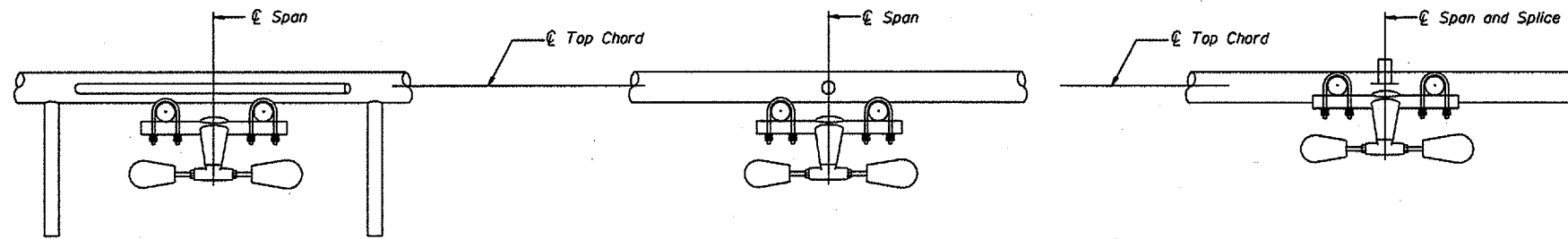
Damper: One damper per truss.  
(31 lbs. Stockbridge-Type Aluminum)  
Cost included in Overhead Sign Structure...

Materials: Aluminum tubes shall be ASTM B221 alloy 6061 temper T6. Cost included in Overhead Sign Structure...

PLAN DETAIL "A"  
Span between Panel Points

PLAN DETAIL "B"  
Span at Panel Point

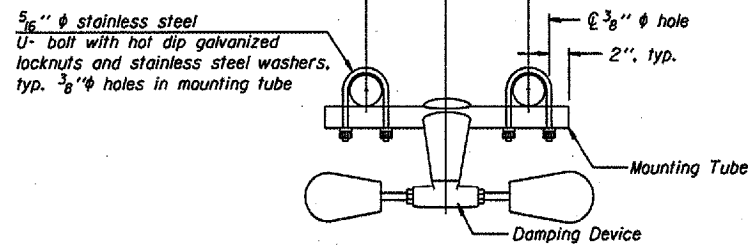
PLAN DETAIL "C"  
Span at Chord Splice



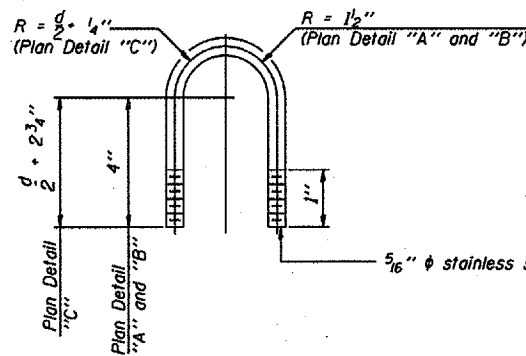
SECTION A-A

SECTION B-B

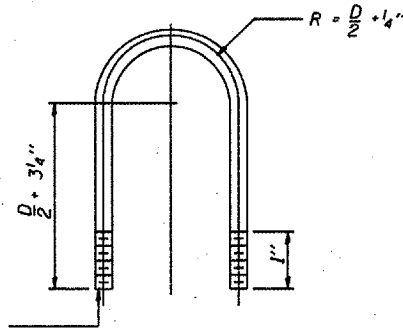
SECTION C-C



TRUSS DAMPING  
DEVICE CONNECTION DETAIL  
(Typical)



DAMPING DEVICE MOUNTING  
TUBE U-BOLT DETAIL  
(Typical)



TOP CHORD TO CROSS TUBE  
U-BOLT DETAIL  
(Typical - Detail "A" and "B")

This detail applies to the following overhead sign structures:  
1. 2S0371080L011.4  
2. 2S0501080R073.4

OVERHEAD SIGN STRUCTURE  
DAMPING DEVICE

District 2  
Overhead Sign  
Structure Replacement

DESIGNED	20
CHECKED	EXAMINED
DRAWN	PASSED
CHECKED	ENGINEER OF BRIDGES AND STRUCTURES

OS-A-D

1-7-05