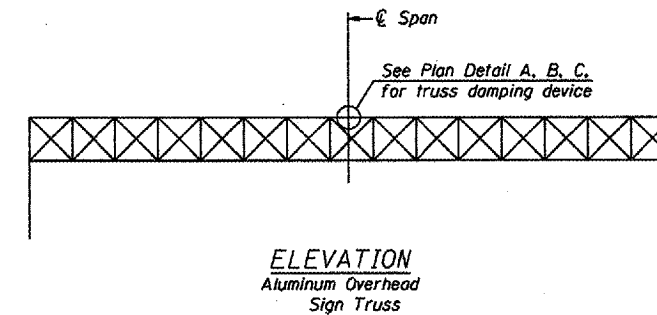
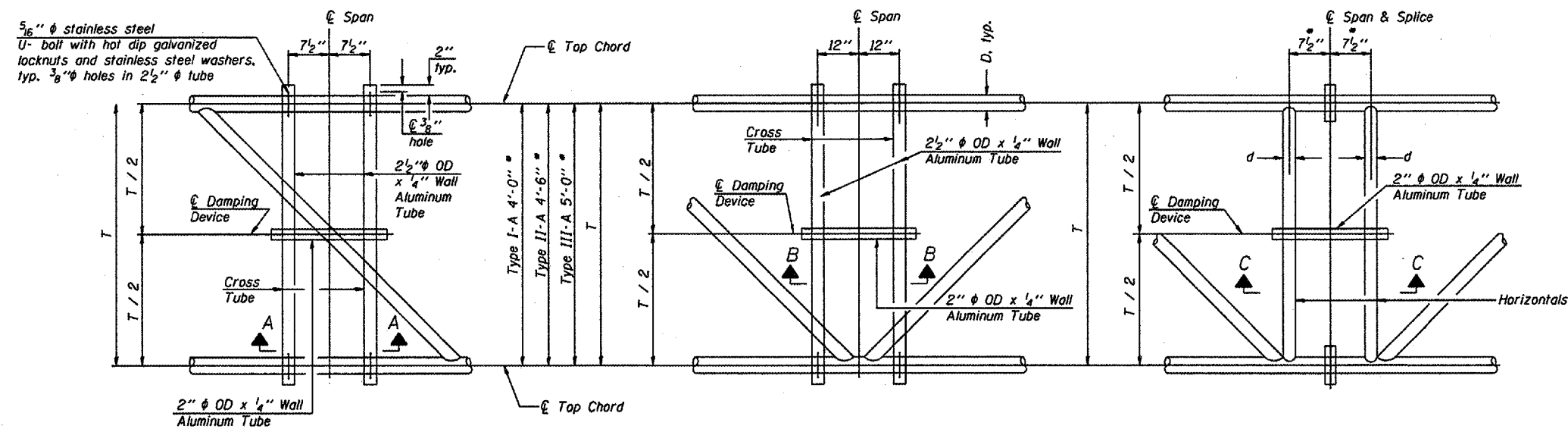


* Center of horizontal to center of splice dimension may vary. Verify before drilling holes in mounting tube.

Various Routes
OVD SIN STR REP & REPL 2006-9
Various Counties
Sheet 36 of 89
Contract Number 44904



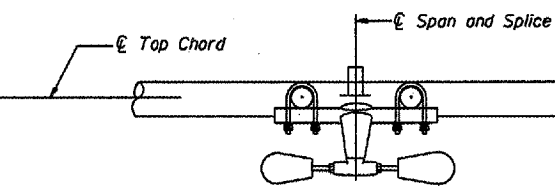
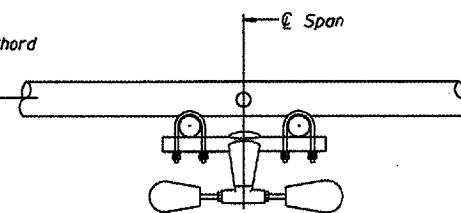
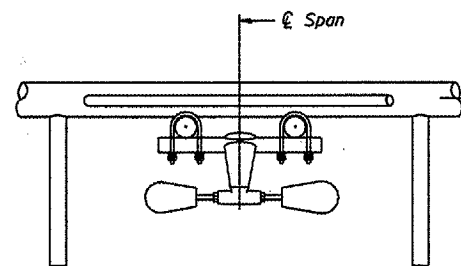
NOTES
Damper: One damper per truss.
(31 lbs. Stockbridge-Type Aluminum)
Cost included in Overhead Sign Structure...

Materials: Aluminum tubes shall be ASTM B221 alloy 6061 temper T6. Cost included in Overhead Sign Structure...

PLAN DETAIL "A"
Span between Panel Points

PLAN DETAIL "B"
Span at Panel Point

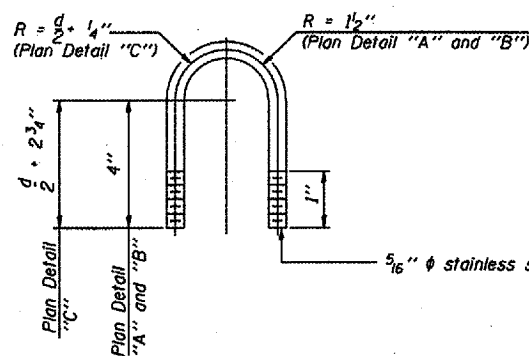
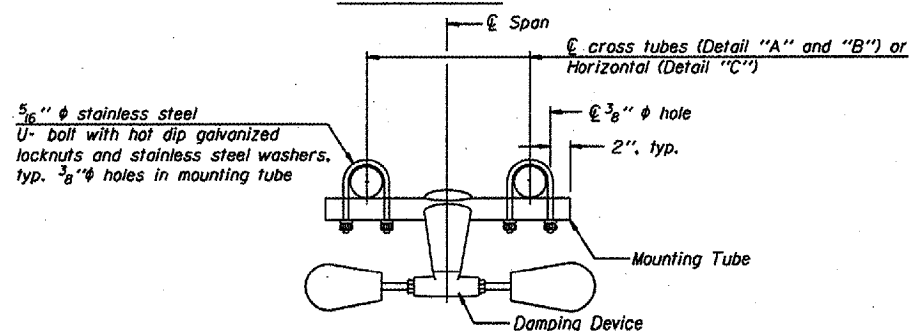
PLAN DETAIL "C"
Span at Chord Splice



SECTION A-A

SECTION B-B

SECTION C-C



DAMPING DEVICE MOUNTING TUBE U-BOLT DETAIL
(Typical)

TOP CHORD TO CROSS TUBE U-BOLT DETAIL
(Typical - Detail "A" and "B")

OVERHEAD SIGN STRUCTURE
DAMPING DEVICE

District 3
Overhead Sign
Structure Replacement

| | |
|------------|---|
| DESIGNED - | 20 |
| CHECKED - | EXAMINED ENGINEER OF BRIDGE DESIGN |
| DRAWN - | PASSED ENGINEER OF BRIDGES AND STRUCTURES |
| CHECKED - | |