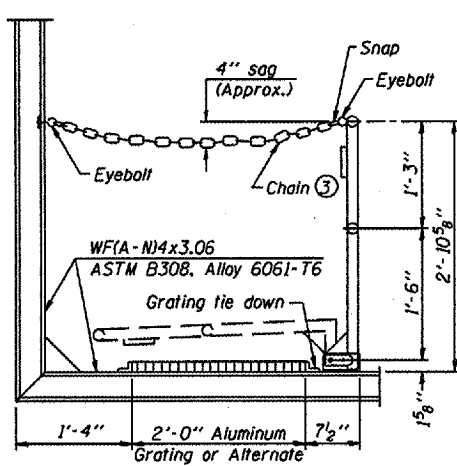
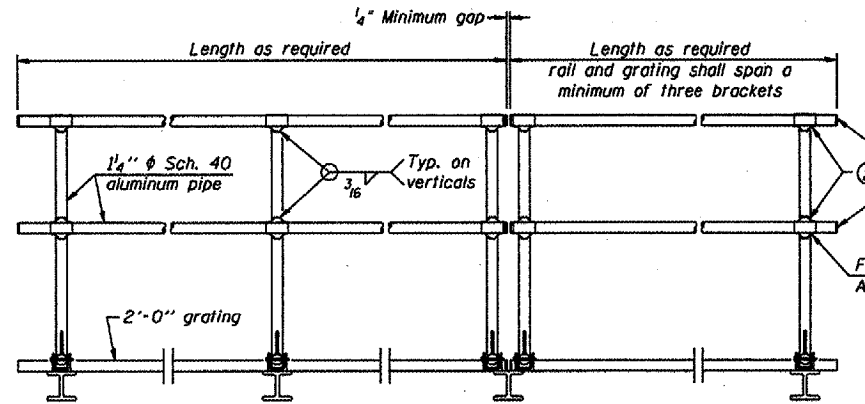


STATE OF ILLINOIS  
DEPARTMENT OF TRANSPORTATION

Various Routes  
OVD SIN STR REP & REPL 2006-9  
Various Counties  
Sheet 39 of 39  
Contract Number 44904



**SIDE ELEVATION**  
(Showing safety chain w/o sign)

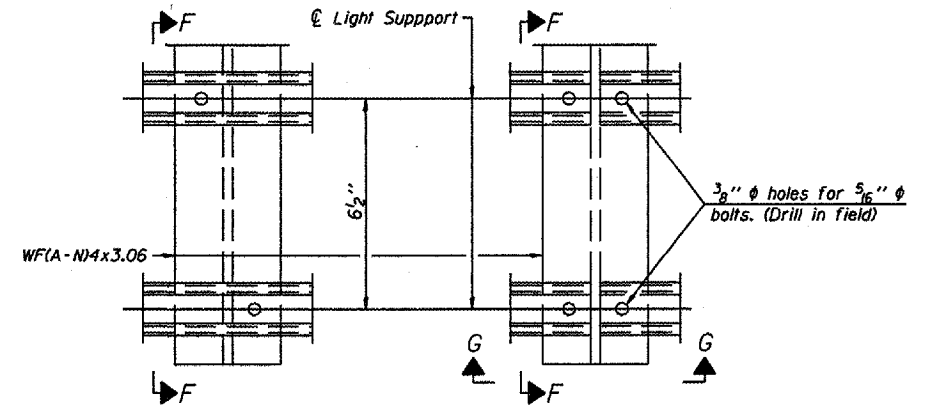


**FRONT ELEVATION**

**HANDRAIL DETAILS**

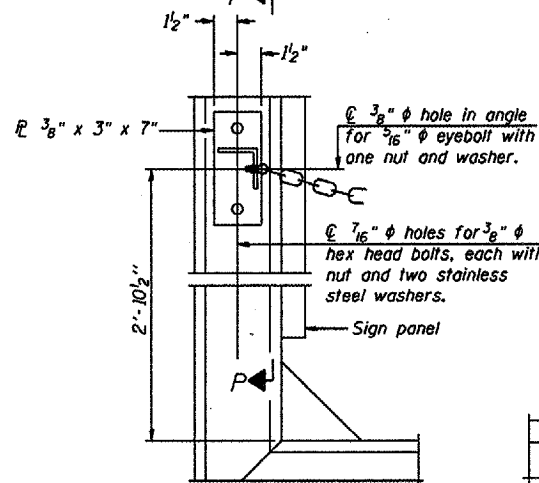
Handrail pipe shall be ASTM B241, Alloy 6063-T6 or Alloy 6061-T6.

- Install standard force-fit end caps or weld 3/8" end plates with 3/8" c.f.w. and grind smooth. (All rail ends)
- Horizontal handrail member shall be continuous thru fitting. Provide 7/16" hole in fitting for 3/8" bolt. Field drill 7/16" hole in horizontal rail member. Provide locknut and two stainless steel washers for bolt. (Use 5/16" eyebolts in 7/16" holes on top rail at ends only.)



**DETAIL F**

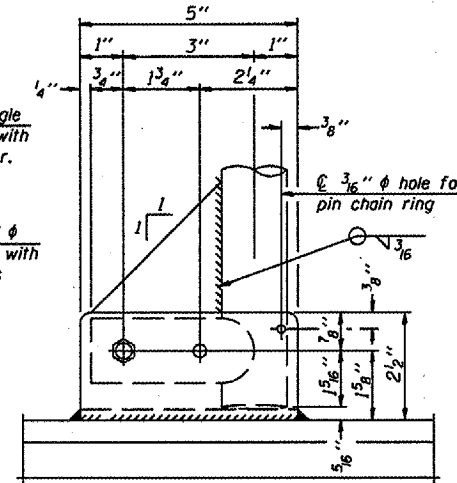
**DETAIL G**



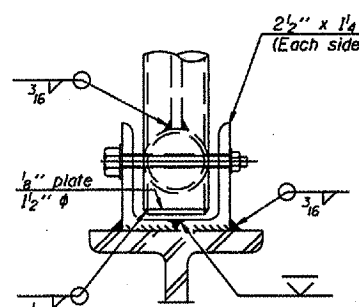
**ALTERNATE SAFETY CHAIN ATTACHMENT**

(With Sign Present)

Items not shown same as "Side Elevation" of "Handrail Details"

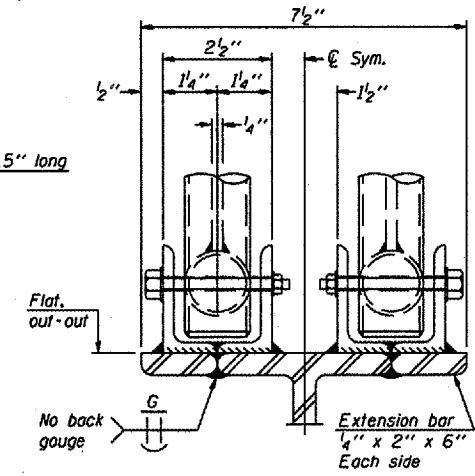


**SIDE ELEVATION**

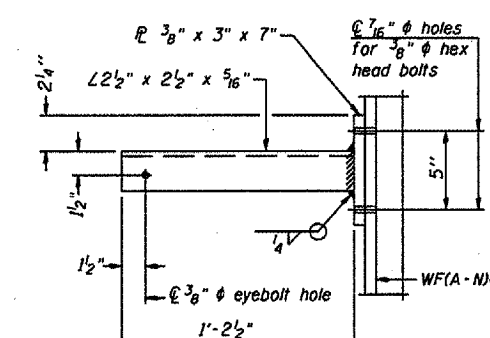


**FRONT ELEVATION**

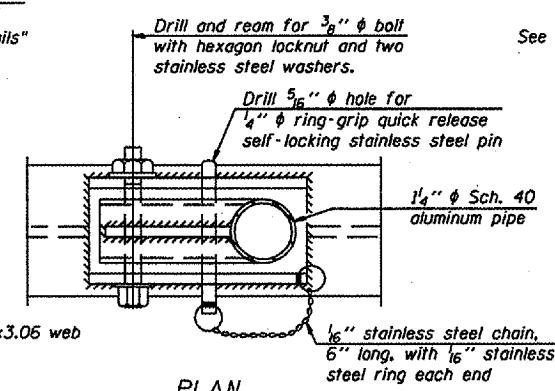
See "Elevation" at right for dimensions.



**ELEVATION AT HANDRAIL JOINT**

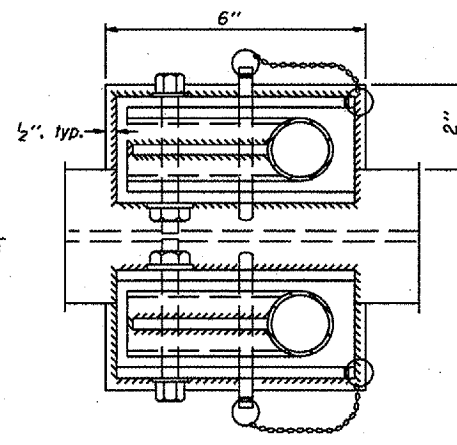


**SECTION P-P**



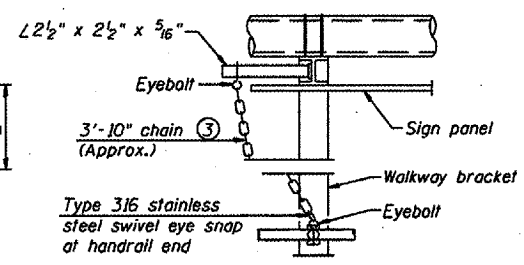
**PLAN**

**DETAIL E HANDRAIL HINGE**



**PLAN AT HANDRAIL JOINT**

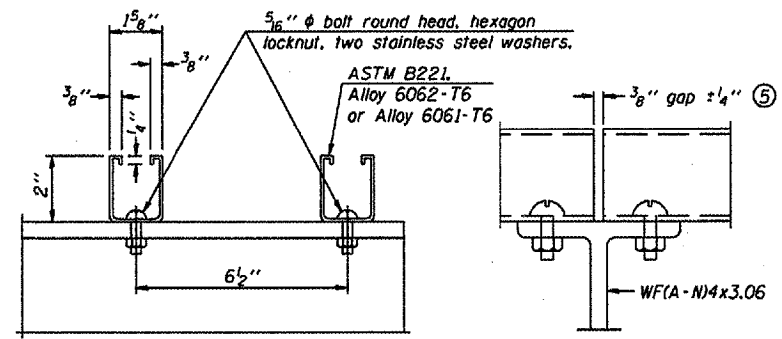
Details not shown same as "PLAN"



**ALTERNATE SAFETY CHAIN ATTACHMENT**

Details not shown similar to "Safety Chain" Details (Walkway omitted for clarity)

- 3/16" Type 304L or 316L stainless steel chain, approximately 12 links per foot.
- Extrusions may be used in lieu of the details shown, with approval of the Engineer.

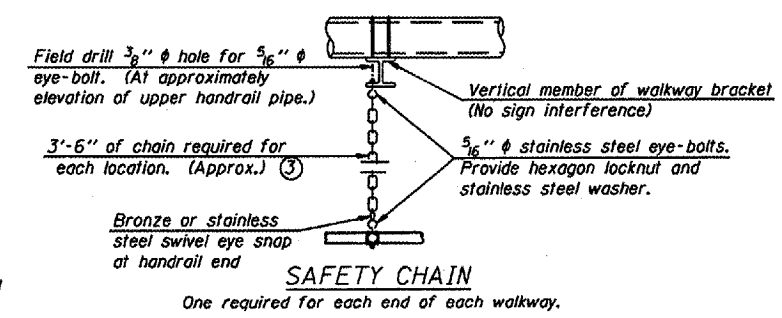


**SECTION F-F**

**SECTION G-G**

**LIGHTING FIXTURE MOUNTS (IF REQUIRED)**

- Field cut ends of light support channels shall be free of burrs or hazardous projections and coated with zinc-rich primer or equivalent.



**SAFETY CHAIN**

One required for each end of each walkway.

**OVERHEAD SIGN STRUCTURES  
ALUMINUM HANDRAIL DETAILS**

District 3  
Overhead Sign  
Structure Replacement

DESIGNED	20
CHECKED	EXAMINED
DRAWN	PASSED
CHECKED	ENGINEER OF BRIDGES AND STRUCTURES

NUMBER	REVISION	DATE