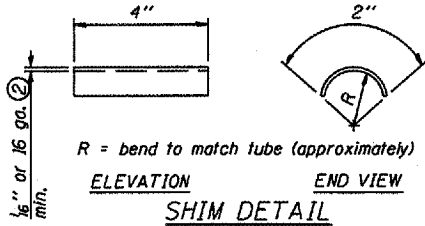
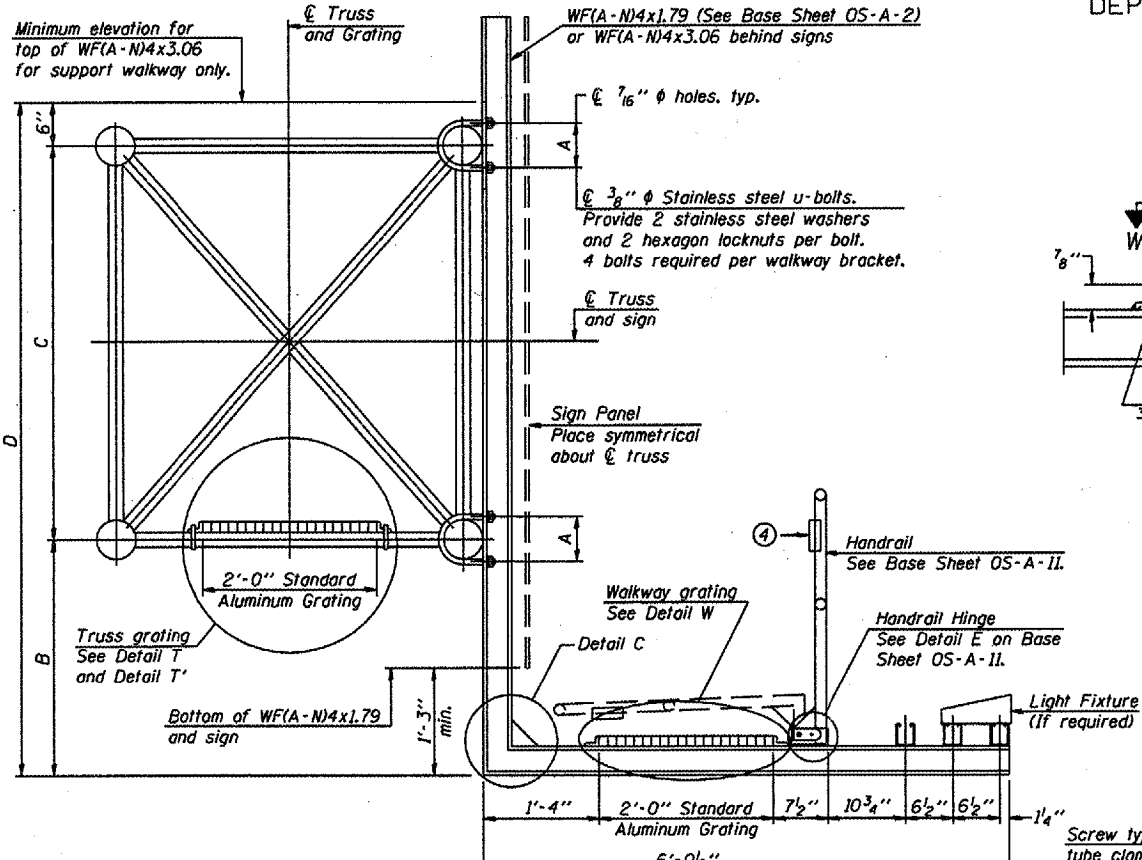
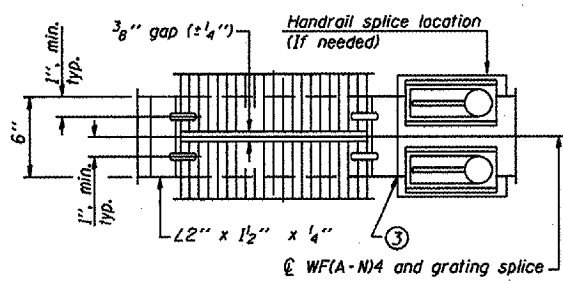


STATE OF ILLINOIS
DEPARTMENT OF TRANSPORTATION

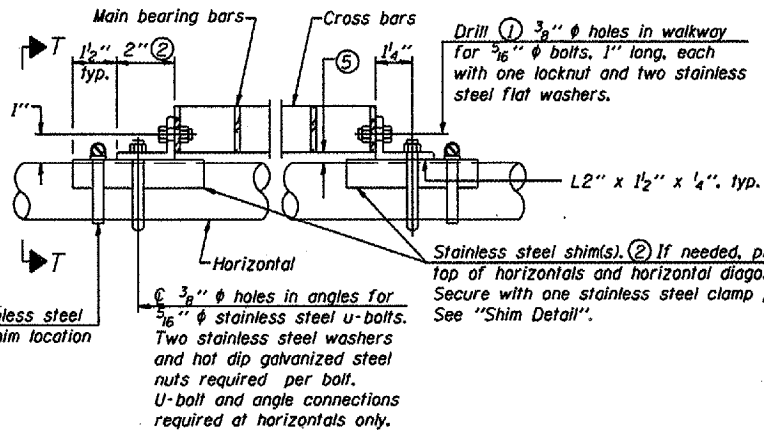
Various Routes
OVD SIN STR REP & REPL 2006-9
Various Counties
Sheet 61 of 89
Contract Number 44904



SECTION B-B



DETAIL W
(Walkway grating)



DETAIL T
(Continuous Truss grating)

SPECIFICATIONS FOR STANDARD ALUMINUM GRATING

Main Bearing Bars shall be 3/16" x 1 1/2" on 1 3/8" centers and conform to ASTM B221 Alloy 6061-T6.

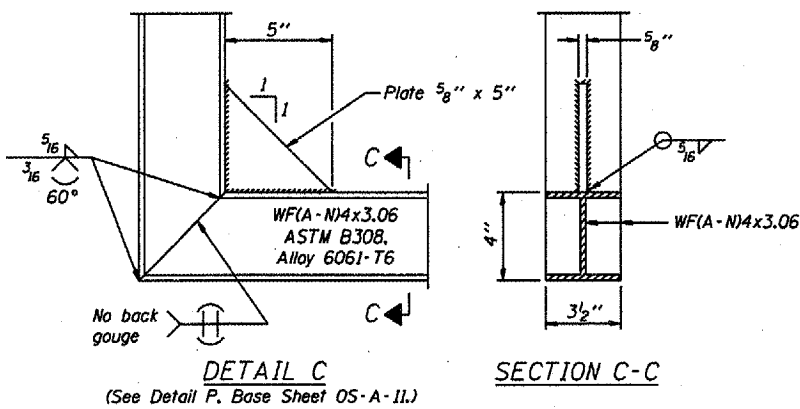
Cross bars shall be 3/16" x 1 1/2" on 4" centers and conform to ASTM B221 Alloy 6063-T5 or 6061-T6.

OR

Aluminum Grating with modified "I" sections for main bearing bars shall meet the following requirements:
Main bars shall conform to ASTM B221 Alloy 6061-T6 and have a minimum section modulus equal to 0.0705 in.³ per bar, a depth of 1 1/2", spaced on 1 3/8" centers.
Cross bars shall conform to ASTM B221 Alloy 6063-T5 or T-42 and spaced on 4" centers.

Structure Number	Station	A	B	C	D
5S0101074R178.7 *	1824+00	5 3/8"	5' - 6"	4' - 6"	14' - 3"
5S0921074R214.0 *	1913+00	5 3/8"	3' - 5"	5' - 3"	10' - 9"

* The Contractor shall field verify the dimensions for all walkway support brackets.



SECTION W-W

DESIGNED	
CHECKED	
DRAWN	
CHECKED	

EXAMINED	
PASSED	

NUMBER	REVISION	DATE

OS-A-10

1-7-05

OVERHEAD SIGN STRUCTURES
ALUMINUM WALKWAY DETAILS

District 5
Overhead-Sign Structure
Repair and Replacement