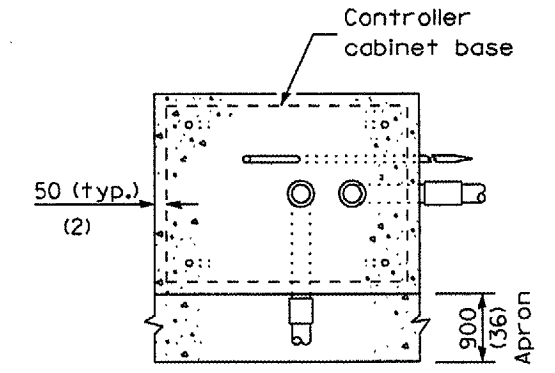
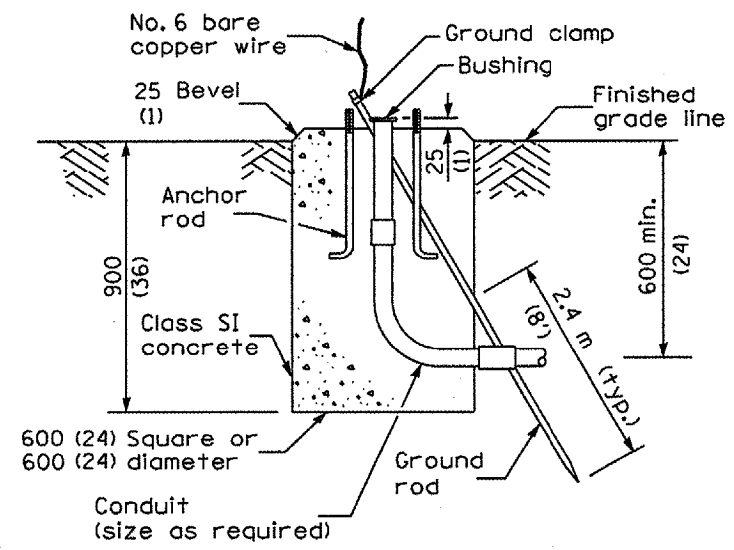


TOP VIEW

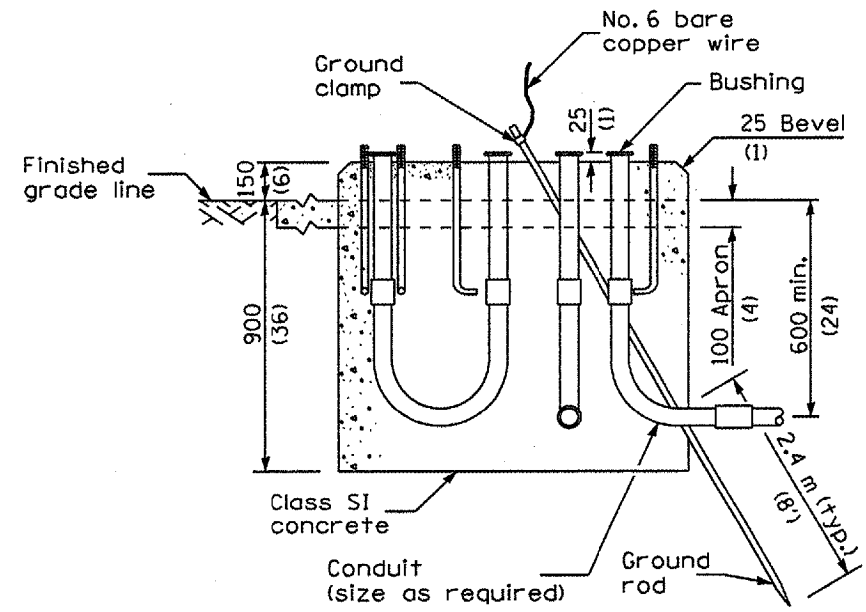


TOP VIEW

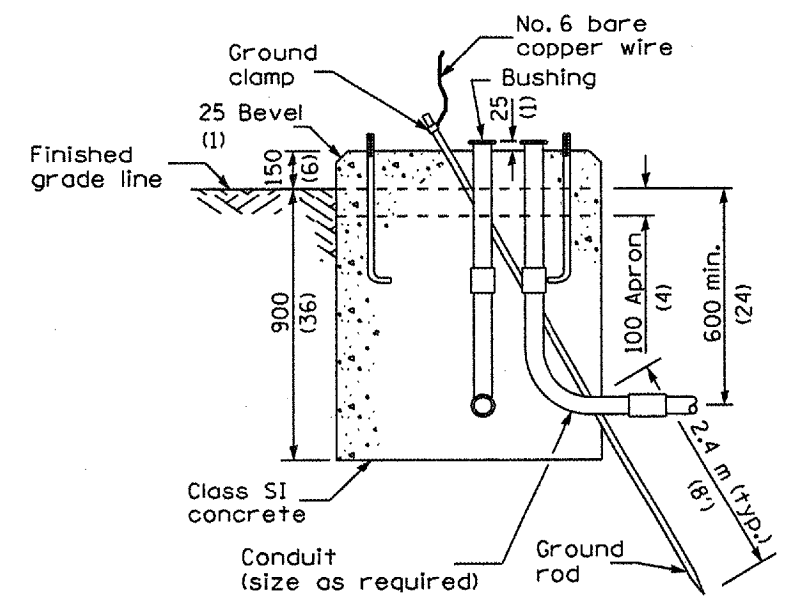
Dimensions are in millimeters unless otherwise shown.



TYPE A



TYPE C
 FOR GROUND MOUNTED
 CONTROLLER CABINET
 AND UPS BATTERY CABINET



TYPE D
 FOR GROUND MOUNTED
 CONTROLLER CABINET

| DATE | REVISIONS |
|--------|-----------------------------------|
| 4-1-06 | Added Type C foundation detail. |
| 1-1-05 | Revised Type E foundation detail. |

CONCRETE
 FOUNDATION DETAILS
 (Sheet 1 of 2)
STANDARD 878001-04