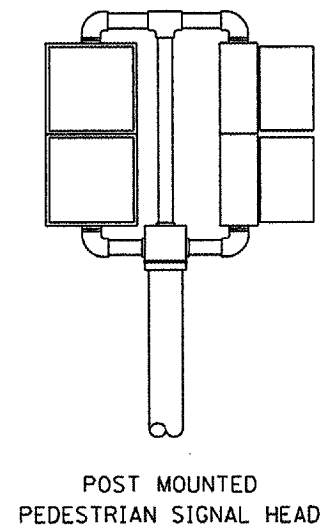
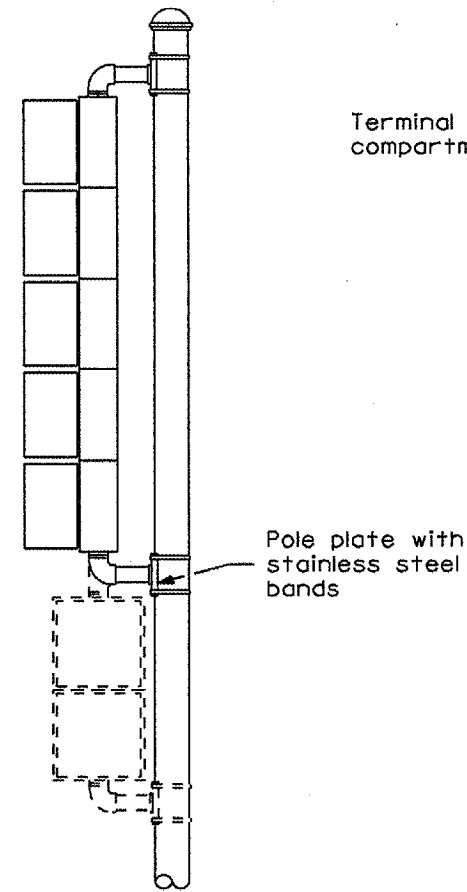


ONE WAY

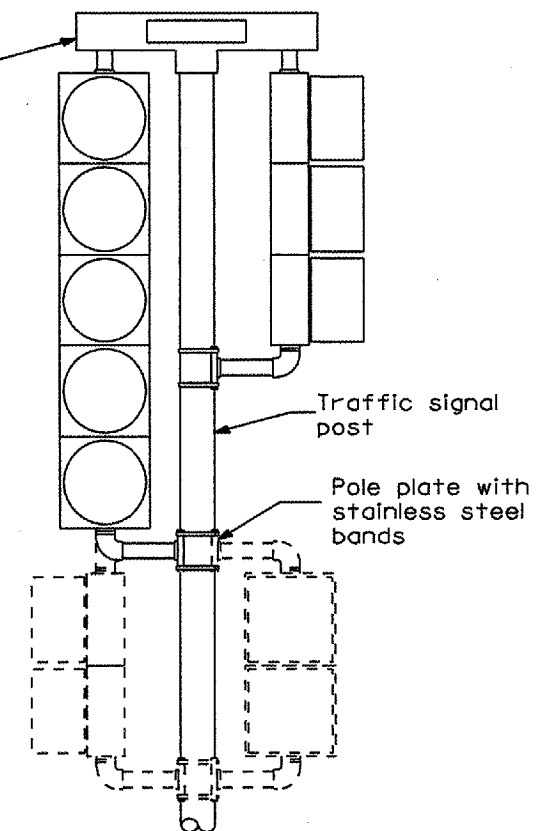


TWO WAY



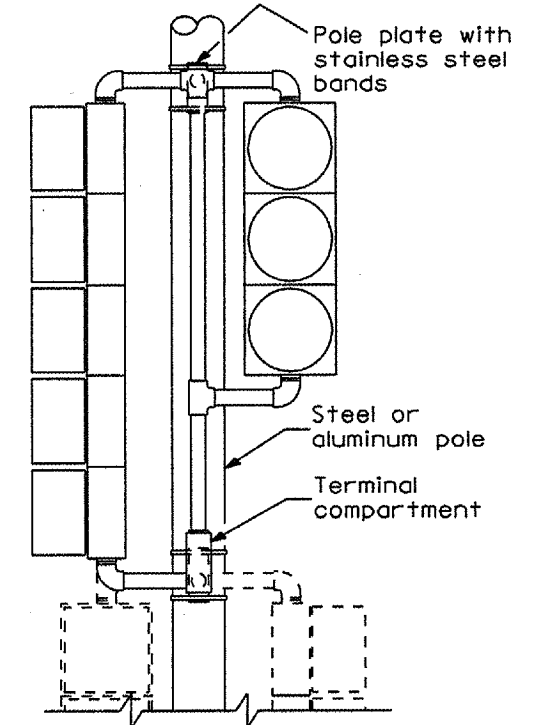
BRACKET MOUNTED TRAFFIC SIGNAL HEAD

ONE WAY



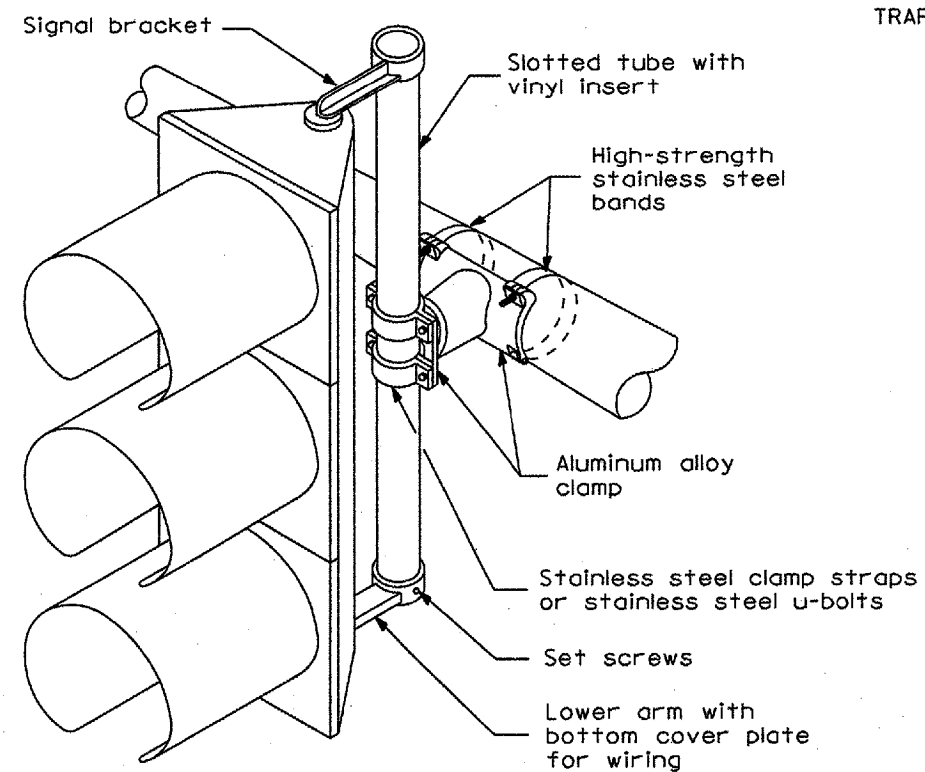
BRACKET MOUNTED TRAFFIC SIGNAL HEAD

TWO WAY



BRACKET MOUNTED TRAFFIC SIGNAL HEAD

TWO WAY



STEEL MAST ARM MOUNTING

All dimensions are in millimeters (inches) unless otherwise shown.

TRAFFIC SIGNAL MOUNTING DETAILS

**STANDARD 880006**