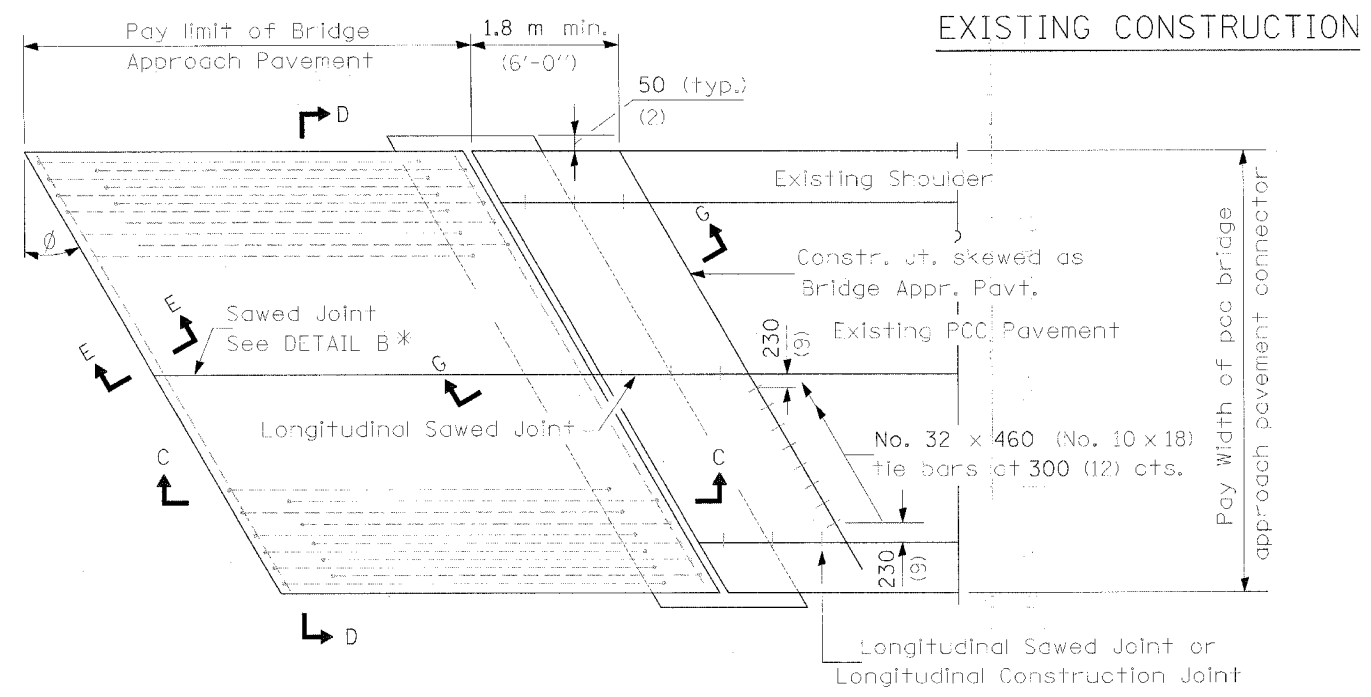
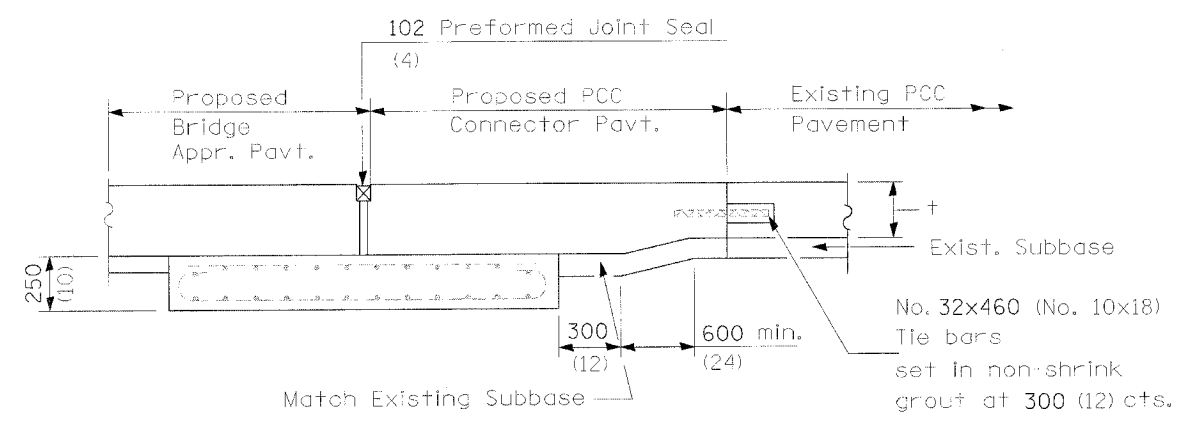


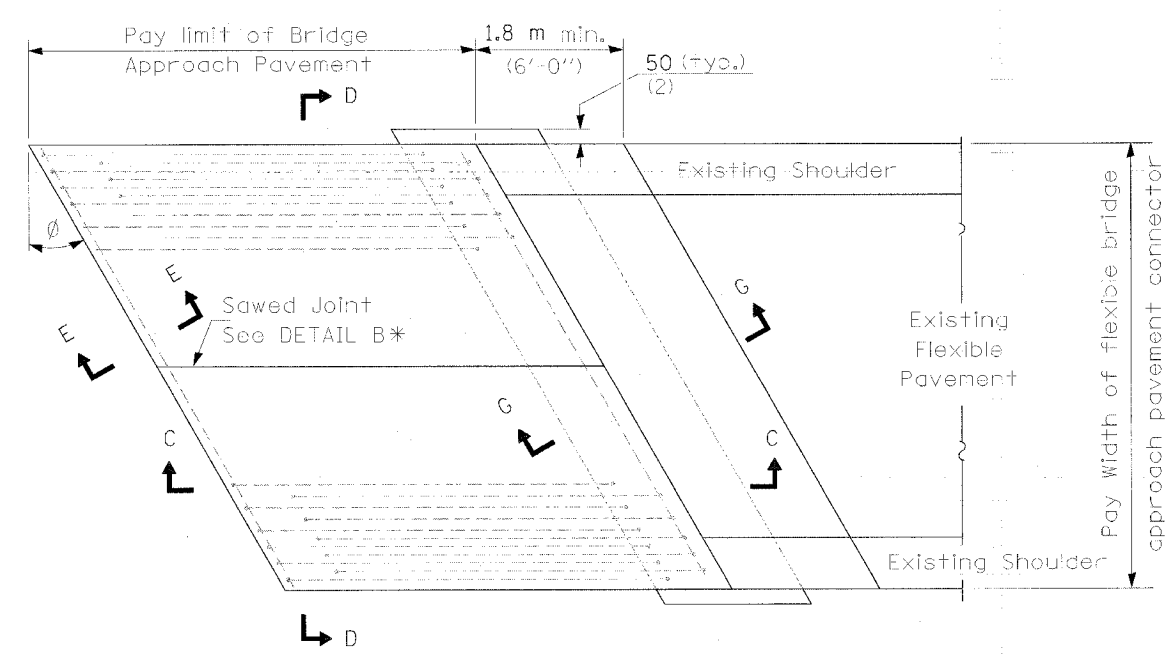
F.A.S. RTE.	SECTION	COUNTY	TOTAL SHEETS	SHEET NO.
2402	(113B-21)	PEORIA	55	24
STA.	TO STA.			
FED. ROAD DIST. NO.	ILLINOIS	FED. AID PROJECT		



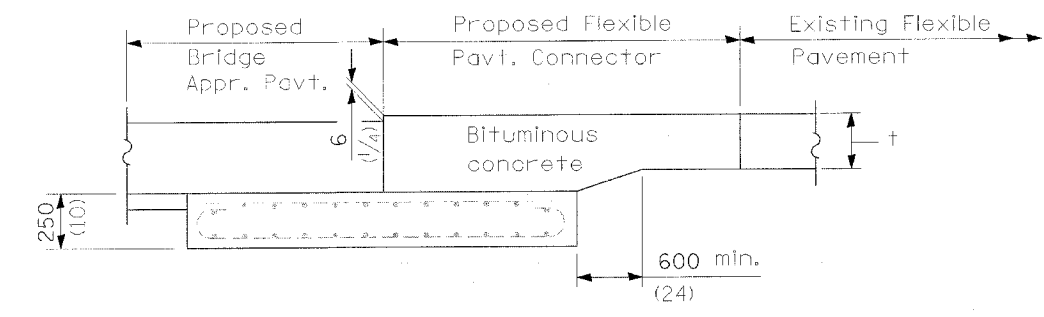
BRIDGE APPROACH PAVEMENT CONNECTOR (PCC)



SECTION G-G - RIGID PAVEMENT



BRIDGE APPROACH PAVEMENT CONNECTOR (FLEXIBLE)



SECTION G-G - FLEXIBLE PAVEMENT

All dimensions are in millimeters (Inches) unless otherwise shown.

BRIDGE APPROACH PAVEMENT (SPECIAL)
(Sheet 2 of 4)