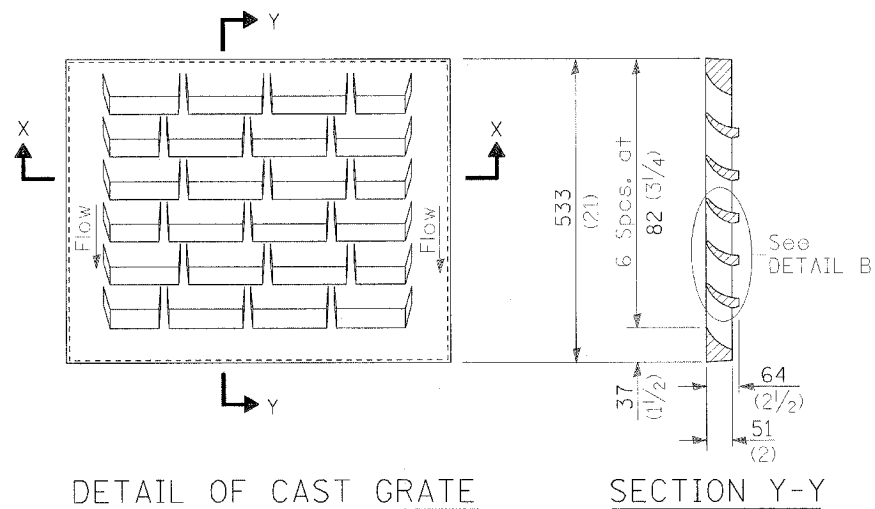


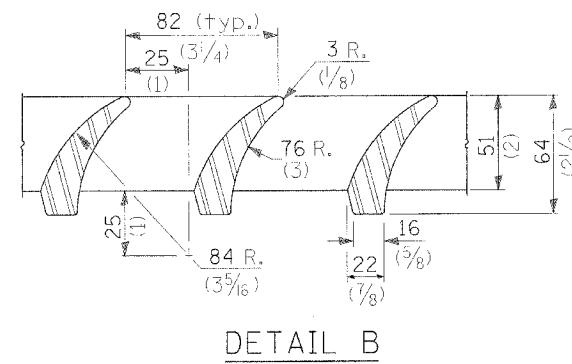
F.A.S. RTE.	SECTION	COUNTY	TOTAL SHEETS	SHEET NO.
2402	(113B-2)I	PEORIA	55	28
STA.		TO STA.		
FED. ROAD DIST. NO.		ILLINOIS FED. AID PROJECT		



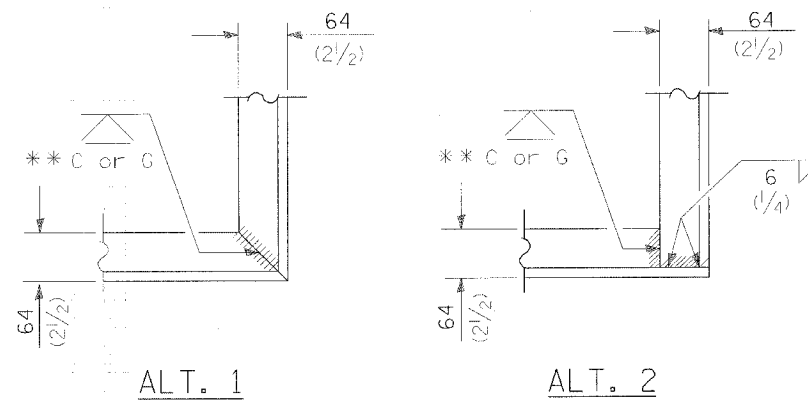
DETAIL OF CAST GRATE

Type E requires 2 grates  
Type F requires 3 grates

SECTION Y-Y

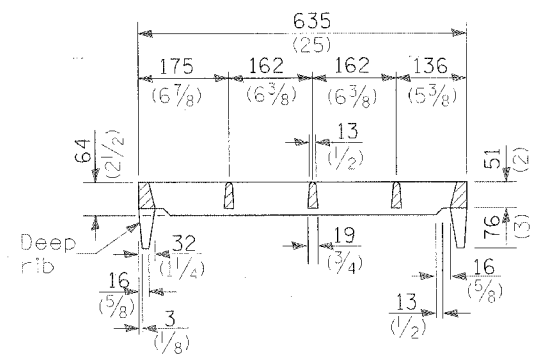


DETAIL B



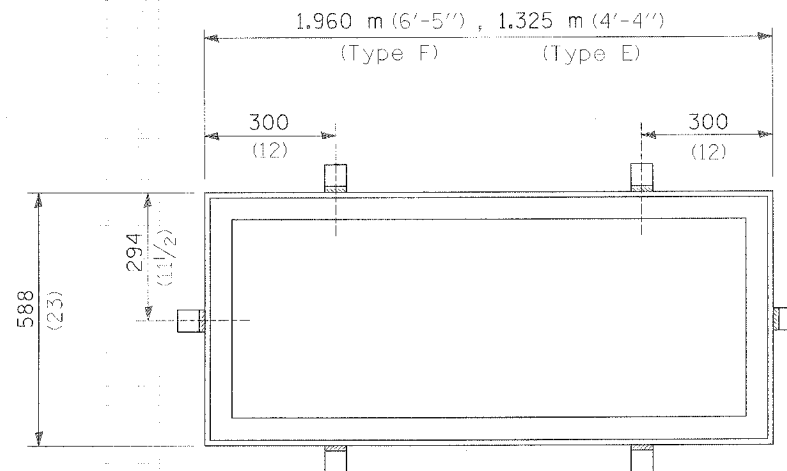
TYPICAL CORNER of STEEL GRATING FRAME

\*\* Cut or Grind flush



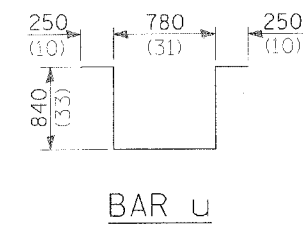
SECTION X-X

(Deep rib shall be omitted for end(s) resting on frame perimeter)

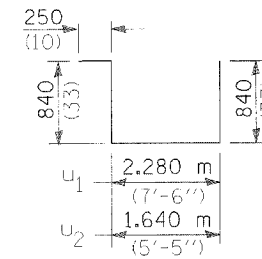


DETAIL OF STEEL FRAME

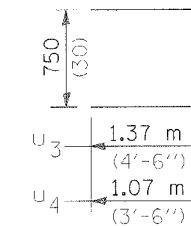
Cast frame to have same basic dimensions.



BAR U



BARS  $U_1, U_2$



BARS  $U_3, U_4$

INLET BOX

REQUIRED MATERIAL

TYPE F			
Bar	Qty.	Size	Length
u	8	No. 15 (No. 4)	2.96 m (9'-9")
$u_1$	3	No. 15 (No. 4)	4.21 m (13'-10")
$u_3$	6	No. 15 (No. 4)	3.49 m (11'-6")
Concrete	$m^3$ (cu. yds.)		1.3 (1.7)
Reinf. bars	kg (lbs.)		89.9 (126)
Grating	$m^2$ (sq. ft.)		1.02 (10.9)
TYPE E			
Bar	Qty.	Size	Length
u	6	No. 15 (No. 4)	2.96 m (9'-9")
$u_2$	3	No. 15 (No. 4)	3.57 m (11'-9")
$u_4$	6	No. 15 (No. 4)	2.89 m (9'-6")
Concrete	$m^3$ (cu. yds.)		1.0 (1.3)
Reinf. bars	kg (lbs.)		71.9 (101)
Grating	$m^2$ (sq. ft.)		0.68 (7.3)

All dimensions are in millimeters (inches) unless otherwise shown.

SHOULDER INLET WITH CURB (4' SHLD)