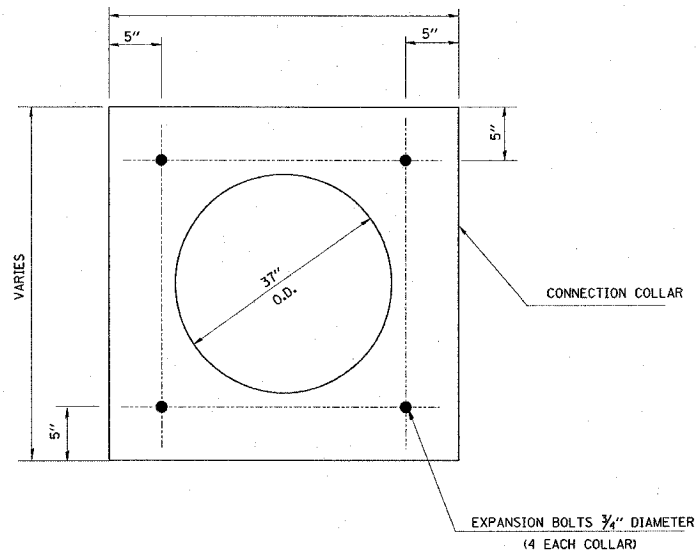
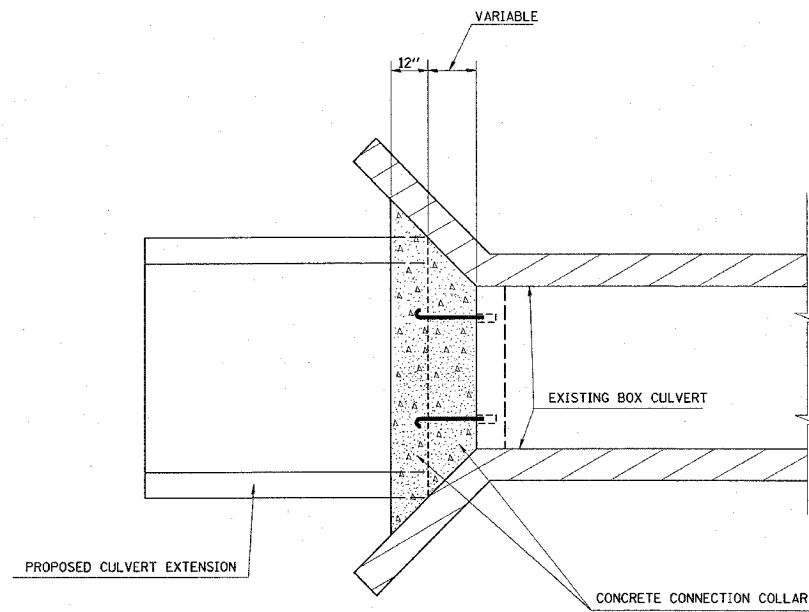


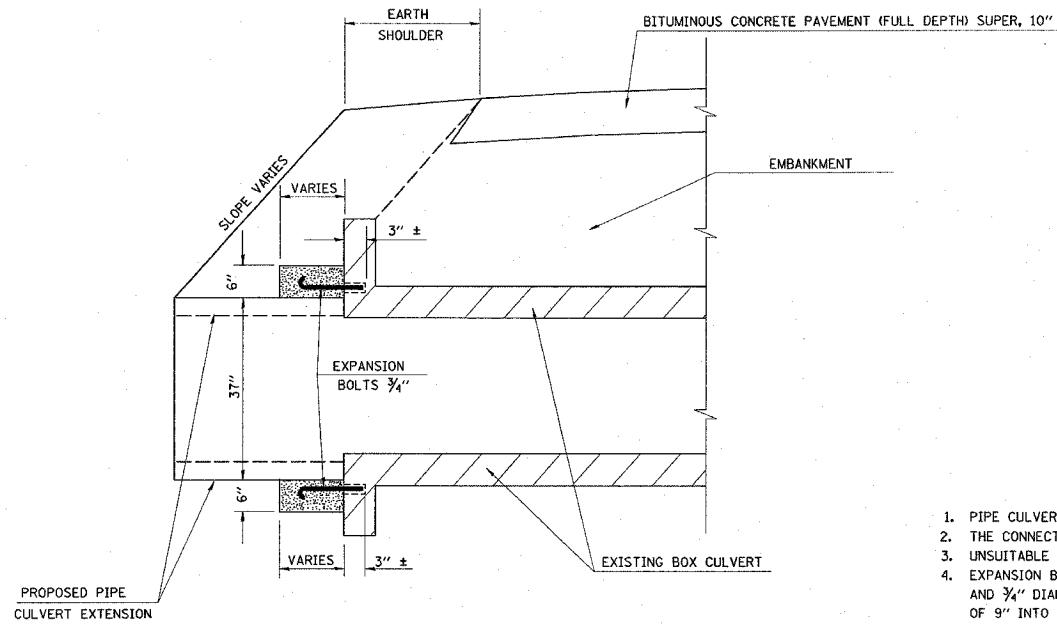
PLAN	DATE
BY	
REVISIONS	
CHECKED	
NOTED	
DATE	
NO.	



EXPANSION BOLT LAYOUT
NOT TO SCALE

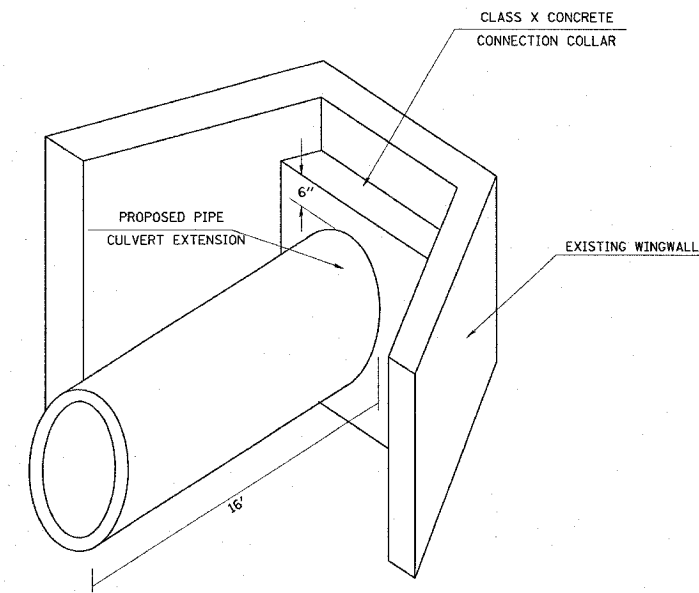


PLAN VIEW
NOT TO SCALE



EXPANSION BOLT AND CONNECTION COLLAR DETAILS
NOT TO SCALE

1. PIPE CULVERT EXTENSION TO BE CENTERED ON BOX CULVERT OPENING
2. THE CONNECTION COLLAR SHALL BE CLASS X CONCRETE THROUGHOUT
3. UNSUITABLE MATERIAL SHALL BE DISPOSED OF AS PER THE STANDARD SPECIFICATIONS
4. EXPANSION BOLTS SHALL CONSIST OF SELF-DRILLING EXPANSION SHIELDS AND 3/4" DIAMETER HOOKED BOLTS. HOOKED BOLTS SHALL EXTEND A MINIMUM OF 9" INTO NEW CONCRETE.



PIPE CULVERT EXTENSION SKETCH

SEE STANDARD 542601 FOR REINFORCED PIPE ELBOW DETAILS

REVISIONS	
NAME	DATE

ILLINOIS DEPARTMENT OF TRANSPORTATION
**DETAILS OF BOX CULVERT
 EXTENSIONS (WITH PIPE CULVERTS)**
 STA. 23+53.39 (RUNAROUND)
 FAP ROUTE 314
 SECTION 110-1VBR-1
 MADISON COUNTY

DRAWN BY:

PLOT DATE: 3/28/2006