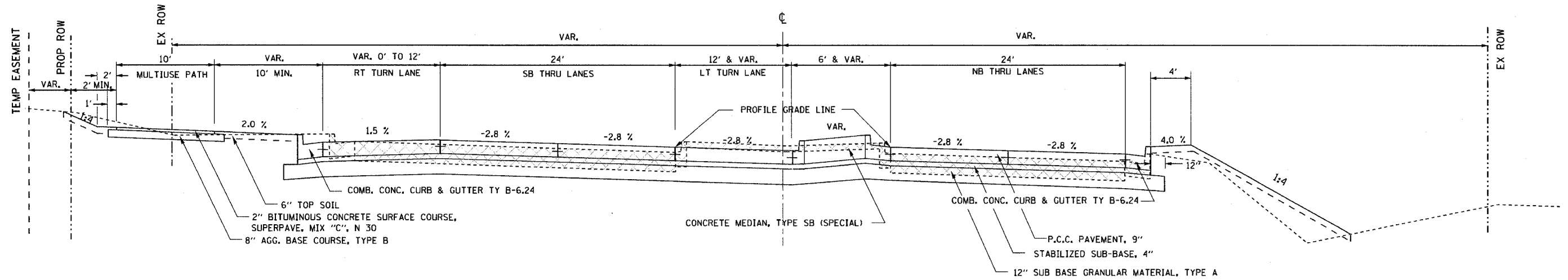


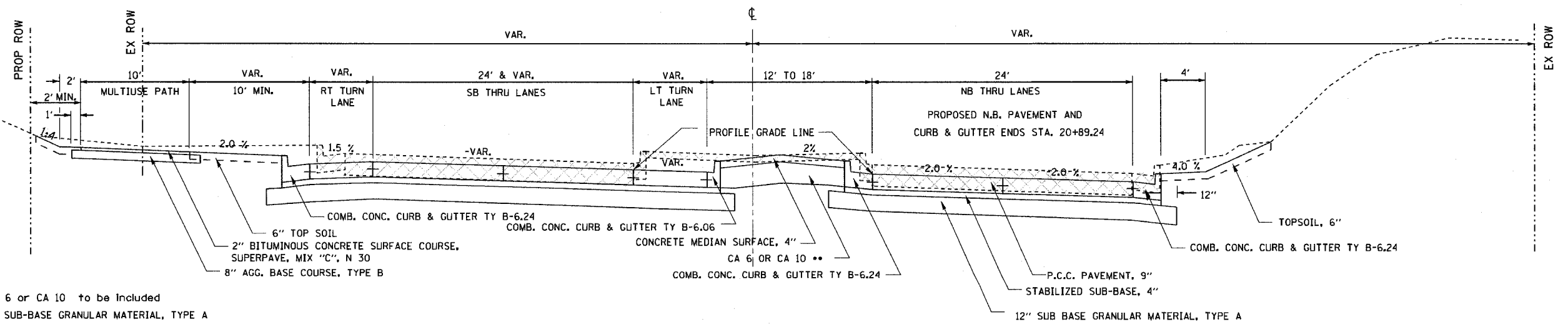
F.A.P. RTE.	SECTION	COUNTY	TOTAL SHEETS	SHEET NO.
303	03-00520-00-WR	WINNEBAGO	254	21
STA.		TO STA.		
FED. ROAD DIST. NO.	ILLINOIS	FED. AID PROJECT		

TYPICAL SECTIONS

MULFORD ROAD
STA. 16+98.86 TO 20+18.30



MULFORD ROAD
STA. 20+18.30 TO 22+23.00



•• The cost of CA 6 or CA 10 to be included
in the cost of SUB-BASE GRANULAR MATERIAL, TYPE A