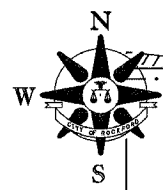
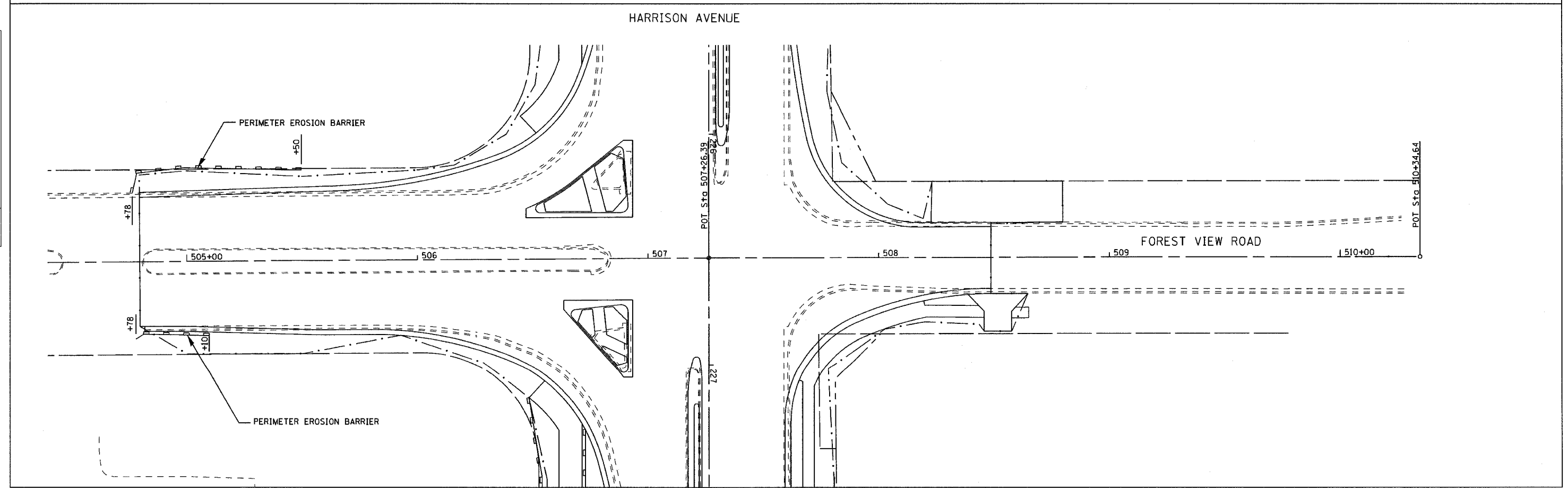
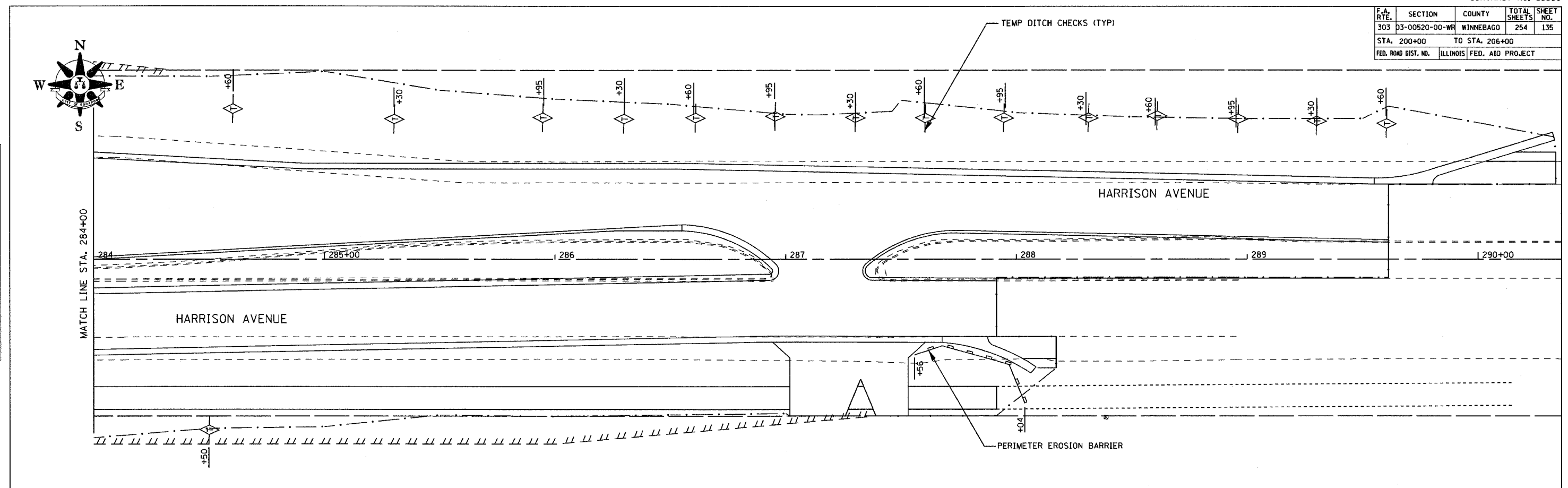


F.A. RTE.	SECTION	COUNTY	TOTAL SHEETS	SHEET NO.
303	D3-00520-00-WR	WINNEBAGO	254	135
STA. 200+00		TO STA. 206+00		
FED. ROAD DIST. NO.	ILLINOIS	FED. AID PROJECT		



DATE	BY
DATE	BY
DATE	BY
DATE	BY

DATE	BY
DATE	BY
DATE	BY
DATE	BY



EROSION CONTROL PLAN HARRISON AVENUE /FOREST VIEW ROAD