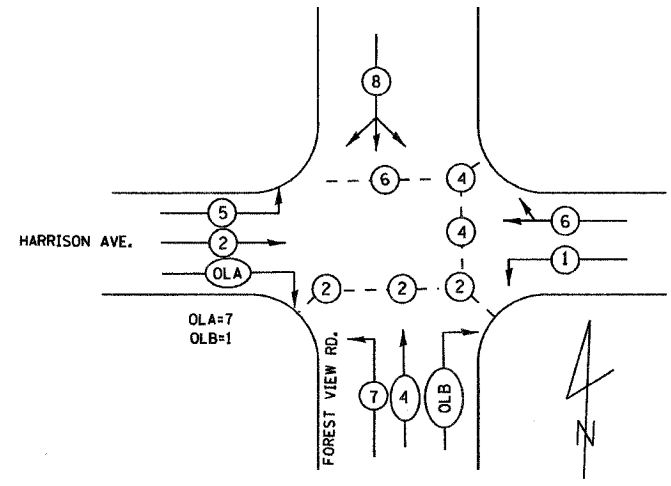


SECTION	COUNTY	TOTAL SHEETS	SHEET NO.
303 03-00520-00-WR	WINNEBAGO	254	180
STA. TO STA.			
FED. ROAD DIST. NO.		ILLINOIS FED. AID PROJECT	

WIRING DIAGRAM

PHASE DESIGNATION DIAGRAM



- LEGEND**
- STEEL COMBINATION MAST ARM ASSEMBLY AND POLE
 - PEDESTRIAN PUSH BUTTON
 - PEDESTRIAN SIGNAL HEAD
 - VIDEO DETECTION CAMERA
 - TRAFFIC SIGNAL HEAD
 - EMERGENCY VEHICLE LIGHT DETECTOR

PROPOSED EMERGENCY VEHICLE PREEMPTORS			
EMERGENCY VEHICLE PREEMPTOR	1	2	3
MOVEMENT			

1=2+5
2=1+6
3=4+8

- LEGEND**
- NO. OF CONDUCTORS IN SIGNAL CABLE
 - TRAFFIC SIGNAL HEAD W/BACKPLATE
 - LIGHT DETECTOR AND CONFIRMATION BEACON
 - PEDESTRIAN PUSH BUTTON
 - PEDESTRIAN SIGNAL HEAD
 - LUMINAIRE, SODIUM VAPOR 250 W, HPS

