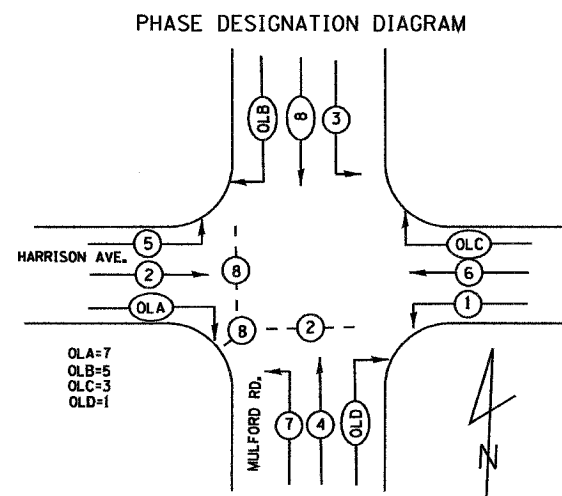


ROUTE	SECTION	COUNTY	TOTAL SHEETS	SHEET NO.
303	03-00520-00-WR	WINNEBAGO	254	189
STA. TO STA.		ILLINOIS FED. AID PROJECT		



- ### LEGEND
- ③ NO. OF CONDUCTORS IN SIGNAL CABLE
 - | |
|---|
| R |
| Y |
| G |

 TRAFFIC SIGNAL HEAD W/BACKPLATE
 - EMERGENCY PREEMPT LIGHT DETECTOR AND CONFIRMATION BEACON
 - PEDESTRIAN PUSH BUTTON
 - PEDESTRIAN SIGNAL HEAD
 - LUMINAIRE, SODIUM VAPOR 250 W, HPS

