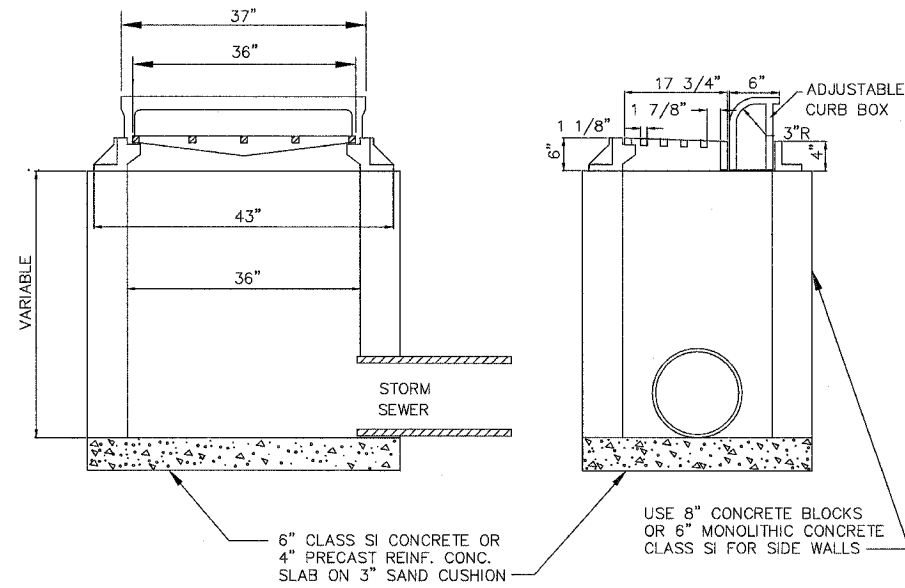


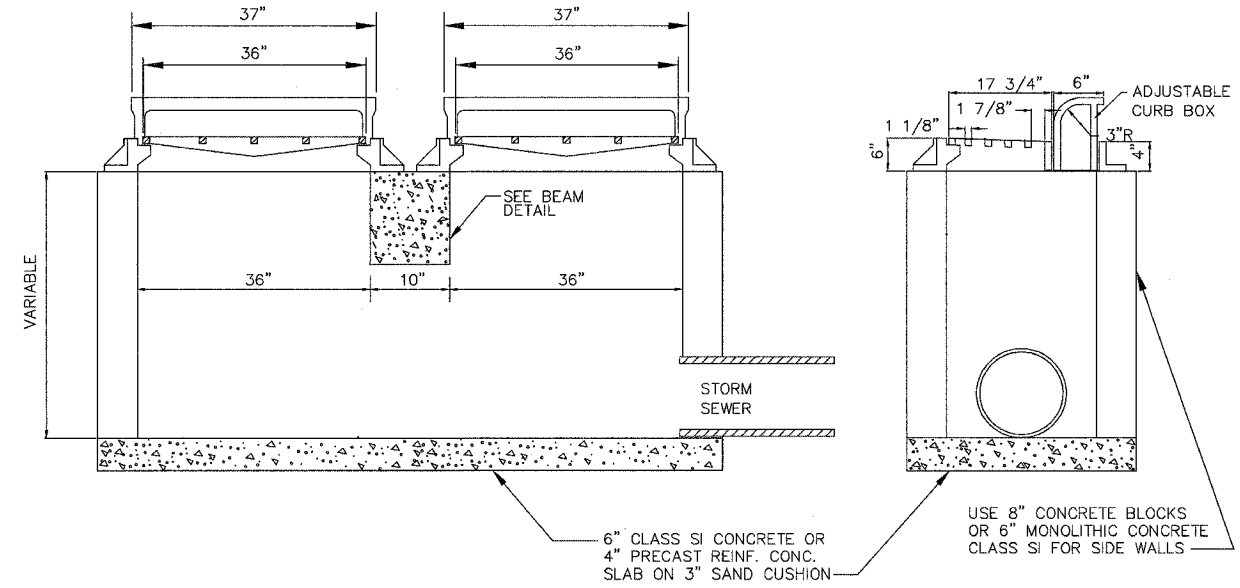
| F.A. R.T.E. | SECTION | COUNTY | TOTAL SHEETS | SHEET NO. |
|---------------------|----------------|-----------|------------------|-----------|
| 303 | 03-00520-00-WR | WINNEBAGO | 254 | 200 |
| STA. | | TO STA. | | |
| FED. ROAD DIST. NO. | | ILLINOIS | FED. AID PROJECT | |

SPECIAL DETAILS



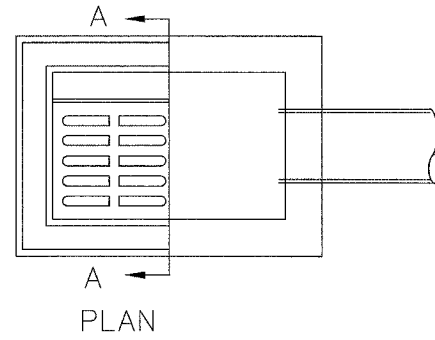
LONGITUDINAL SECTION

SECTION A-A

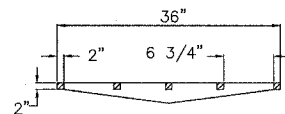


LONGITUDINAL SECTION

SECTION A-A

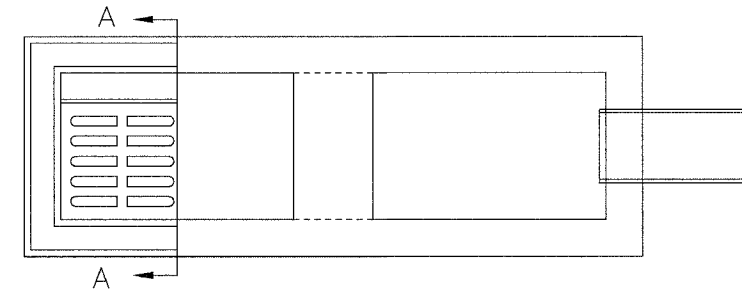


PLAN

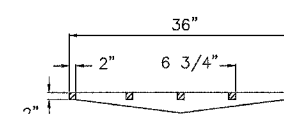


GRATE DETAIL

NOTE:
FRAME & GRATE SIMILAR OR EQUAL
NEENAH NO. R- 3246 APPROXIMATE
WEIGHT 500 LBS.

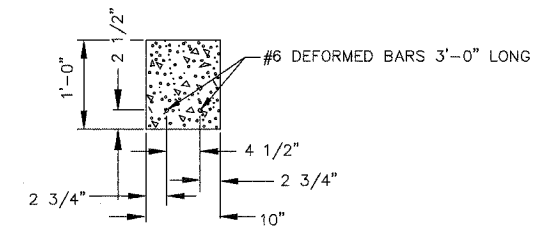


PLAN



GRATE DETAIL

NOTE:
FRAME & GRATE SIMILAR OR EQUAL
NEENAH NO. R- 3246 APPROXIMATE
WEIGHT 500 LBS.



BEAM DETAIL

STANDARD INLET TYPE 700

DOUBLE INLET TYPE 700