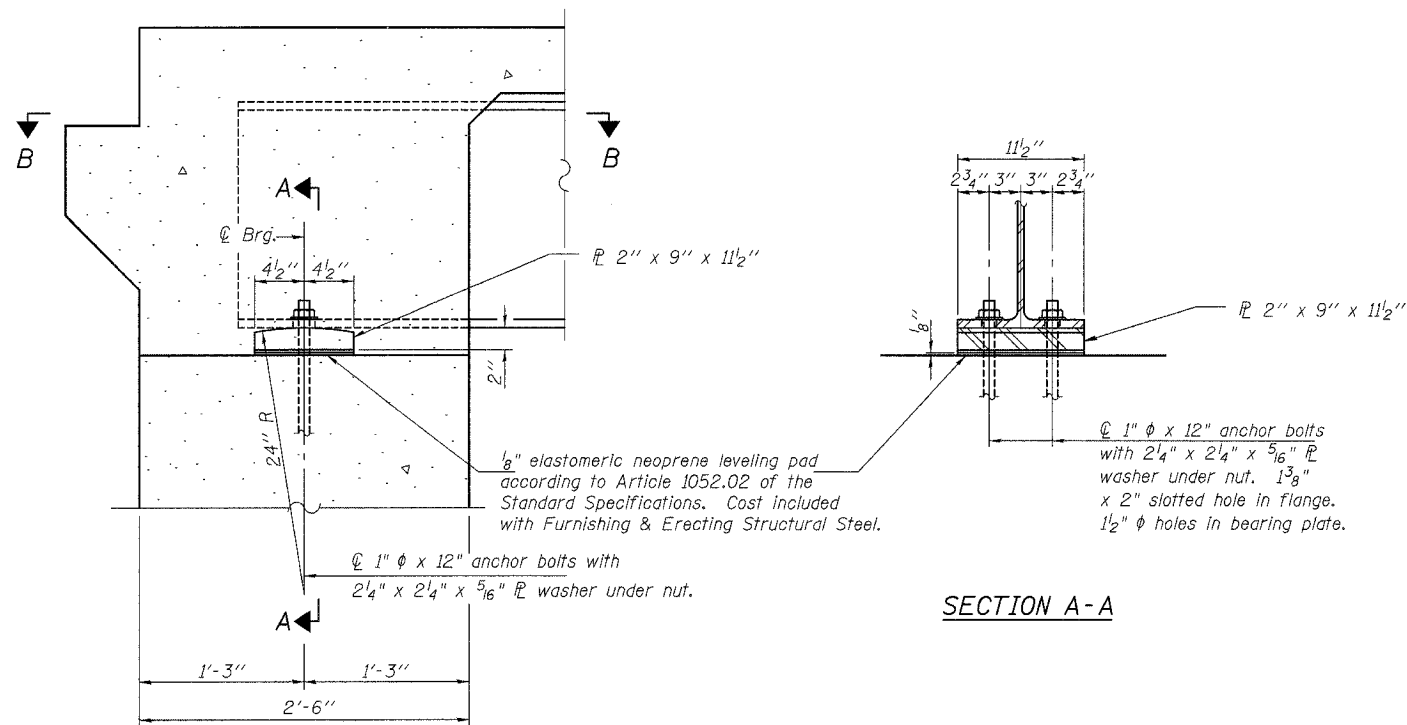


ROUTE NO.	SECTION	COUNTY	TOTAL SHEETS	SHEET NO.
FAS 622	04-00077-01-BR	SANGAMON	22	13
ILLINOIS PROJECT				

CONTRACT NO. 93414
Sheet 8 of 13



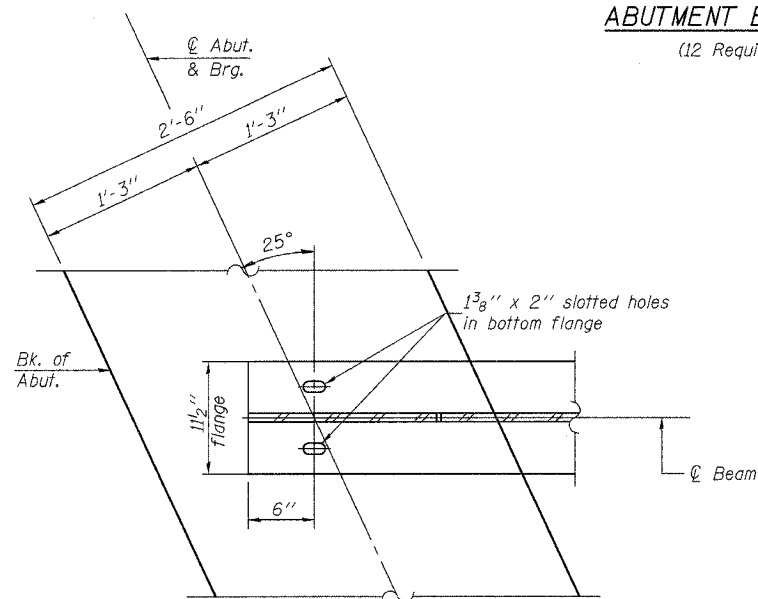
ELEVATION AT ABUTMENT

(Dimensions at Rt. L's)

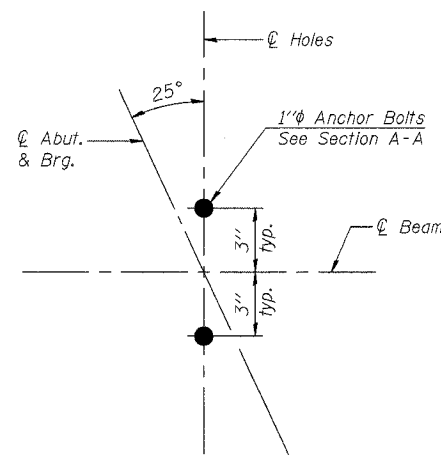
SECTION A-A

ABUTMENT BEARING

(12 Required)



SECTION B-B



ANCHOR BOLT LAYOUT AT ABUTMENTS

Notes:
Steel bearing plates shall be AASHTO M270, Grade 50W.

DESIGNED	Ruben V. Boehler
CHECKED	Tim S. Howard
DRAWN	Tim S. Howard
CHECKED	Michael D. Cummins

BEARING DETAILS

C.H. 15 OVER LITTLE SPRING CREEK
SECTION 04-00077-01-BR
SANGAMON COUNTY
STA. 45+35
S.N. 084-3407

CUMMINS ENGINEERING CORPORATION	JOB #: 2157
	FILE: 2157BRG
	DATE: 10/13/05