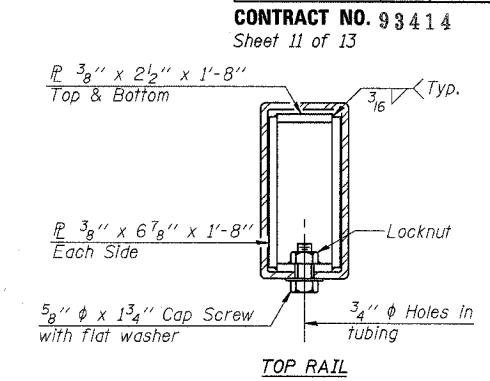
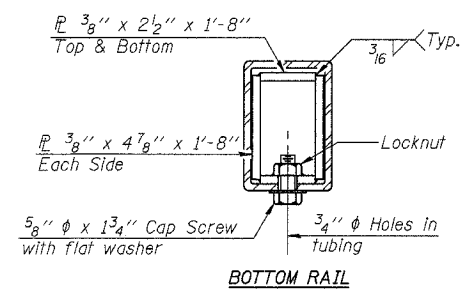
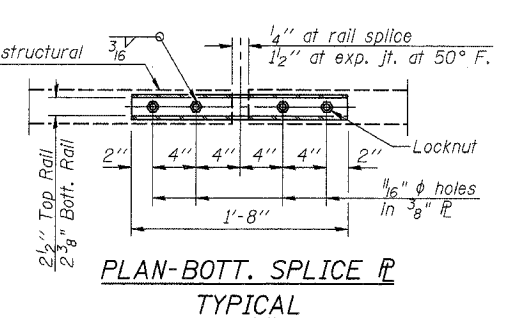
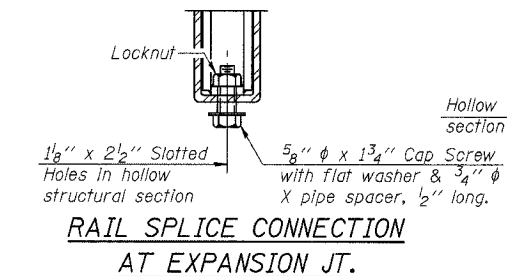
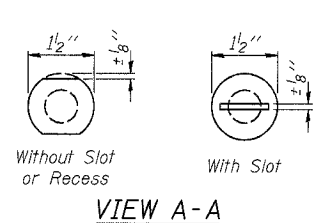
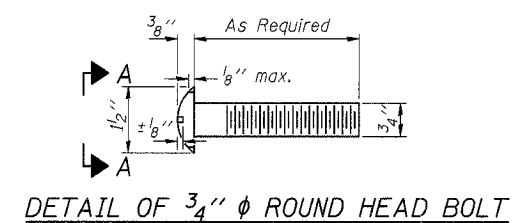
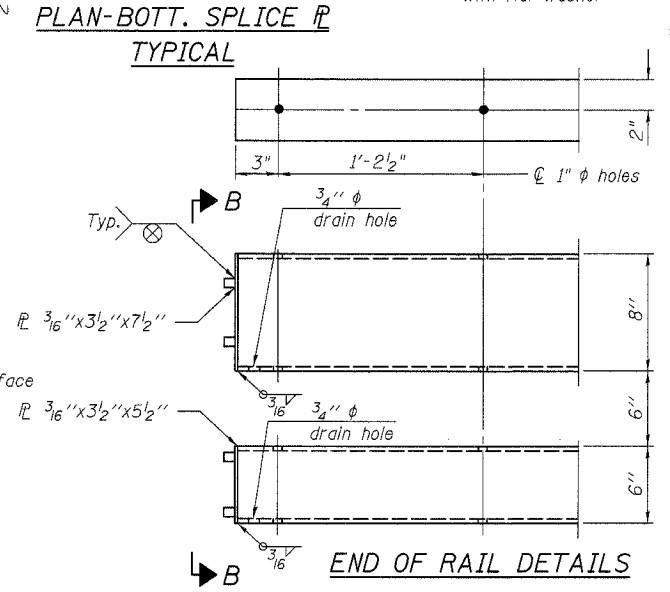
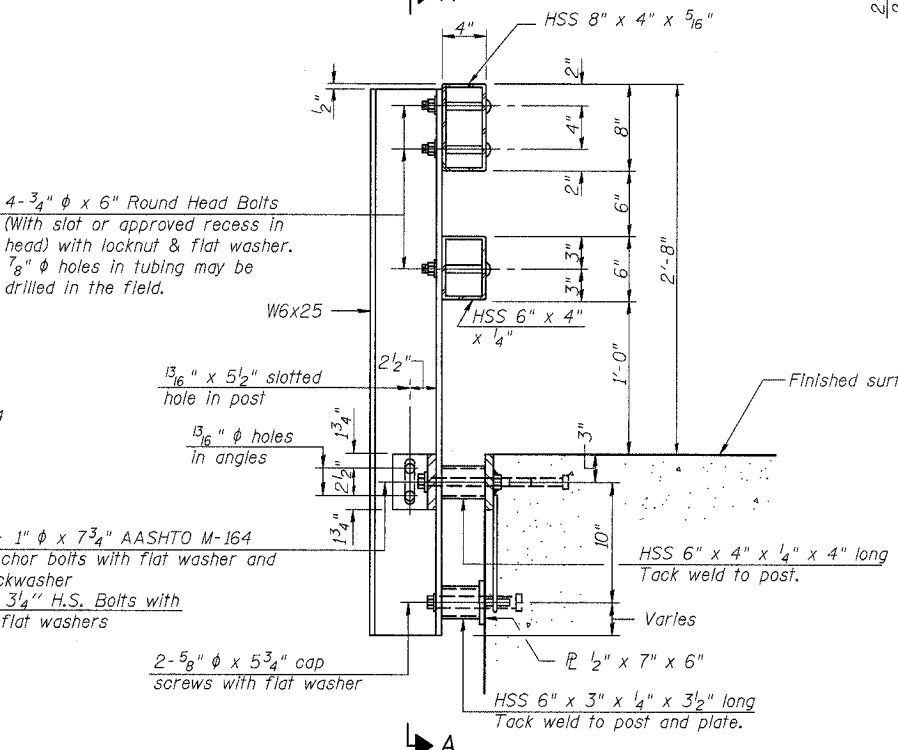
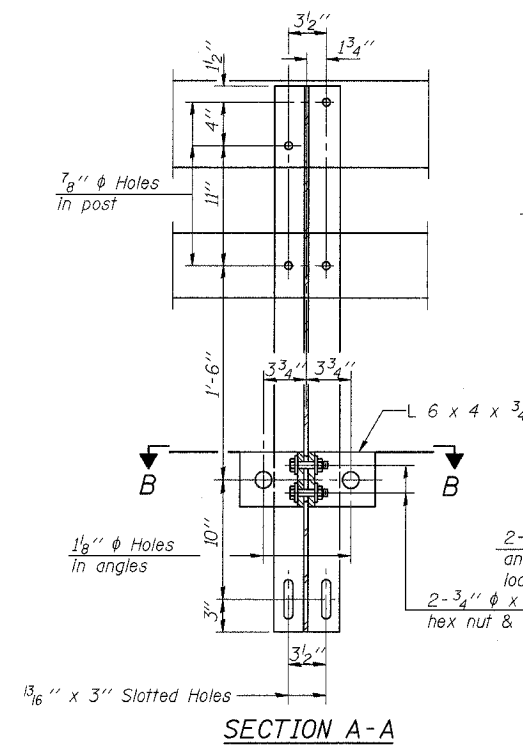


ROUTE NO.	SECTION	COUNTY	TOTAL SHEETS	SHEET NO.
FAS 622	04-00077-01-BR	SANGAMON	22	16
ILLINOIS PROJECT				

CONTRACT NO. 93414
Sheet 11 of 13



SECTIONS AT RAIL SPLICE



NOTES

Hollow structural sections shall conform to the requirements of ASTM designation A 500 Grade B Structural Steel Tubing and shall meet the longitudinal CVN requirements of 15 ft-lbs at 0° F.

All other steel shapes and plates shall conform to the requirements of AASHTO M 270 Grade 36 except posts and angles shall conform to AASHTO M 270, Grade 50.

Bolts, cap screws, and nuts shall conform to the requirements of ASTM designation A 307 except for high strength bolts, nuts and washers noted which shall conform to AASHTO M 164.

All bolts, nuts, cap screws, washers and lock washers shall be galvanized according to AASHTO M 232.

All posts, railing, rail splices, anchor devices and angles shall be galvanized after shop fabrication according to AASHTO M 111 and ASTM A 385. Galvanized rail shall not be painted.

Railing shall be according to Section 509 of the Standard Specifications, except as noted, and will be paid for at the contract unit price per foot for Steel Bridge Rail, Type SM.

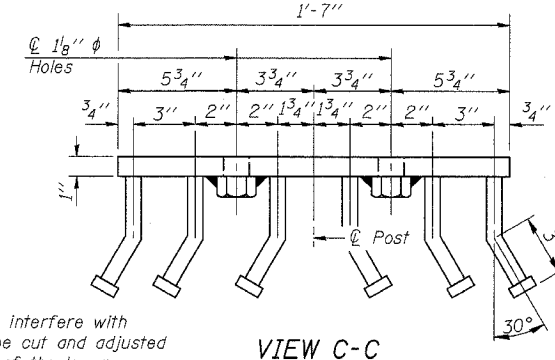
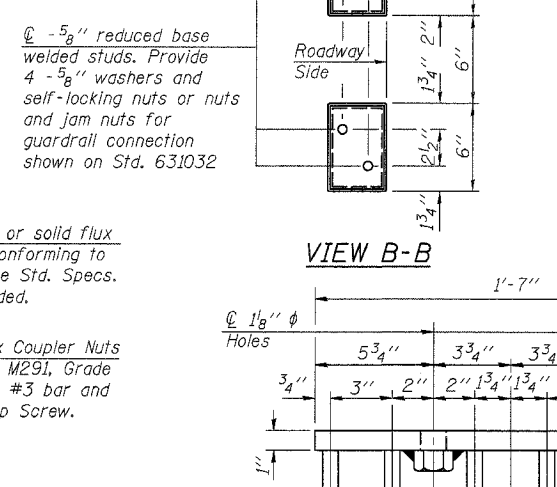
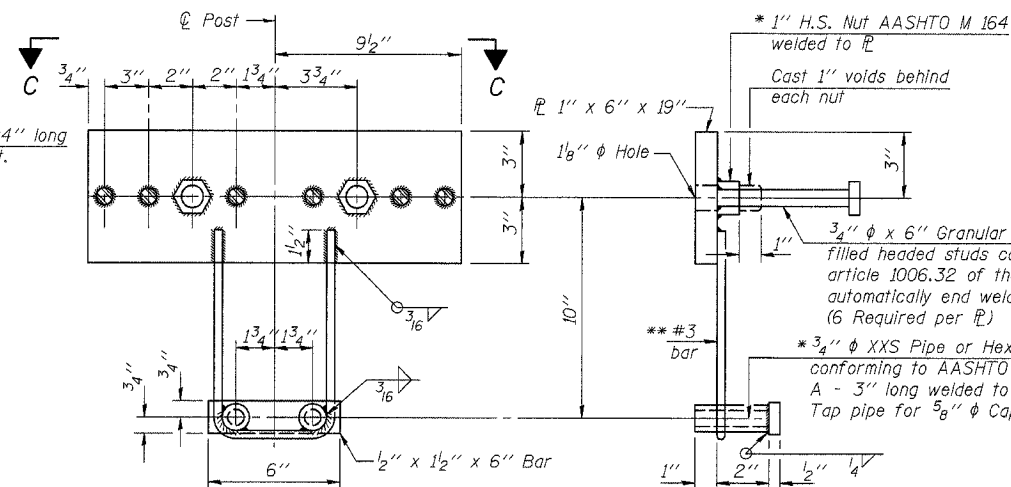
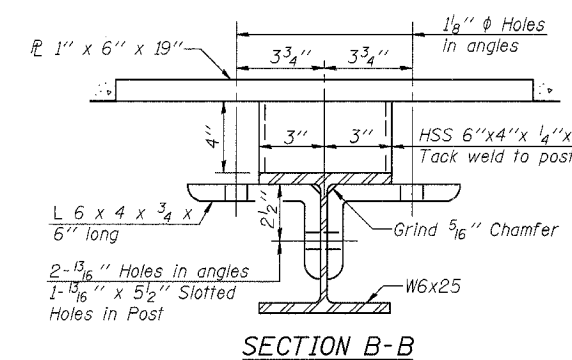
All field drilled holes shall be coated with an approved zinc rich paint before erection.

For multi-span bridges, sufficient 1/4" x 6" x 1'-2" galvanized steel shims shall be provided to align rail between adjacent spans. Cost included with Steel Bridge Rail, Type SM.

The 1/2" x 7" x 6" plates that come in contact with concrete shall receive two coats of asphalt paint conforming to Section 1060.07 Type II or place 1/8" fabric bearing pads between the plates and concrete.

The 3/4" high strength bolts used to connect the 6 x 4 x 3/4 angles to the post shall be tightened according to Article 505.04(f)(2) of the Standard Specifications. The 1" high strength bolts connecting the angles to the concrete shall be tightened to a snug fit and given an additional 1/8 turn. The 5/8" cap screws in bottom of posts shall be tightened to a snug fit only.

For rail post spacing, see sheet 5 of 13.



BILL OF MATERIAL

Item	Unit	Quantity
Steel Bridge Rail, Type SM	Foot	146

**TYPE SM
STEEL BRIDGE RAIL SIDE MOUNTED**
C.H. 15 OVER LITTLE SPRING CREEK
SECTION 04-00077-01-BR
SANGAMON COUNTY
STA. 45+35
S.N. 084-3407

DESIGNED Ruben V. Boehler
CHECKED Tim S. Howard
DRAWN Tim S. Howard
CHECKED Michael D. Cummins
R-34

10-22-04 (6'-3" Maximum Post Spacing)

* Threaded areas shall be plugged or blocked off during casting of beam. Galvanized after fabrication.

** Whenever the lower insert assemblies interfere with strand locations, the #3 bars shall be cut and adjusted in order to allow raising or lowering of the lower inserts. Maximum adjustment not to exceed 1/2".

CUMMINS ENGINEERING CORPORATION
JOB #: 2157
FILE: 2157RAILSM
DATE: 10/13/05